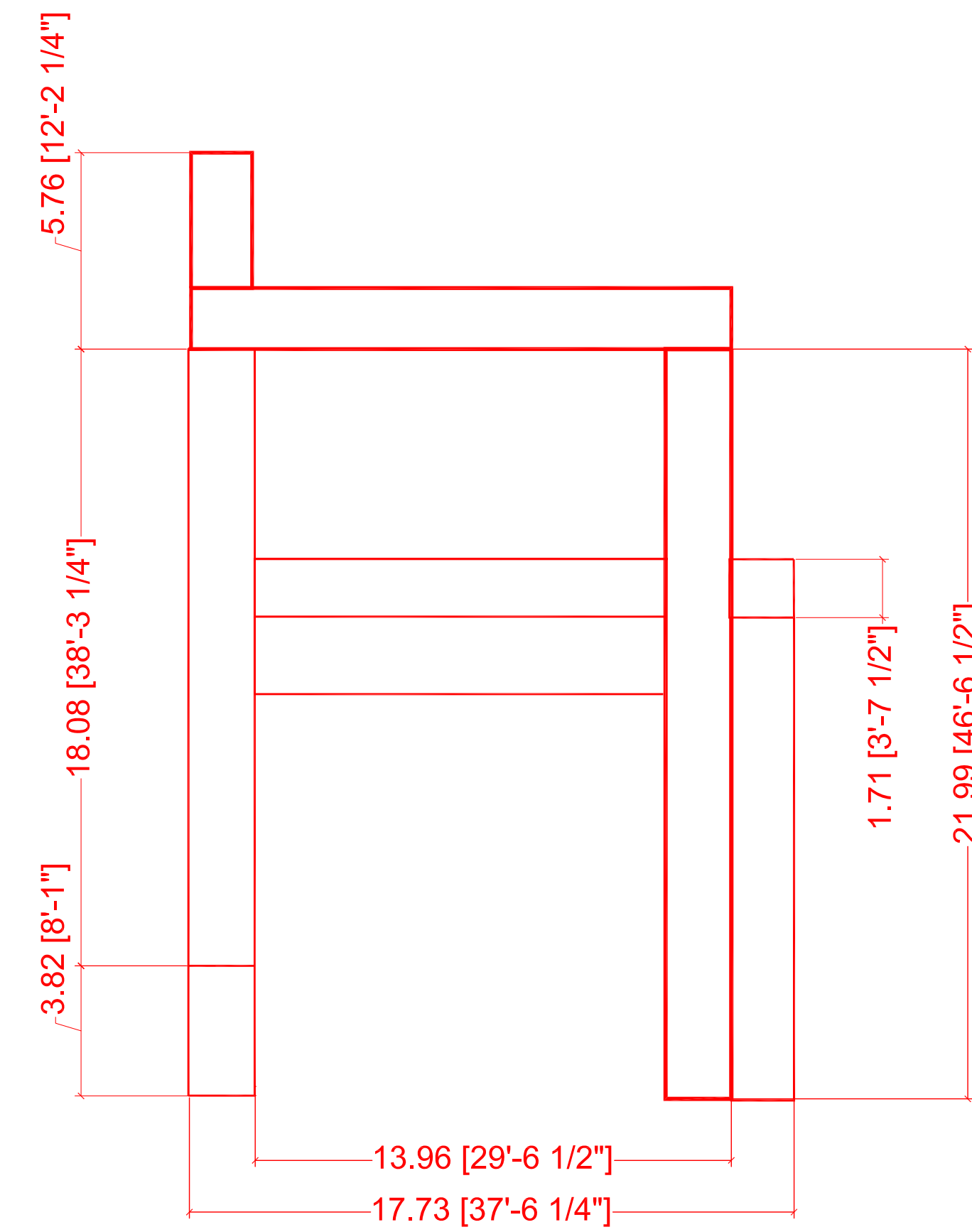
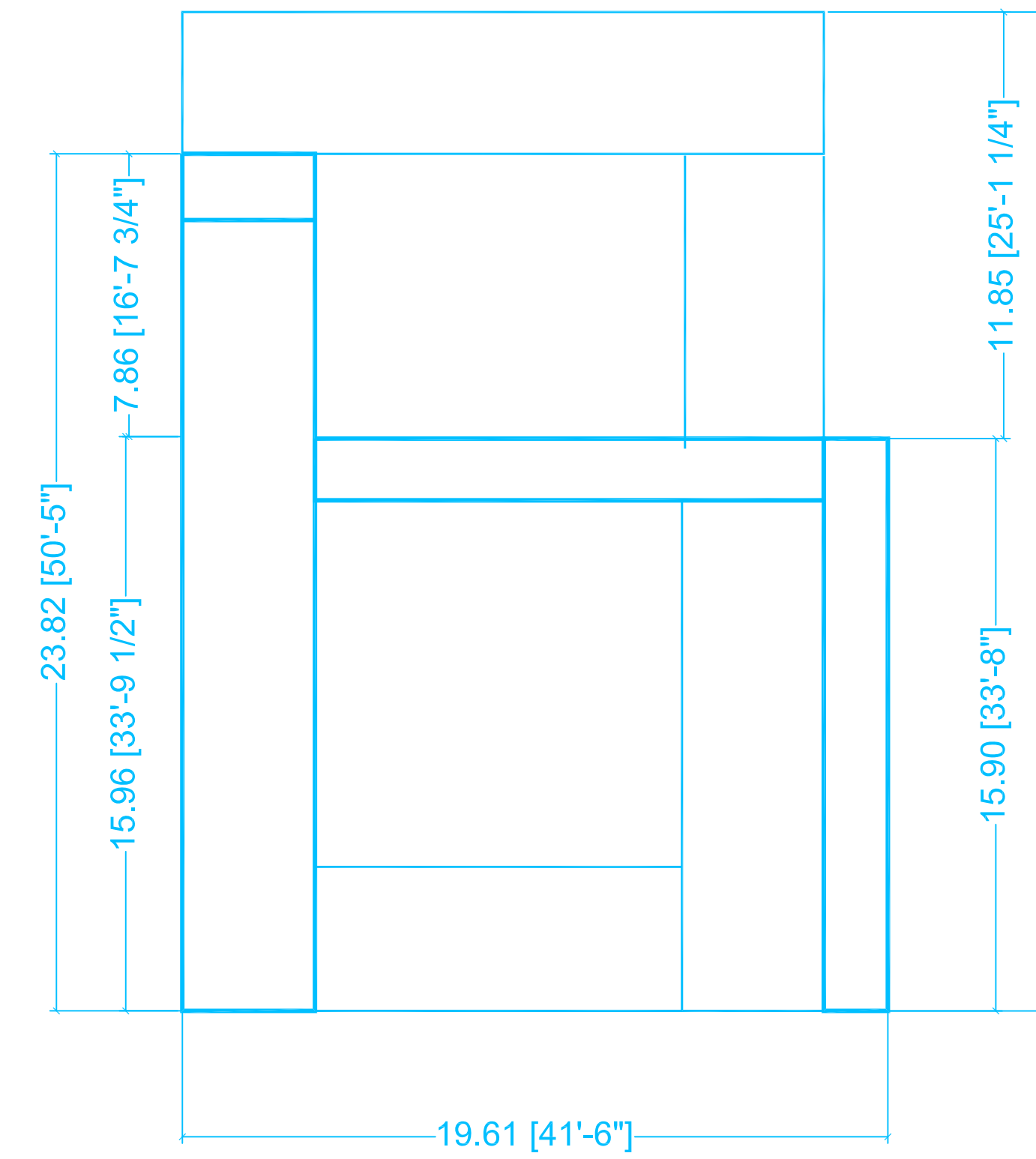


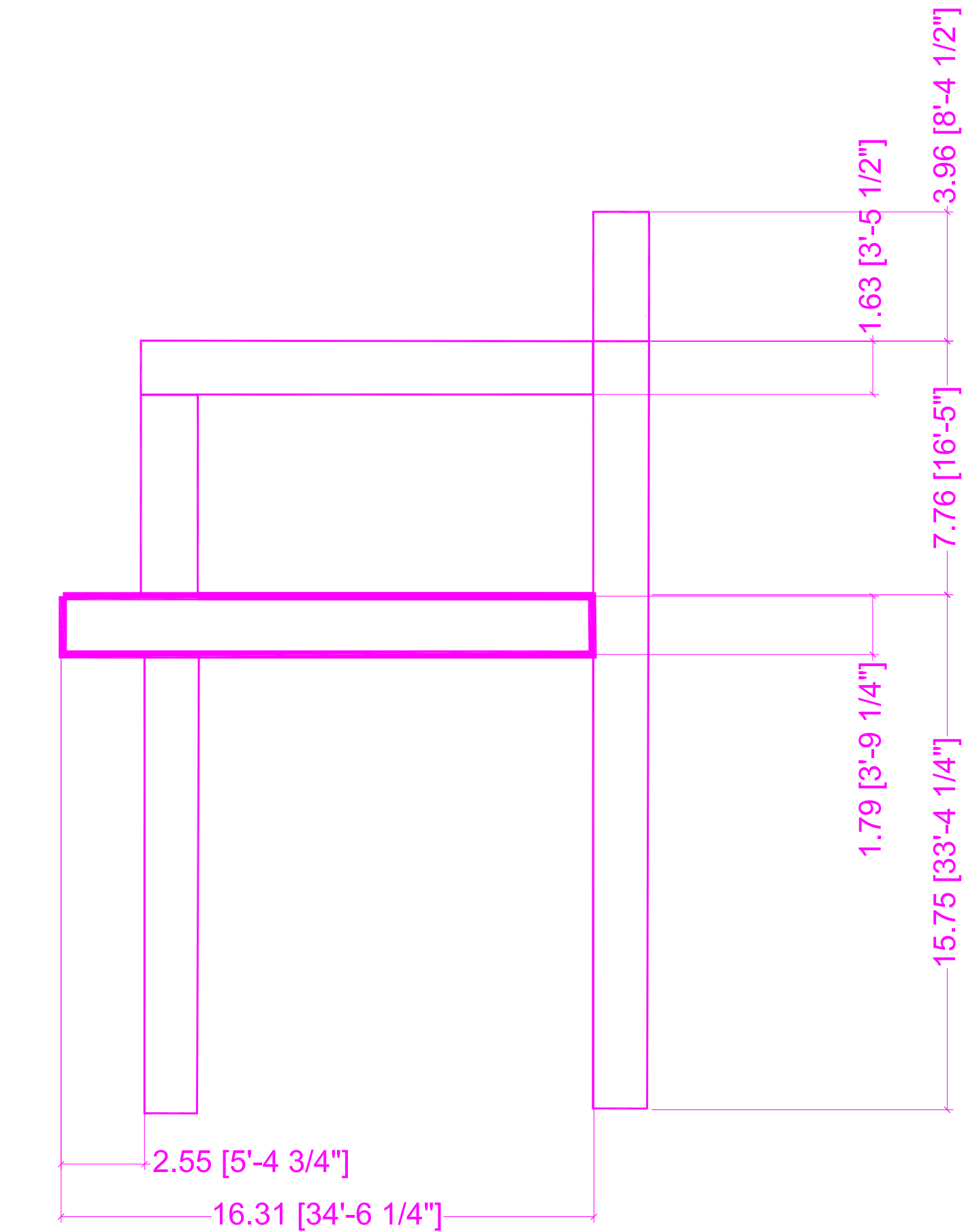
6 RENDERING
A-100.00 NOT TO SCALE



3 RIGHT ELEVATION
A-100.00 DRAWING SCALE (1/4"= 1'-0")

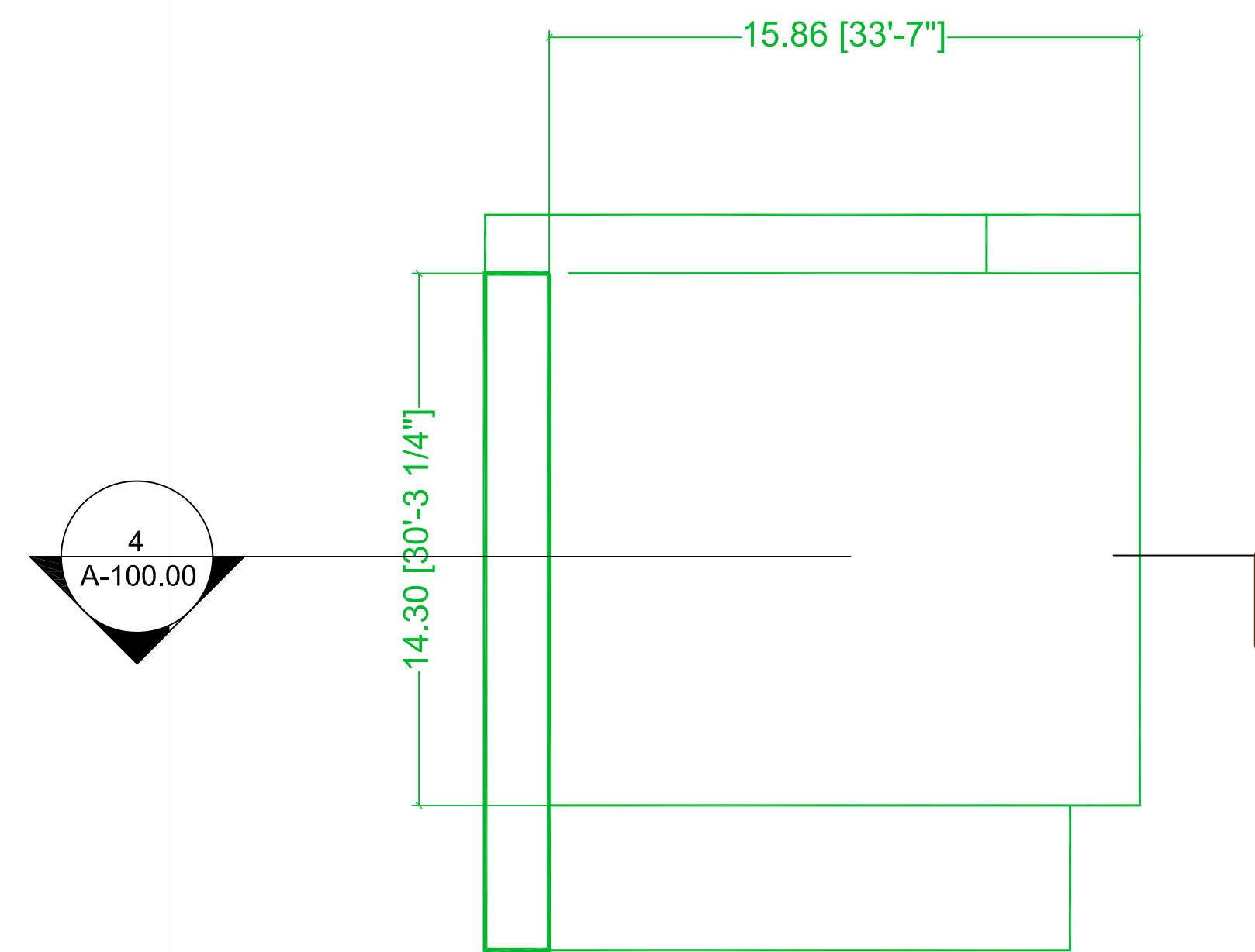


2 FRONT ELEVATION
A-100.00 DRAWING SCALE (1/4"= 1'-0")

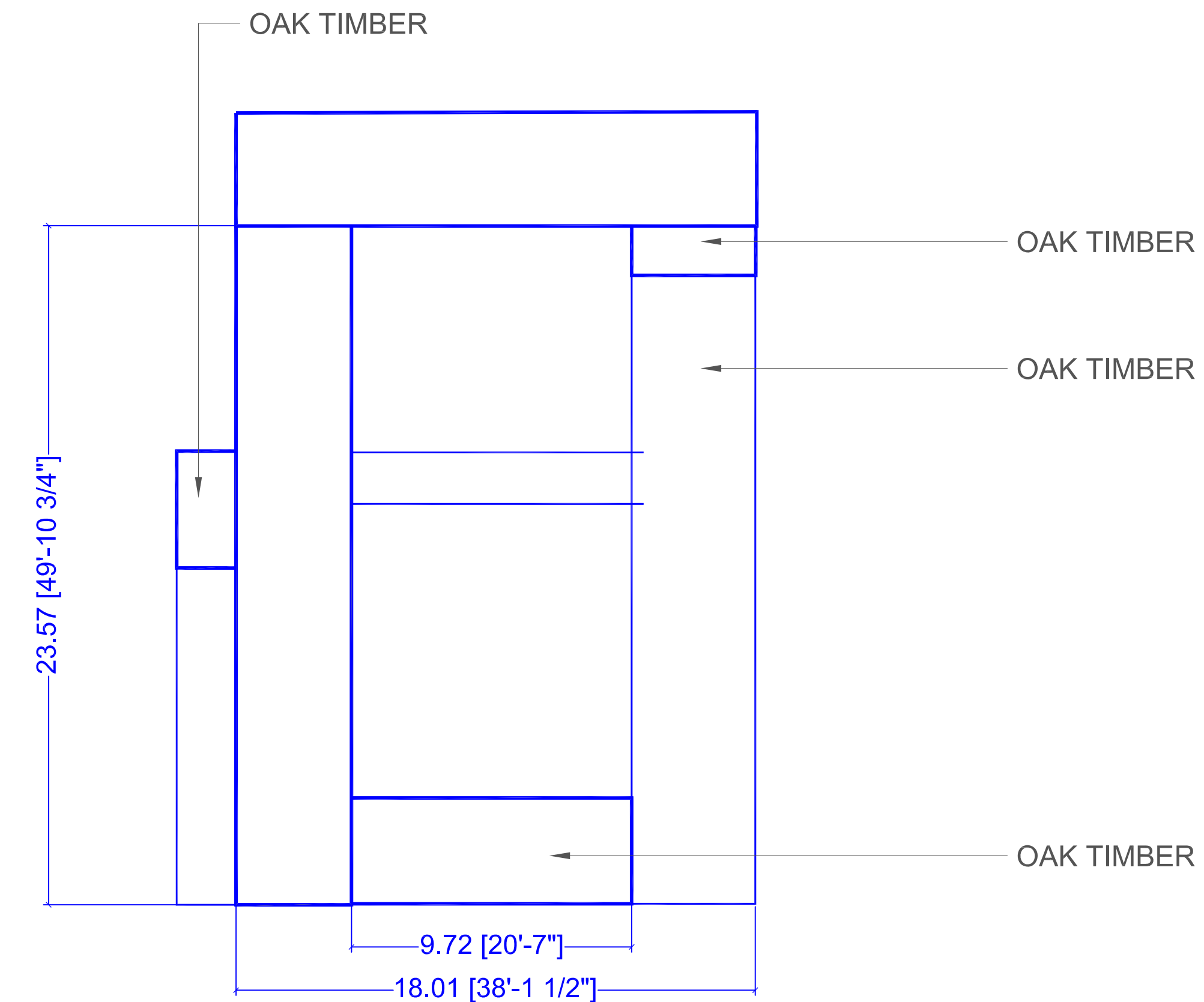


4 SECTION
A-100.00 DRAWING SCALE (1/4"= 1'-0")

The stunning 1963 Steltman Chair was originally commissioned by Steltman jewelers in The Hague, as seating for betrothed couples perusing wedding rings. Rietveld's symmetrical chairs are each made up of three right-angled elements that seemingly stand on top of or against each other.



1 PLAN
A-100.00 DRAWING SCALE (1/4"= 1'-0")



5 BACK ELEVATION
A-100.00 DRAWING SCALE (1/4"= 1'-0")

PROJECT:
ARCH 1230
CITYTECH / INSTRUCTOR T.WU / 2015 FALL

DWG TITLE:
ASSIGNMENT 1
GERRIT RIETVELD STELTMAN CHAIR

SEAL & SIGNATURE

DATE: 2015 09 09
PROJECT NO. 1230 A
DRAWING BY: IRINA MIKHAIK
CHK BY: TOM WU
DWG NO: A - 100.00