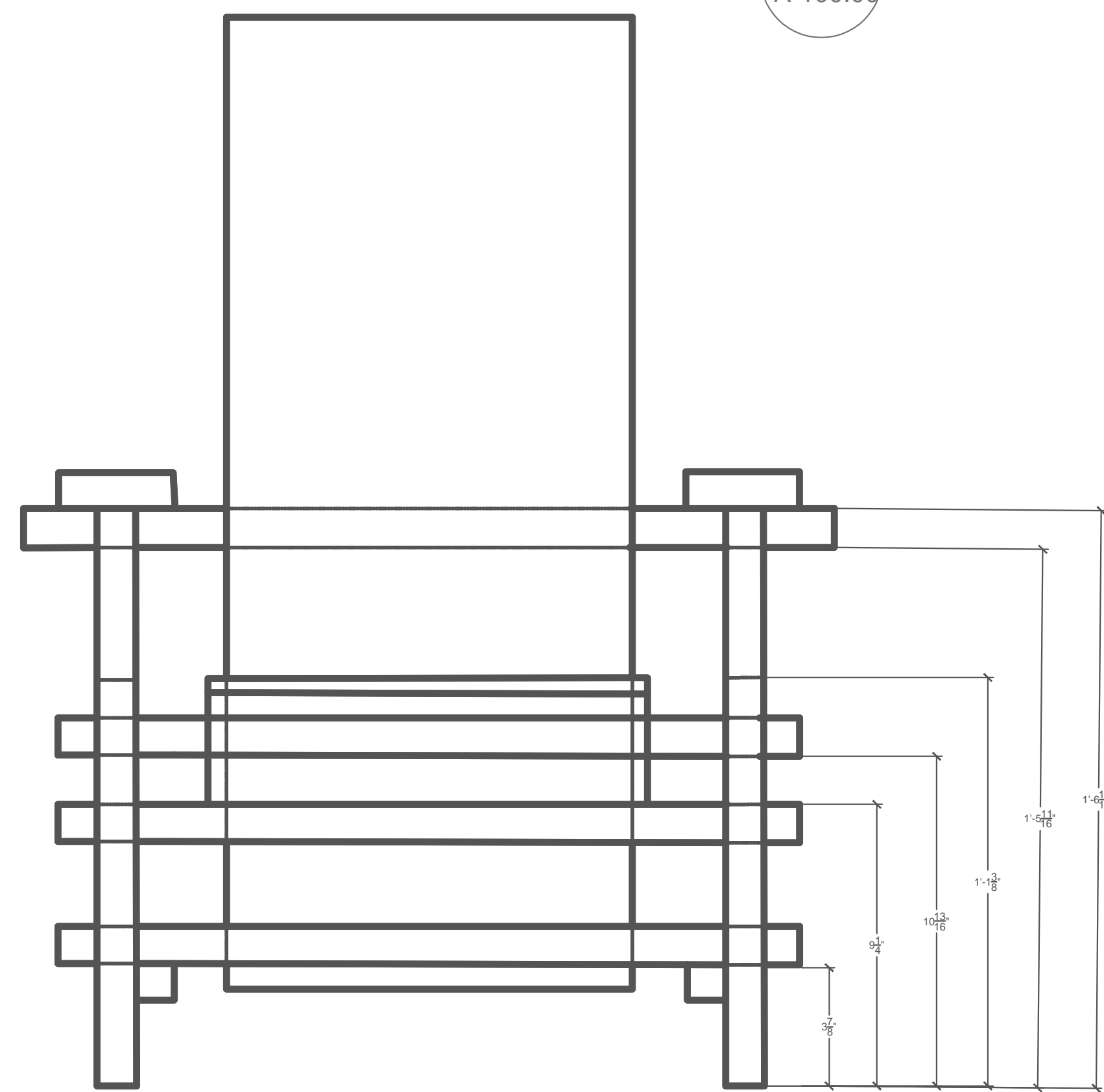


The Red & Blue Chair

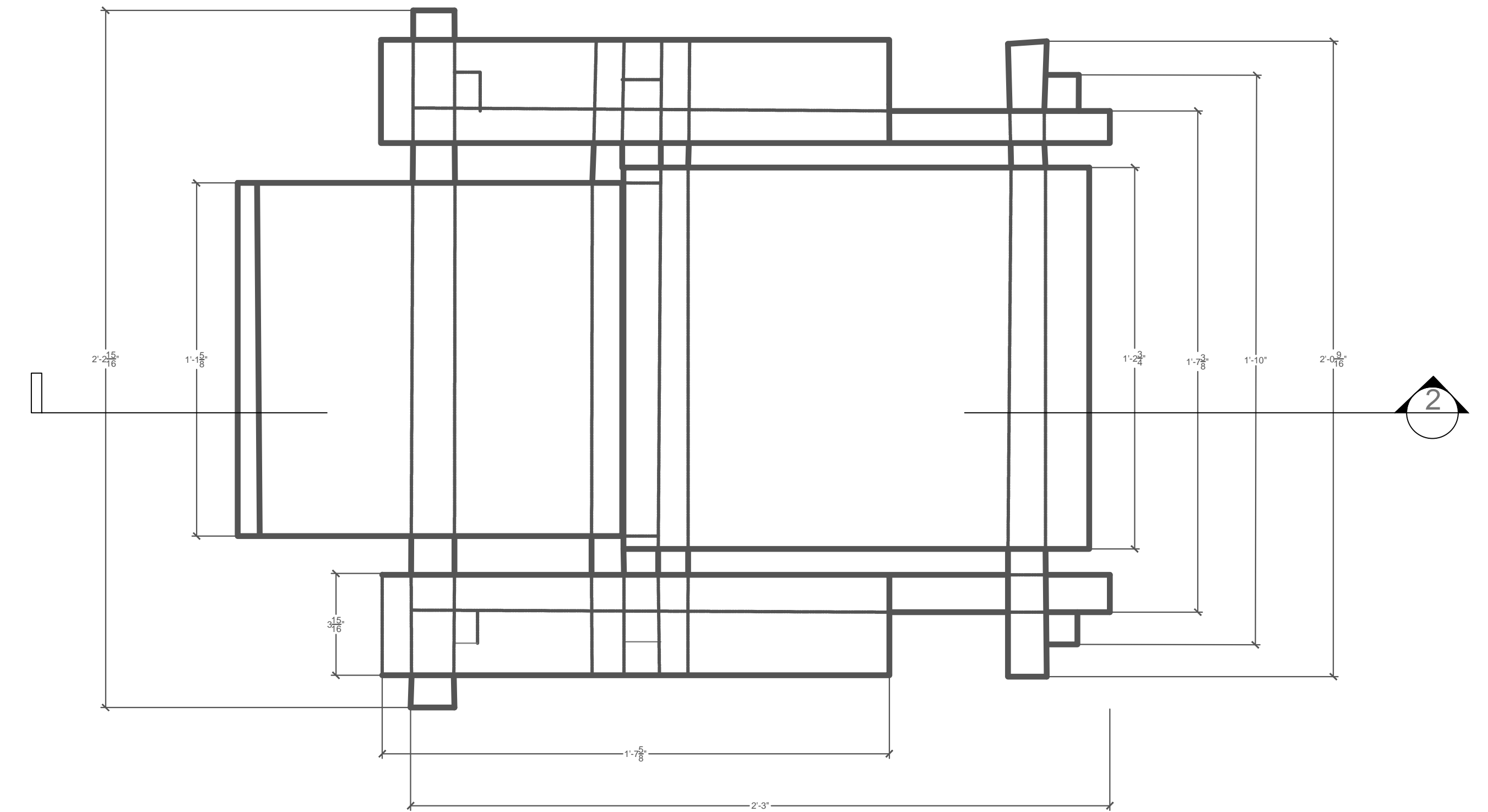
Created by Gerrit Rietveld between 1917-1918, the chair is created out of Rectilinear Planes and Linear Planes systems.



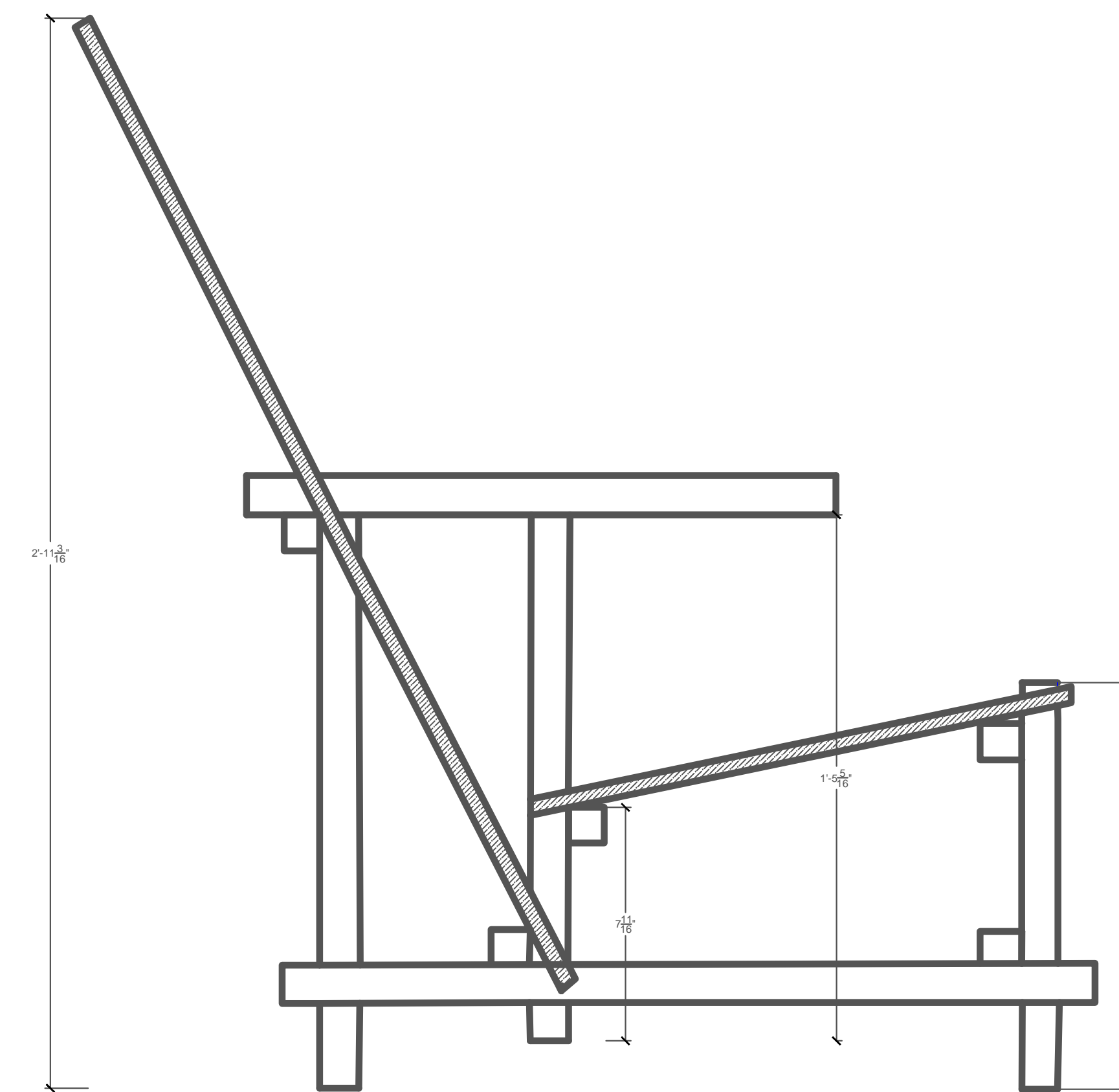
3 Rendering
A-100.00



4 Front Elevation
A-100.00



1 Plan
A-100.00



2 Section
A-100.00

PROJECT:
ARCH 1230
CITYTECH / INSTRUCTOR T.WU / 2015 FALL

DWG TITLE:
ASSIGNMENT A
DRAWING TITLE(S)

SEAL & SIGNATURE	DATE: 2015 09 11
	PROJECT NO: 1230_A
	DRAWING BY: Emani Ennover
	CHK BY: T.W.
	DWG NO: A-100.00

CADD FILE NO: arch1230_wi_2015_HH_Ennover_Emani _dwg1 A.dwg	PAGE: 1 of 1
---	------------------------