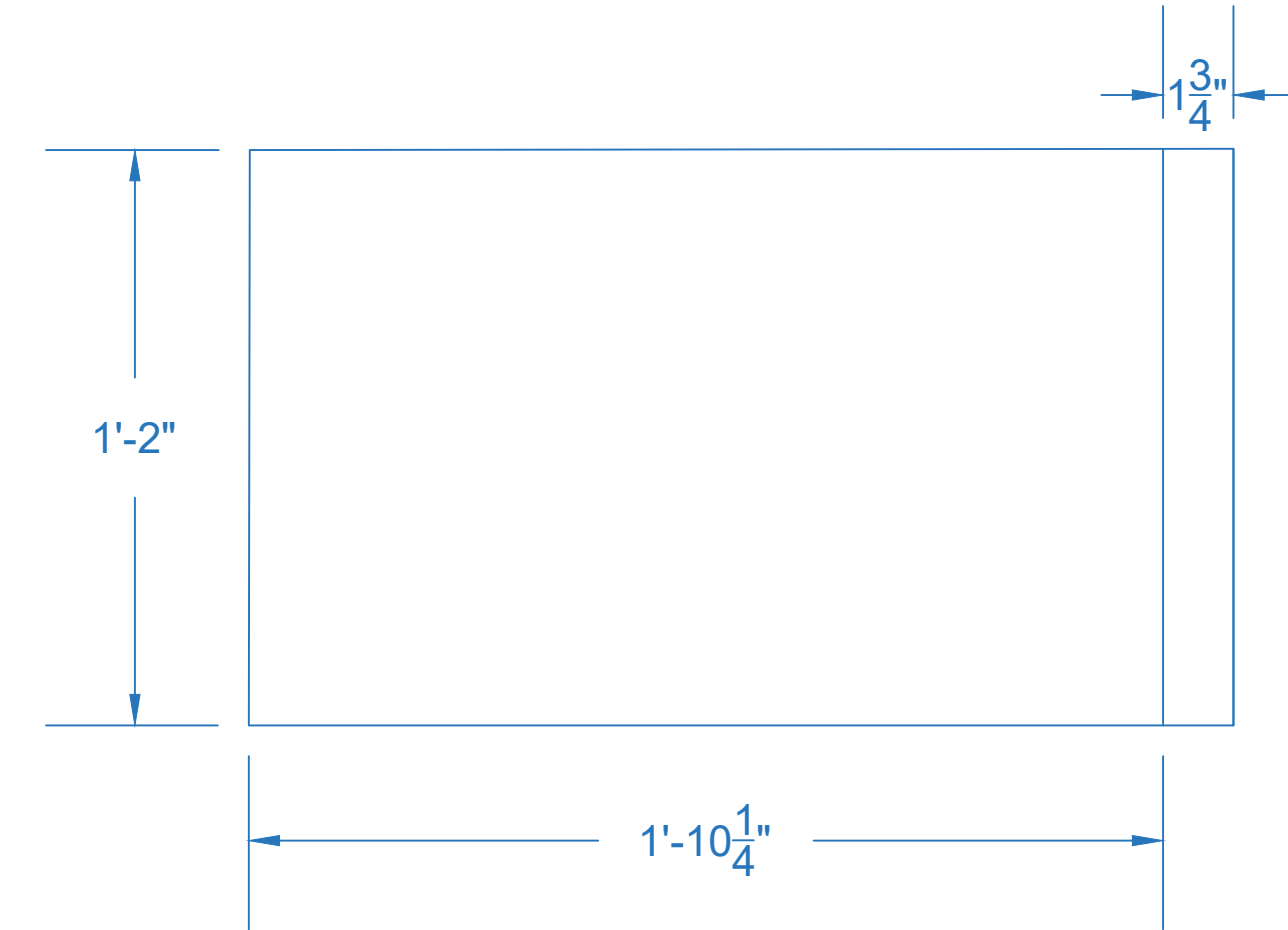


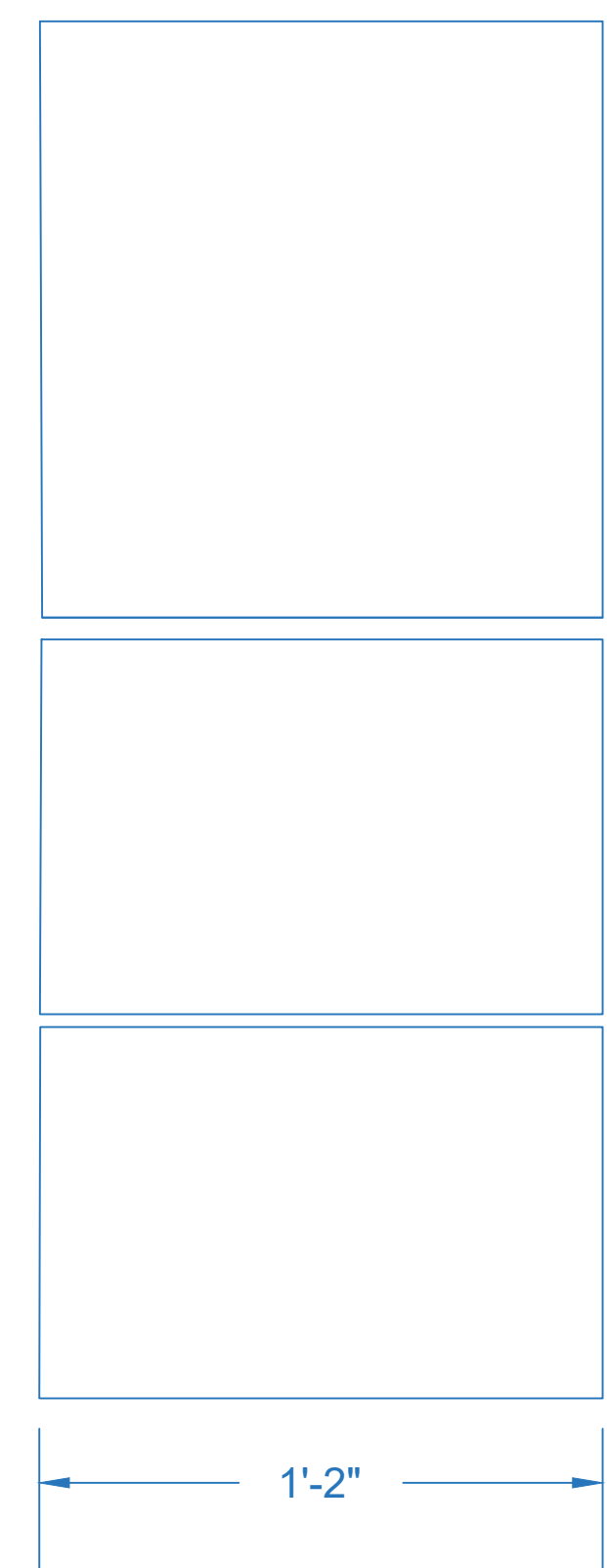
3 RENDERING
A-100.00 NOT TO SCALE



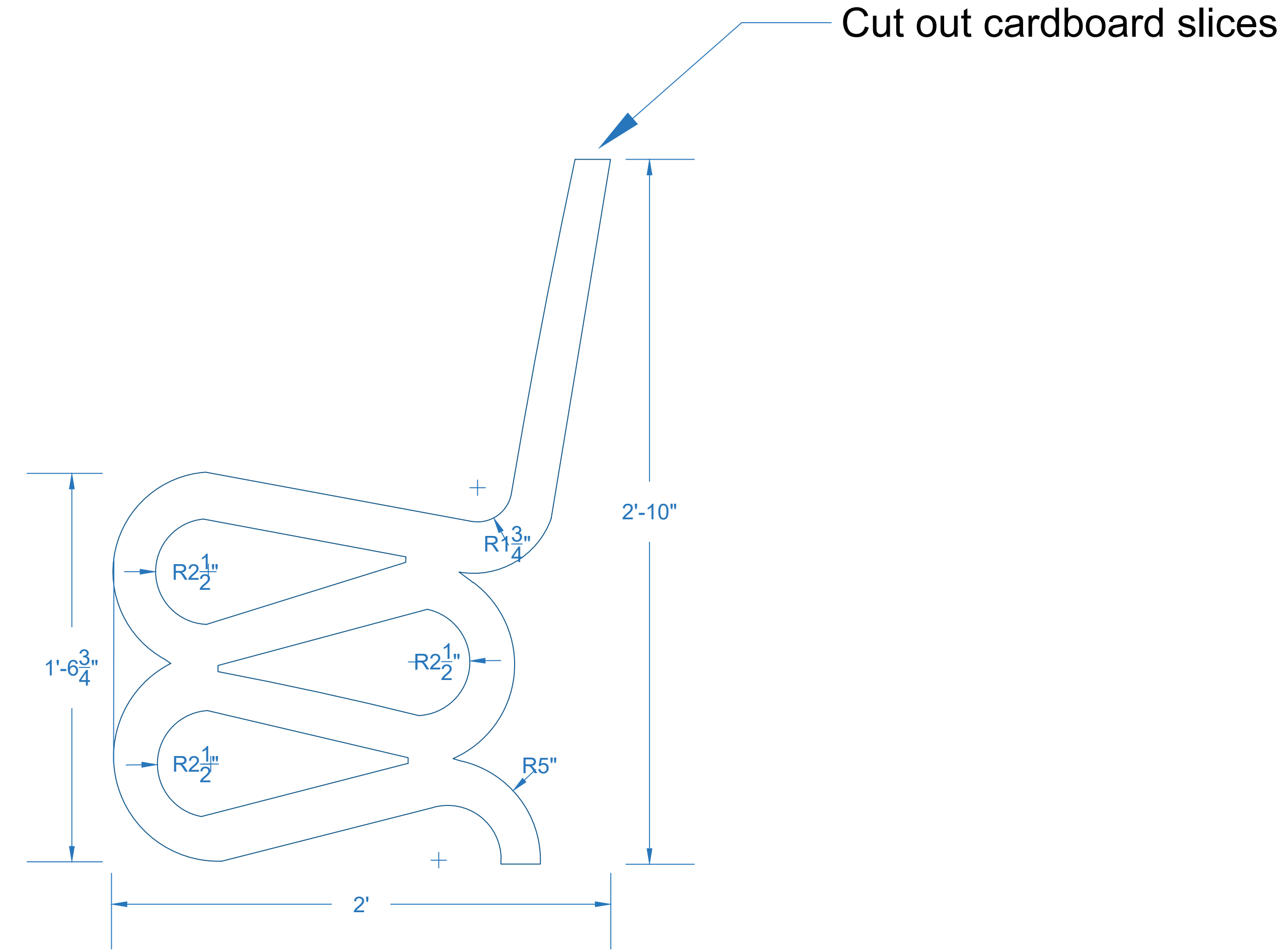
1 PLAN
A-100.00 DRAWING SCALE 3"= 1'-0"

PROJECT DESCRIPTION

This is the Frank Gehry Wiggle chair. It was designed as a part of easy edges furniture series from 1969-1973. The simple but distinctive design is made out of cardboard slices bounded together side by side, allowing it to be made into everyday use. Although the wiggle chair may seem simple, it is in fact a stable design with a soft touch, something unexpected from a material such as cardboard.



4 FRONT ELEVATION
A-100.00 DRAWING SCALE 3"= 1'-0"



2 SECTION
A-100.00 DRAWING SCALE 3"= 1'-0"

PROJECT: ARCH 1230 CITYTECH / INSTRUCTOR T.WU / 2015 FALL	
DWG TITLE: ASSIGNMENT 1 FRANK GEHRY WIGGLE CHAIR	
SEAL & SIGNATURE	DATE: 2015 09 10
	PROJECT NO: 1230_1
	DRAWING BY: DAWID MIAZGA T.W.
	CHK BY:
	DWG NO: A-100.00
CADD FILE NO: arch1230_wu_2015_fall_miazga_drawing_assignment_1.dwg	PAGE: 1 of 1