

NOTAS:
1. REFERIR A LA PAGINA EO-A412 PARA PLANTA DE PLAFONES
2. REFERIR A LA PAGINA EO-A630 PARA ALTURAS GENERALES DE MONTAJE Y GUÍAS DE ACCESIBILIDAD
3. REFERIR A LA PAGINA EO-A412 PARA RCP'S
4. REFERIR TO SHEET EO-G022 FOR GENERAL MOUNTING HEIGHTS AND ACCESSIBILITY GUIDELINES

MODIFICACIONES:

No.	Descripción	Fecha
1	DOCUMENTOS DE CONSTRUCCIÓN	14 SEPT 2012
1	AGENDA 1	23 OCTUBRE 2012

PROPIETARIO
APLICA TECNOLOGIA AVANZADA, S.A. DE C.V.

REPRESENTANTE LEGAL DE APLICACION
TECNOLOGIA AVANZADA, S.A. DE C.V.
ING. ROOFO MEDINA ROSAS

DIRECTOR DEL PROYECTO
ARG. JAIME M. LEWIS DELGADO

PERTO RESPONSABLE DE OBRA PRIVADA No. 192/1907
DR. HUGO GARCIA PEREZ

EMITIDO PARA:
PAQUETE DE EDIFICIO DE OFICINAS
OFFICE WING PACKAGE

PLANO:

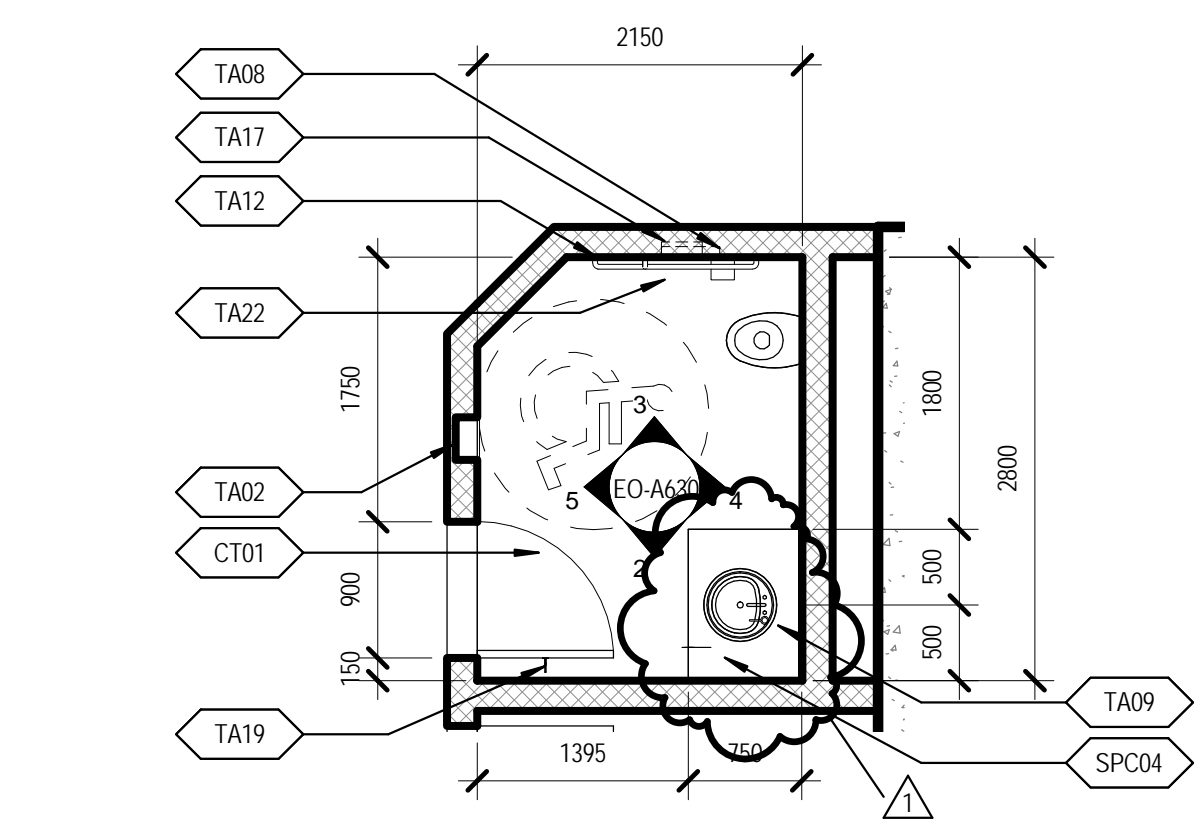
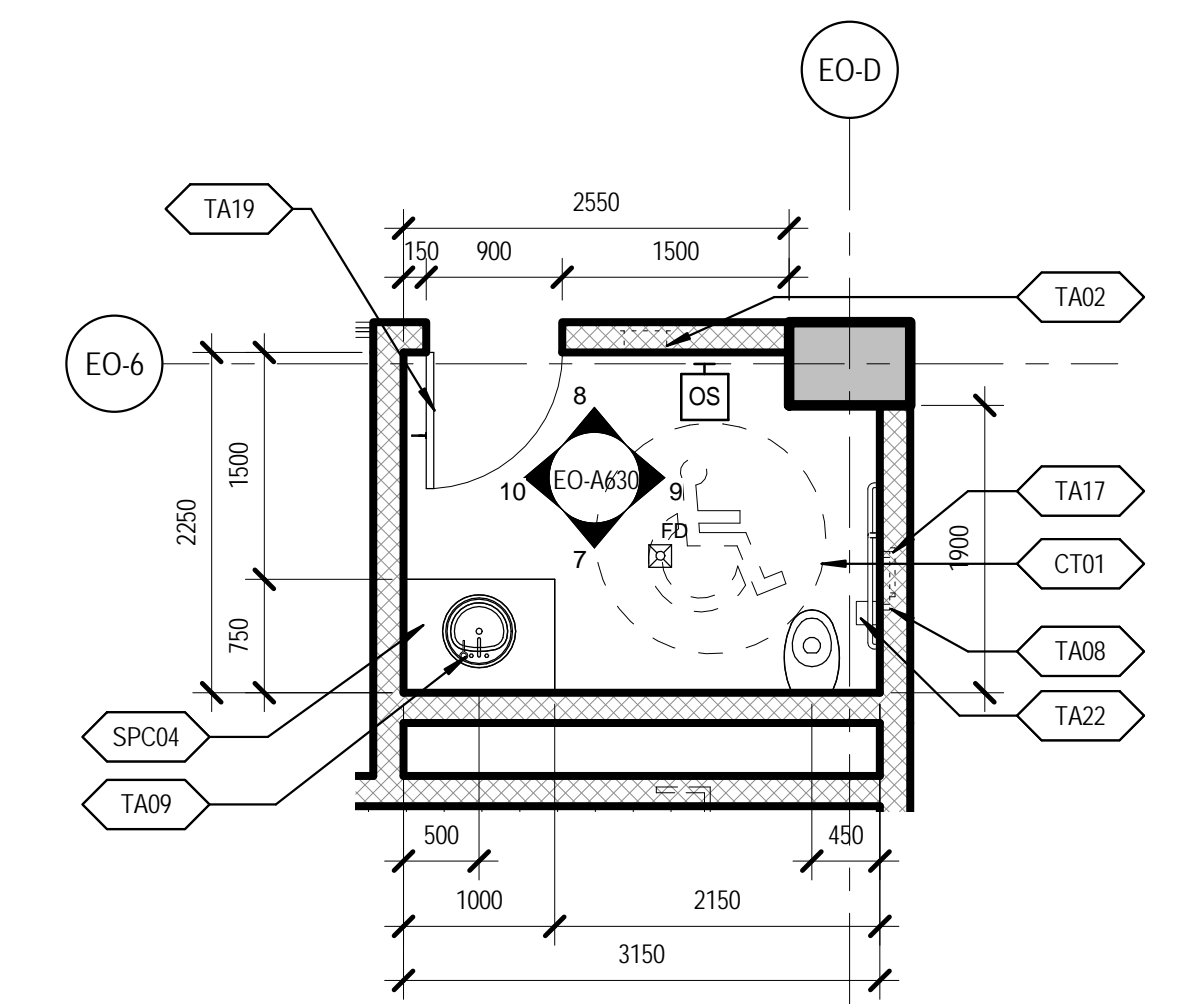
PLANTA & ELEVACIONES INTERIORES SANITARIOS SOTANO

TOILET ROOM PLAN & INTERIOR ELEVATIONS S1

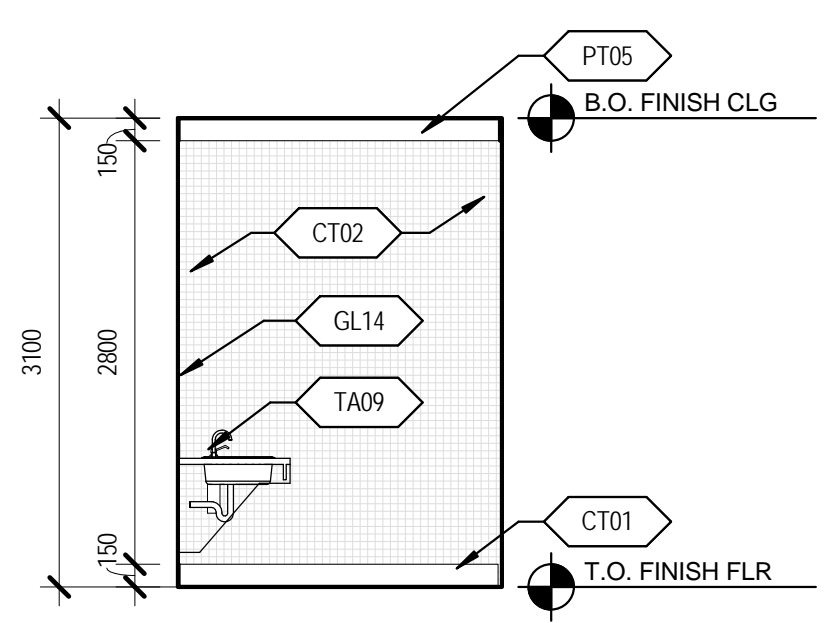
Copyright © 2012, Skidmore, Owings & Merrill LLP

CLAVE:
EO-A630

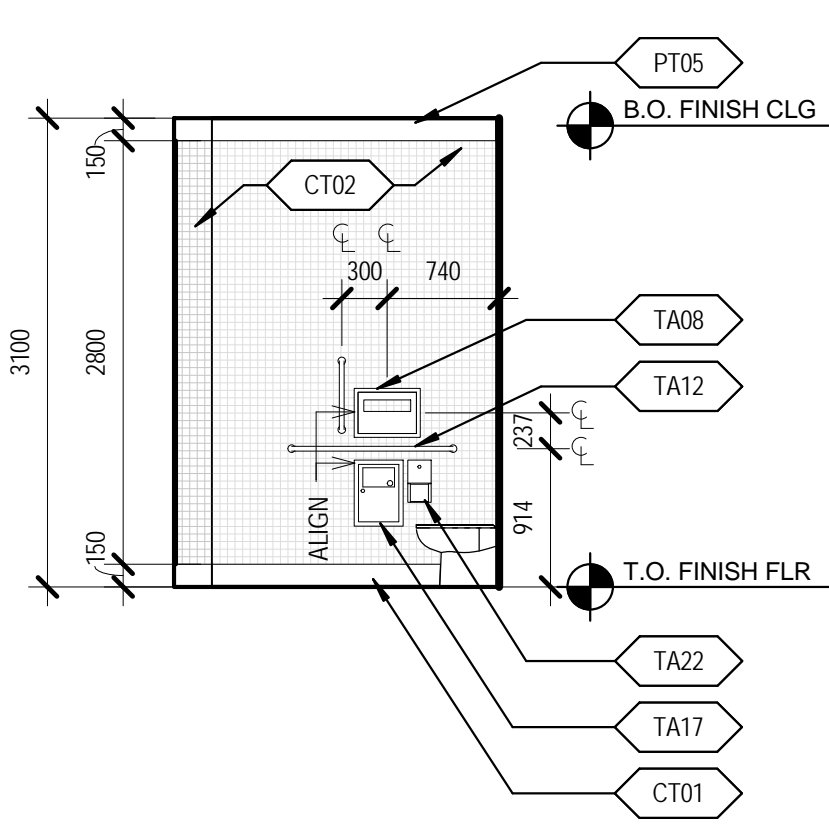
REVISOR	YR	FECHA
SP		14, SEPTIEMBRE 2012



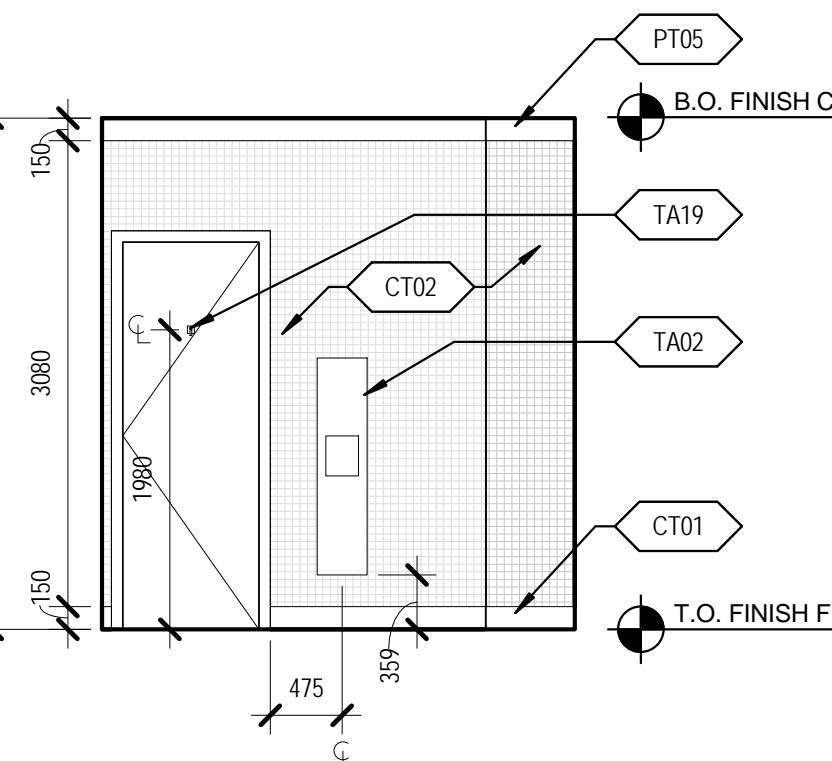
10 ELEVACION OESTE - WC (SUR) NIVEL S1
WEST ELEVATION - BTHRM. (SOUTH) - L S1
1:50



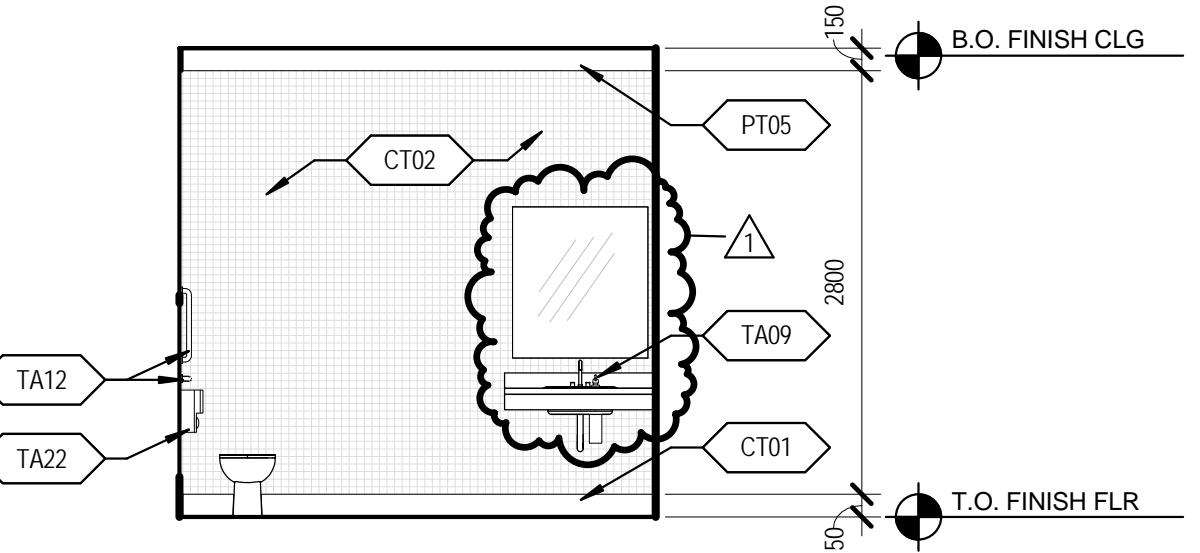
9 ELEVACION ESTE - WC (SUR) NIVEL S1
EAST ELEVATION - BTHRM. (SOUTH) - L S1
1:50



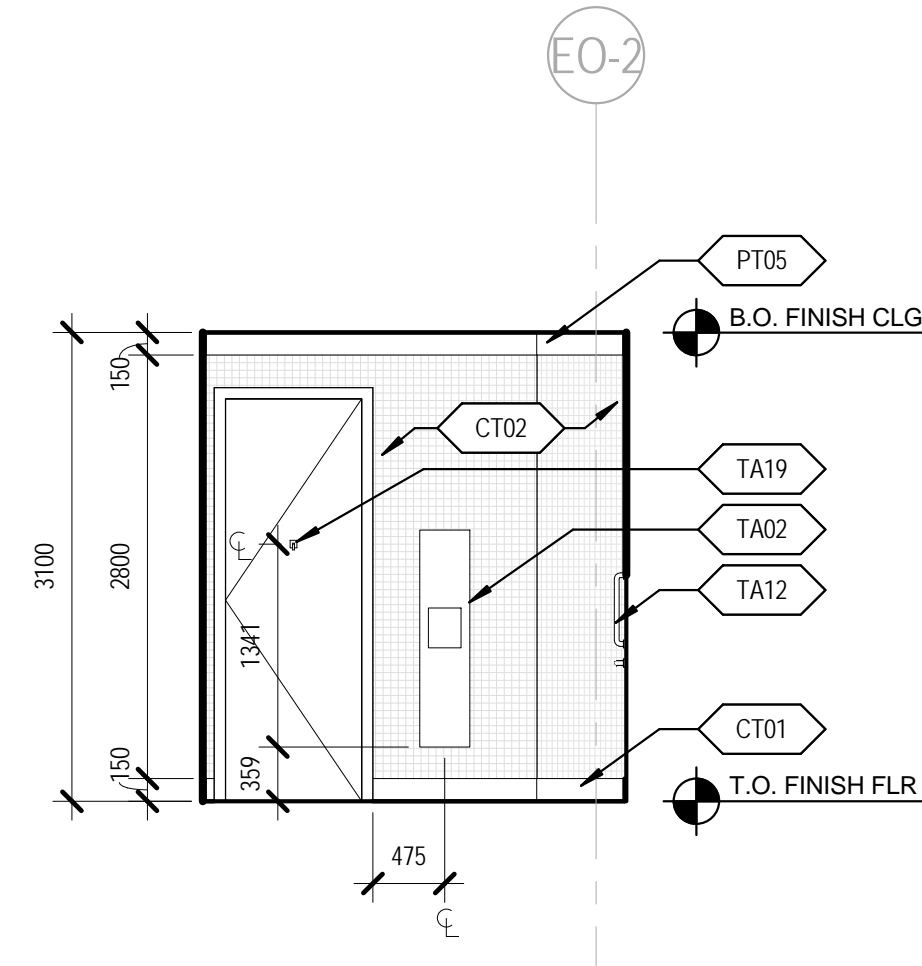
8 ELEVACION NORTE - WC (SUR) NIVEL S1
NORTH ELEVATION - BTHRM. (SOUTH) - L S1
1:50



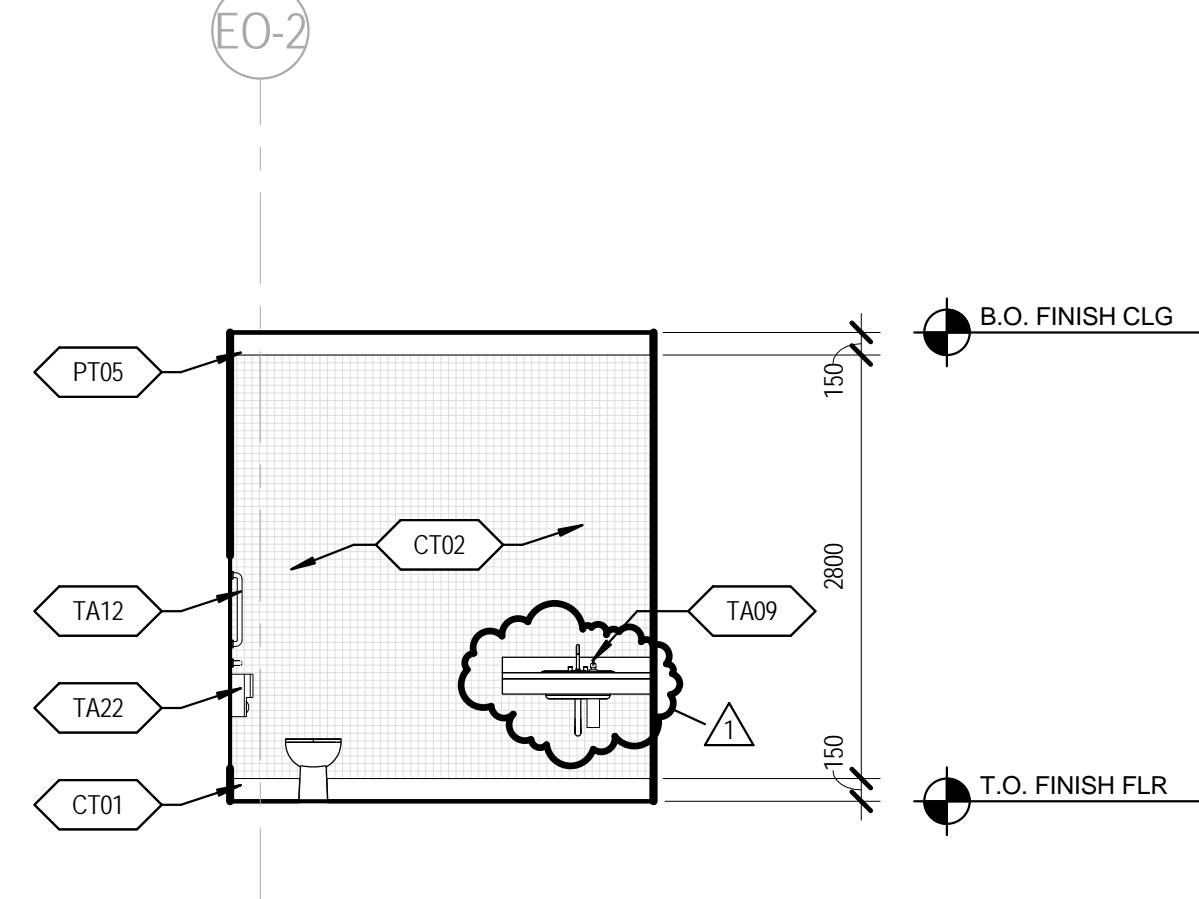
7 ELEVACION SUR - WC (SUR) NIVEL S1
SOUTH ELEVATION - BTHRM. (SOUTH) - L S1
1:50



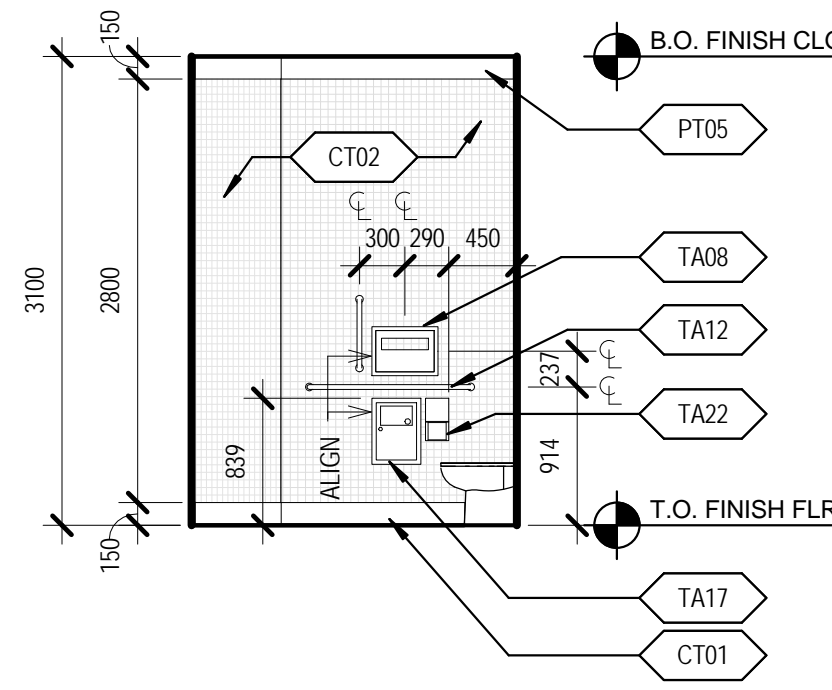
5 ELEVACION OESTE - WC (OESTE) NIVEL S1
WEST ELEVATION - BTHRM. (WEST) - L S1
1:50



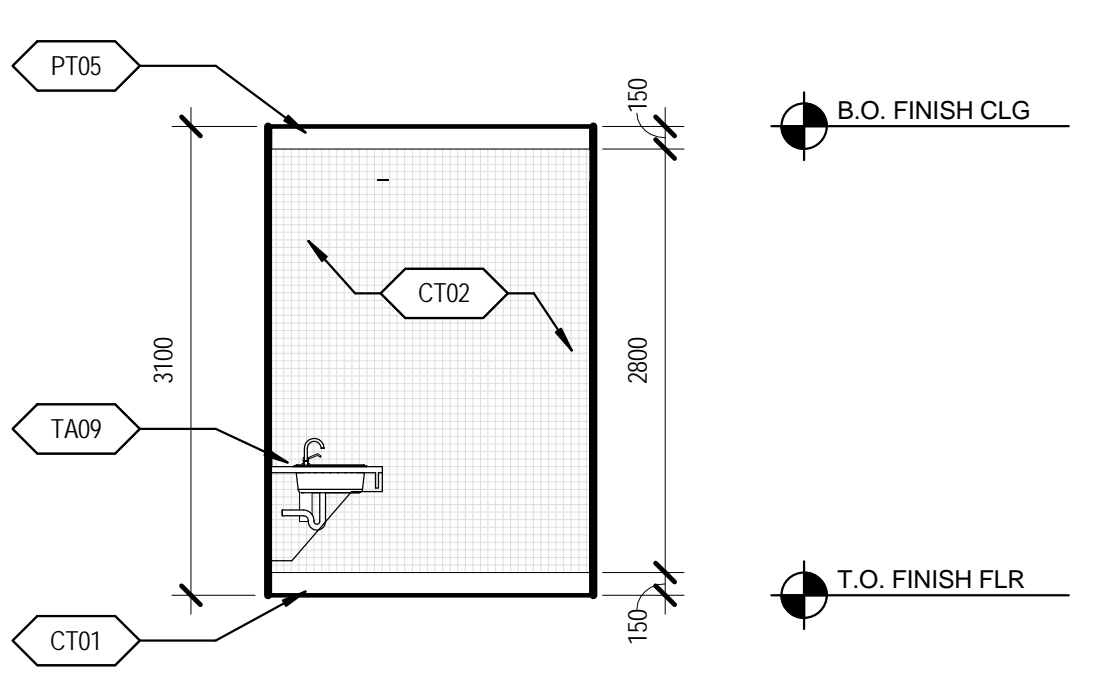
4 ELEVACION ESTE - WC (OESTE) NIVEL S1
EAST ELEVATION - BTHRM. (WEST) - L S1
1:50



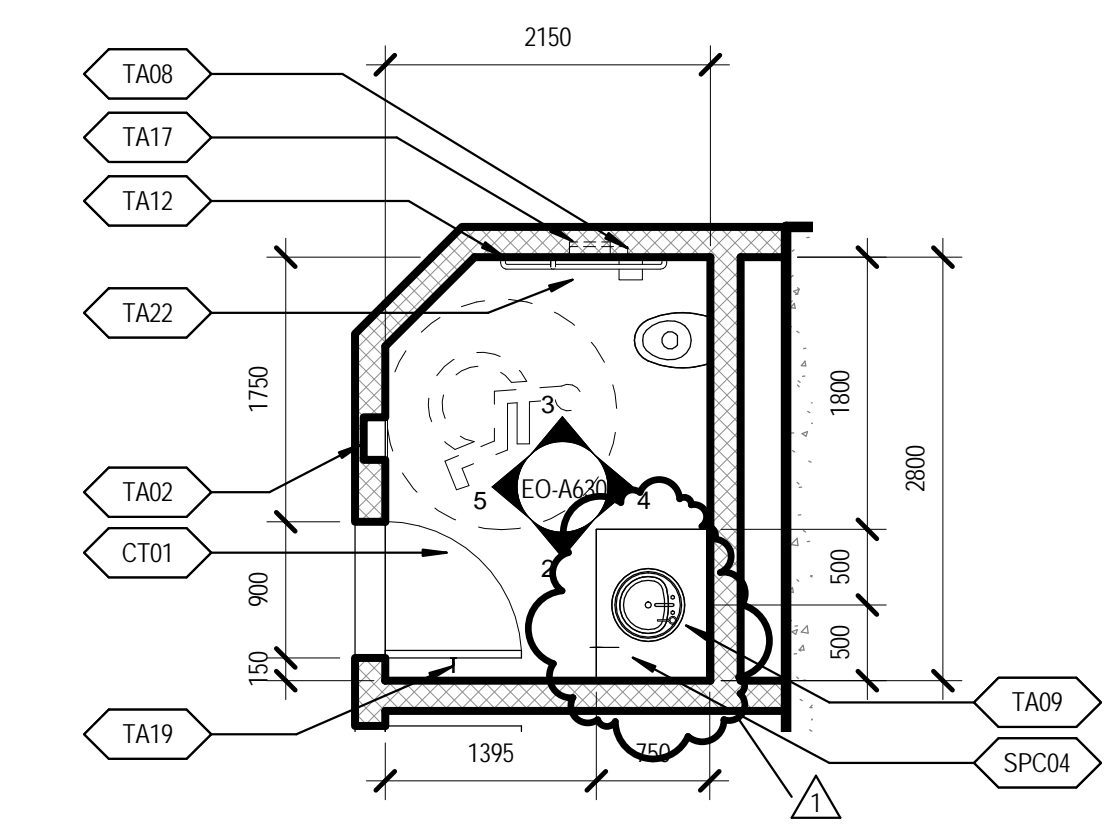
3 ELEVACION NORTE - WC (OESTE) NIVEL S1
NORTH ELEVATION - BTHRM. (WEST) - L S1
1:50



2 ELEVACION SUR - WC (OESTE) NIVEL S1
SOUTH ELEVATION - BTHRM. (WEST) - L S1
1:50



1 PLANTA AMPLIFICADA WC NIVEL S1(OESTE)
DETAIL PLAN - BATHROOM LEVEL S1 (WEST)
1:50



PARA INTERIOR

ACT101 PLAFON ACUSTICO (MODULAR)
DIMENSIONES 600MM (24") x 1200MM (48")
ESPESOR 19MM

ACT102 PLAFON ACUSTICO (MODULAR)
DIMENSIONES 600MM (24") x 1200MM (48")
ESPESOR 19MM

ACT103 PLAFON ACUSTICO (MODULAR)
DIMENSIONES 600MM (24") x 600MM (24")
ESPESOR 19MM

AF101 PISO FALSO - DIMENSIONES 600MM (24") x 600MM (24")

CP101 ALFOMBRA - DIMENSIONES 45.72 CM x 45.72 CM

CP102 ALFOMBRA - DIMENSIONES 45.72 CM x 45.72 CM

CT01 LOSETA CERAMICA - DIMENSIONES 2" x 2", COLOR STERLING

CT02 LOSETA CERAMICA - DIMENSIONES 2" x 2", COLOR WHITE

EJ05 JUNTAS EXPANSIVAS- MURO INTERIOR Y PLAFON, COLOR POR DETERMINAR

EJ06 JUNTAS EXPANSIVAS- PISO INTERIOR, COLOR GRIS

GL13 CRISTAL - LAMINADO CLARO DE 3/4" BAJO EN HIERRO CON CAPA DE ACERO INOXIDABLE CON BORDES PULIDOS EXPUESTOS

GL14 CRISTAL - ESPEJO BAJO EN HIERRO DE 6 MM, CON BORDES PULIDOS EXPUESTOS

GL15 CRISTAL - ESPEJO LAMINADO

GL101 CRISTAL - LAMINADO DE 1/2", TRANSPARENTE BAJO EN HIERRO CON BORDES PULIDOS EXPUESTOS

GL102 CRISTAL DOBLE - LAMINADO DE 12 MM DISTRIBUIDOS EN DOS PANELES DE 6 MM CON PVB DE 0.06" LAQUEADO DE BLANCO BAJO EN HIERRO CON BORDES PULIDOS EXPUESTOS

GL104 CRISTAL DOBLE - LAMINADO BAJO EN HIERRO DE 12 MM DISTRIBUIDOS EN DOS PANELES DE 6 MM GRABADO CON BORDES PULIDOS EXPUESTOS

GL105 CRISTAL - LAMINADO DE 3/4", DISTRIBUIDOS EN DOS PANELES DE 3/8" TRANSPARENTE BAJO EN HIERRO CON BORDES PULIDOS EXPUESTOS

GL106 CRISTAL LACADO EN BLANCO

GR101 REJILLA

JF08 JUNTA DE RELLENO CON RELLENO DE COMPRESION

JF09 JUNTA DE RELLENO PARA PAVIMENTOS DE CONCRETOS

JG01 JUNTA DE COMPRESION DE NEOPRENOS PREFORMADO

MTL01 METAL - ACERO INOXIDABLE, ACABADO #4

MTL02 METAL - ACERO INOXIDABLE DE GRANO LARGO

MTL03 METAL - COLOR GRIS PLATEADO

MTL102 A METAL - ALUMINIO PULIDO, ACABADO BRILLANTE

PLA01 YESO, COLOR QUE COINCIDA CON PCC01

PLA02 YESO, COLOR QUE COINCIDA CON PCC01

PL101 PLASTICO LAMINADO - ACABADO BLANCO MATE

PL102 PLASTICO LAMINADO - ACABADO BLANCO PULIDO

PL103A PLASTICO LAMINADO - ACABADO NARANJA

PL103B PLASTICO LAMINADO - ACABADO FRAMBUESA

PL103C PLASTICO LAMINADO - ACABADO VERDE MATE

PL104 PLASTICO LAMINADO - ACABADO BLANCO

PL106 PLASTICO LAMINADO - ACABADO MAGNESIUM BRILLANTE

PL108 PLASTICO LAMINADO - ACABADO LAMINART CON TEXTURA ESPECIAL DE CONCHA DE OSTRAS EN LAS SUPERFICIES HORIZONTALES

PT01 PINTURA - COLOR BLANCO, FLAT

PT02 PINTURA - COLOR GRIS, EGG SHELL

PT04 PINTURA - COLOR BLANCO, EGG SHELL, PPT GLAZED PRODUCT

PT05 PINTURA - COLOR GRIS, EGG SHELL

PT07 PINTURA - COLOR GRIS, SISTEMA DE POLIAMINA EPOXICA DE ALTO DESEMPEÑO

PT08 PINTURA - COLOR GRIS, PARA ACERO GALVANIZADO

PT09 PINTURA - COLOR AMARILLO, SISTEMA DE POLIAMINA EPOXICA DE ALTO DESEMPEÑO

PT10 PINTURA - COLOR NEGRO, SISTEMA DE POLIAMINA EPOXICA DE ALTO DESEMPEÑO

PT11 PINTURA - COLOR QUE COINCIDA CON S01

PT18 PINTURA - COLOR GRIS

PT22 PINTURA - COLOR BLANCO

PT23 PINTURA - COLOR FRAMBUESA

PT24 PINTURA - COLOR VERDE

PT25 PINTURA - COLOR AMARILLO

PT26 PINTURA - COLOR NARANJA

PT27 PINTURA - COLOR AZUL

PT28 PINTURA - COLOR AZUL

RF01 PISO VINILICO

RM100 BASE VINILICO

RM103 PISO DE RESINA Y AGREGADOS - RESISTENTE A QUIMICOS

SE07 SELLADOR - SILICONA DE GOMA PARA PAVIMENTOS DE CONCRETO Y CUBIERTAS DE ESTACIONAMIENTO

SE09 SELLADOR - SILICONA SANITARIA DE GOMA

SE10 SELLADOR - GOMA SINTETICA POR MEDIO DE POLIMERIZACION DE ISOBUTILENO

SE11 SELLADOR - LATEX DE AZULICO

S001 CONCRETO SELLADO

S002 CONCRETO ARQUITECTURA, APARENTE CON ACABADO FINO

SPC01A SUPERFICIE DE QUARTZO - PIEDRA INOVADORA, 1/8" DE RADIO EN EL BORDE EXTERIOR, COLOR BLANCO

SPC02A SUPERFICIE DE QUARTZO - COLOR NARANJA COOL

SPC02B SUPERFICIE DE QUARTZO - COLOR FRAMBUESA ENERGY

SPC03 SUPERFICIE DE QUARTZO - COLOR VERDE FUN

SPC04 SUPERFICIE DE QUARTZO - COLOR GRIS CLARO

ST01 PETREDO - GRANITO, ACABADO HONED, COLOR CHELMSFORD GREY

ST02 PETREDO - GRANITO, ACABADO HONED, COLOR NEGRO

ST04 PETREDO - MARMOL

ST06 PETREDO - GRANITO, COLOR CHELMSFORD GREY

ST07 PETREDO - GRANITO, COLOR NEGRO

ST08 PETREDO - GRANITO, COLOR NEGRO

TA01-21 ACCESORIOS DE SANITARIO - COORDINAR CON ESPECIFICACIONES

TC02 RECURRIMIENTO PARA TRAFICO

TM01 MARCAS DE TRAFICO

TM02 MARCAS DE TRAFICO

TM03 MARCAS DE TRAFICO

VCT101 BALDOSAS ANTI-ESTATICAS, COLOR GRIS CLARO

VCT102 BALDOSAS DE VINIL - DIMENSIONES 50 CM x 50 CM x 0.5 CM, COLOR GRIS

WD101 BASE DE MADERA - 15 MM DE ESPESOR, COLOR NEGRO

WD102 BASE DE MADERA - 15 MM DE ESPESOR, COLOR BLANCO BRILLANTE

WD103 BASE DE MADERA - COLOR LAMINADO PLATEADO

WTR101 PANTALLAS DE VENTANAS - COLOR BLANCOGRIS

WTR102 PANTALLAS DE OSCURECIMIENTO - COLOR BLANCOGRIS

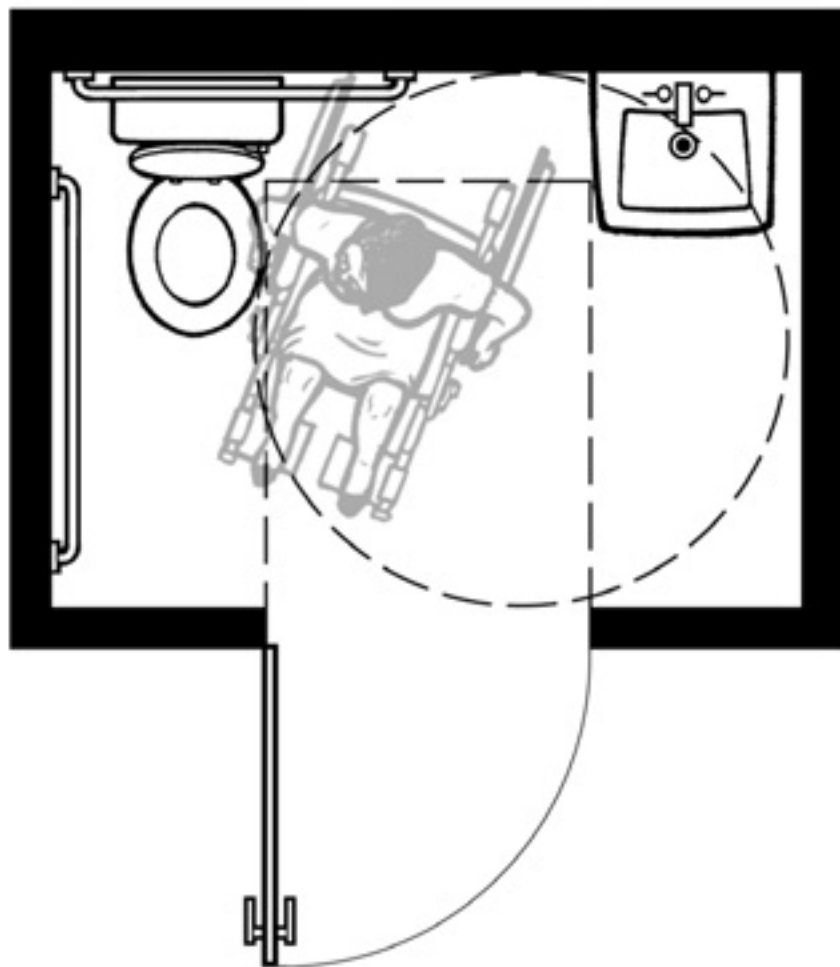
WV102 PLASTICO LAMINADO - COLOR GRISPLATEADO

WV102A PLASTICO LAMINADO - COLOR GRISPLATEADO

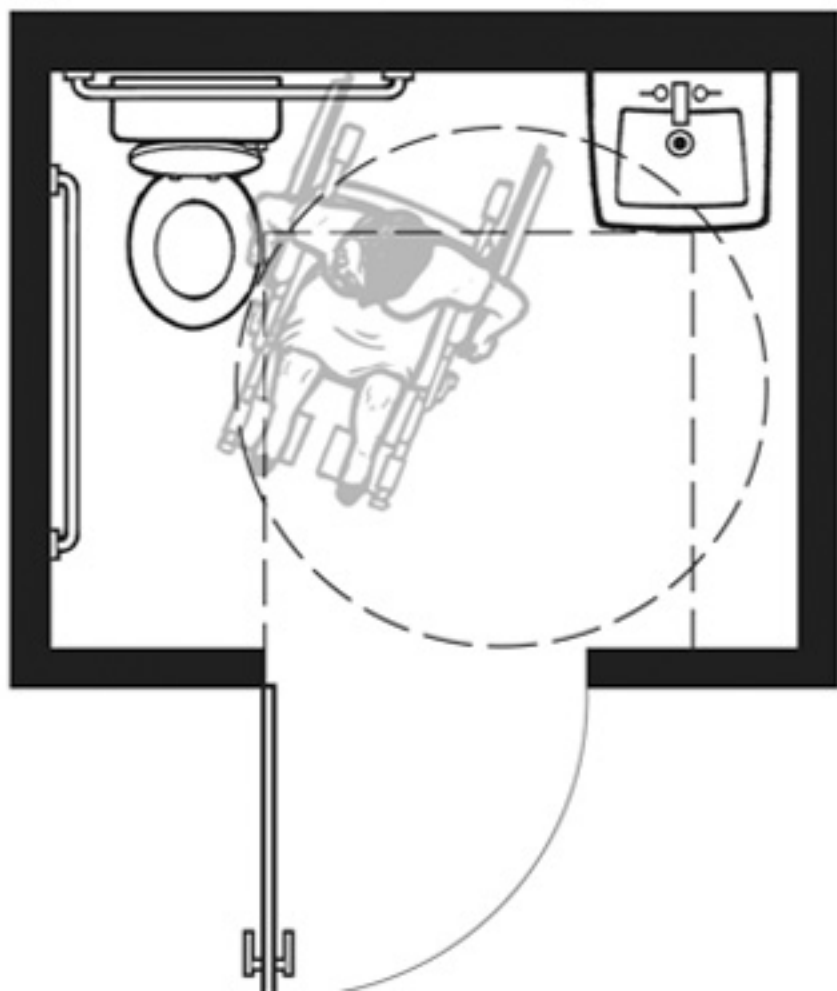
WV103 CHAPAS DE MADERA - MADERA DE ROBLE PREMIUM, COLOR NEGRO

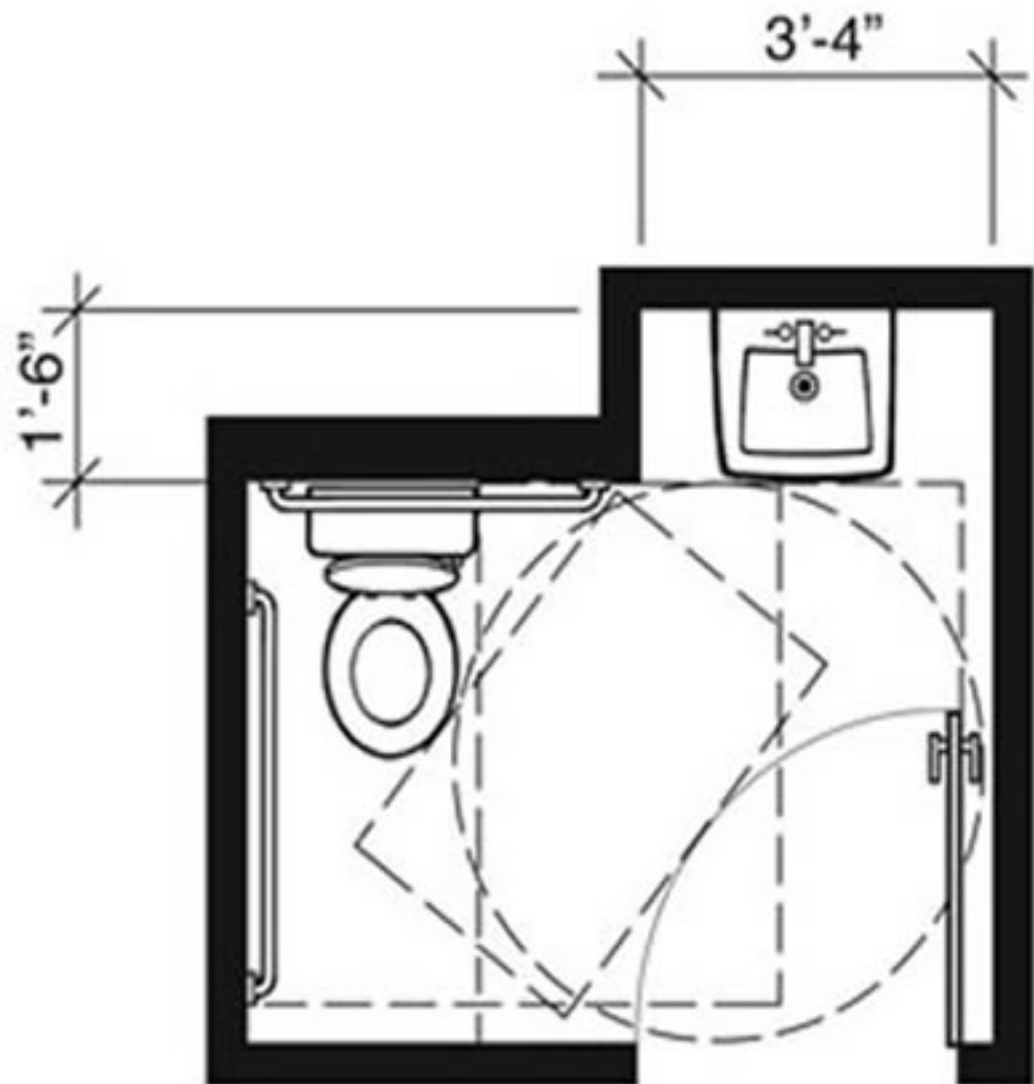
NOTA
PARA UNA COMPLETA DESCRIPCION DE CADA MATERIAL, SUS PROPIEDADES Y CRITERIOS DE REQUERIMIENTOS NECESARIOS, CONSULTAR LAS ESPECIFICACIONES DE ARQUITECTURA.

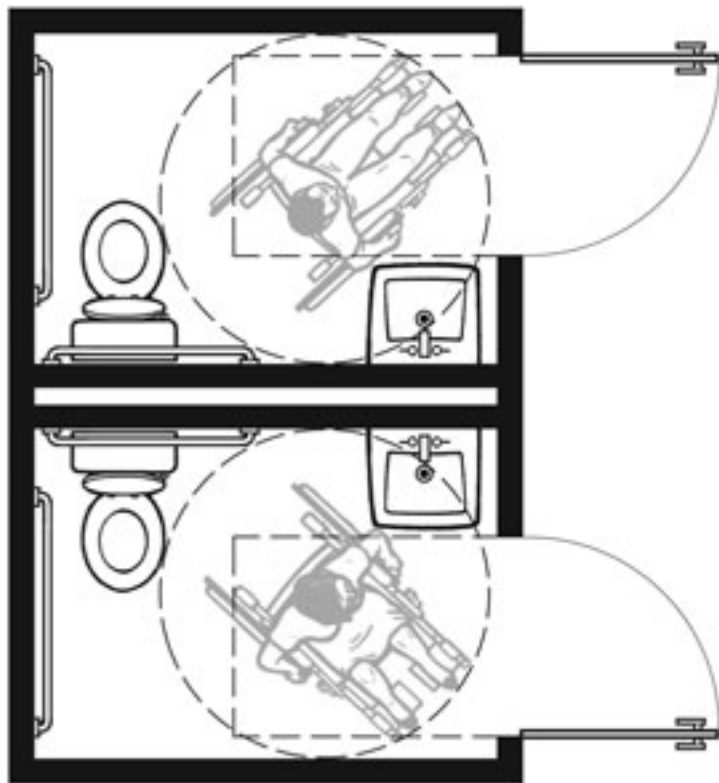
5'-0" min

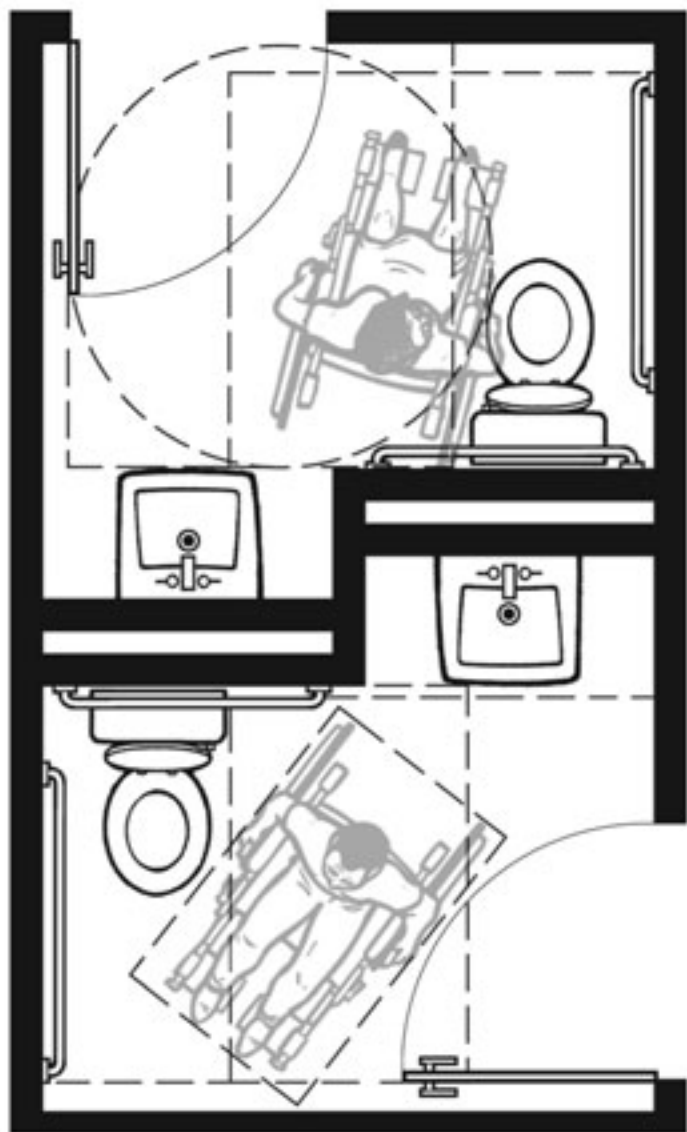


5'-0" min









UNDERCOUNTER SINK K-2330

ADA

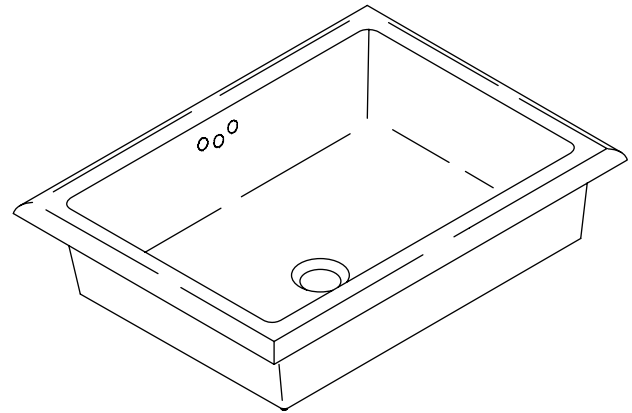
Features

- Vitreous china
- Undercounter
- With overflow
- Includes 52047 clamp assembly
- 17" (43.2 cm) x 13" (33 cm)

Codes/Standards Applicable

Specified model meets or exceeds the following:

- ADA
- ASME A112.19.2/CSA B45.1
- ICC/ANSI A117.1



Colors/Finishes

- 0: White
- Other: Refer to Price Book for additional colors/finishes

Specified Model

Model	Description	Colors/Finishes	
K-2330	Undercounter sink less glazed underside	<input type="checkbox"/> 0	<input type="checkbox"/> Other _____
K-2330-G	Undercounter sink with glazed underside	<input type="checkbox"/> 0	<input type="checkbox"/> Other _____

Product Specification

The undercounter sink shall be made of vitreous china. Sink shall be 17" (43.2 cm) in length and 13" (33 cm) in width. Sink shall be available with overflow. Sink shall include 52047 clamp assembly. Sink shall be Kohler Model K-_____-____.

KATHRYN®

Technical Information

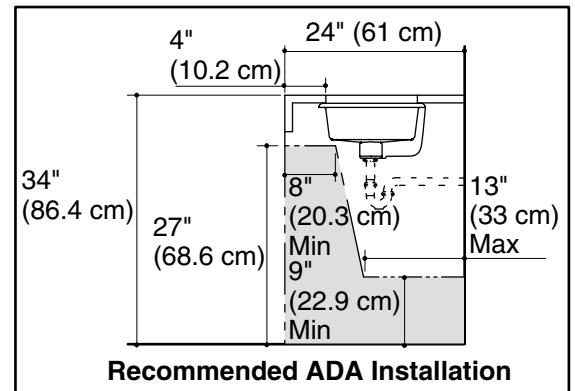
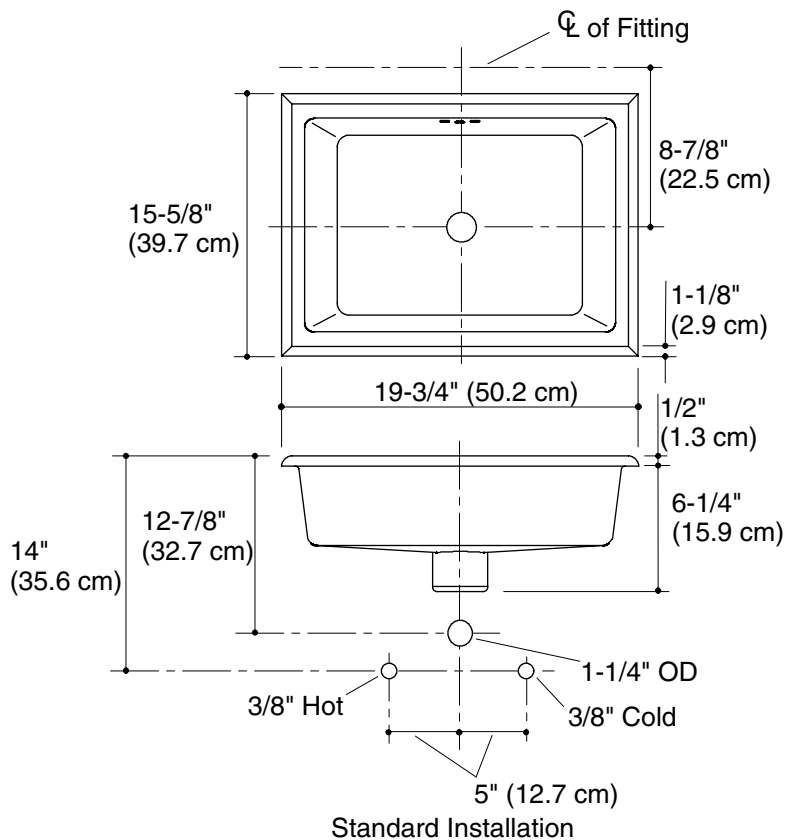
Fixture*:	
Basin area	17" (43.2 cm) x 13" (33 cm)
Water depth	3" (7.6 cm)
Drain hole	1-3/4" (4.4 cm) D.
* Approximate measurements for comparison only.	

Included components:	
Basin clamp assembly	52047
Cut-out template	1006809-7

Installation Notes

Install this product according to the installation guide.

NOTICE: The countertop manufacturer or cutter **must** use the cut-out template provided with the product, or a current one provided by the Kohler Co. (Call 1-800-4-KOHLER.) Kohler Co. is not responsible for cut-out errors when the incorrect cut-out template is used.



Product Diagram

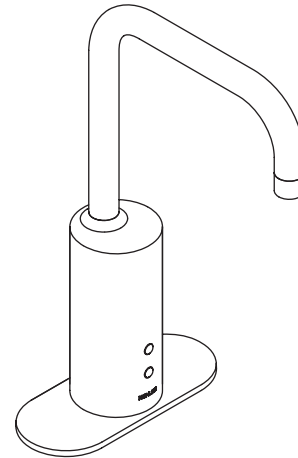
Features

- Brass construction
- Vandal-resistant mixing handle or plug button
- Vandal-resistant aerator
- Electronic infrared sensor with TriPoint™ technology for accurate activation
- Sensor shield included for easy cleaning
- 6" (15.2 cm) spout
- 22" (55.9 cm) flexible supply hoses for easy installation
- Above-counter valve allows for easy installation and maintenance
- Alternate aerator options available (refer to the Kohler Price Book)
- DC models feature an above-counter battery allowing easy changeability
- 0.5 gallons (1.9 L) per minute flow rate
- 6 V lithium-ion battery for DC power supply or 120 V, 60 Hz, 15 W for AC power supply

**ELECTRONIC FAUCET
K-10952**

ALSO K-10953, K-10954, K-10955

ADA



Codes/Standards Applicable

Specified model meets or exceeds the following:

- ASME A112.18.1/CSA B125.1
- Energy Policy Act of 1992
- IAPMO/UPC
- ADA
- CSA International
- Underwriter's Laboratories (UL) (AC Model)

Colors/Finishes

- CP: Polished Chrome
- G: Brushed Chrome
- NA: None applicable

Specified Model:

Model	Description	Colors/Finishes	
K-10952-4	DC manual water adjustment, above-counter battery changeability, single-hole mount	<input type="checkbox"/> CP	<input type="checkbox"/> G
K-10953-4	AC manual water adjustment, single-hole mount	<input type="checkbox"/> CP	<input type="checkbox"/> G
K-10954-4	DC manual water adjustment, above-deck battery changeability, three-hole mount with 4" (10.2 cm) escutcheon	<input type="checkbox"/> CP	<input type="checkbox"/> G
K-10955-4	AC manual water adjustment, three-hole mount with 4" (10.2 cm) escutcheon	<input type="checkbox"/> CP	<input type="checkbox"/> G
K-10982	Plug-in adapter (required for AC)	<input type="checkbox"/> NA	

Product Specification

Electronic faucet shall be of brass construction. The faucet shall feature an electronic infrared sensor with Tripoint technology and requires a plug-in power supply. The faucet shall have a flow rate of 0.5 gpm (1.9 lpm). The faucet shall have alternate flow aerator options. The faucet shall feature vandal-resistant mixing handle or plug button. The faucet shall include 6" (15.2 cm) spout, vandal-resistant aerator, sensor shield for easy cleaning, and 22" (55.9 cm) flexible supply hoses. The faucet shall have above-counter battery and valve for easy installation and maintenance. The faucet shall use a 6 V lithium-ion battery for DC power supply or 120 V, 60 Hz, 15 W for AC power supply. The faucet shall be Kohler Model K-____-____-____ and plug-in power supply shall be Kohler Model K-10982-NA.

Installation Notes

Install this product according to the installation guide.

One-stud configuration - 1-1/16" (2.7 cm) D. Min to 1-1/4" (3.2 cm) D. Max mounting hole.

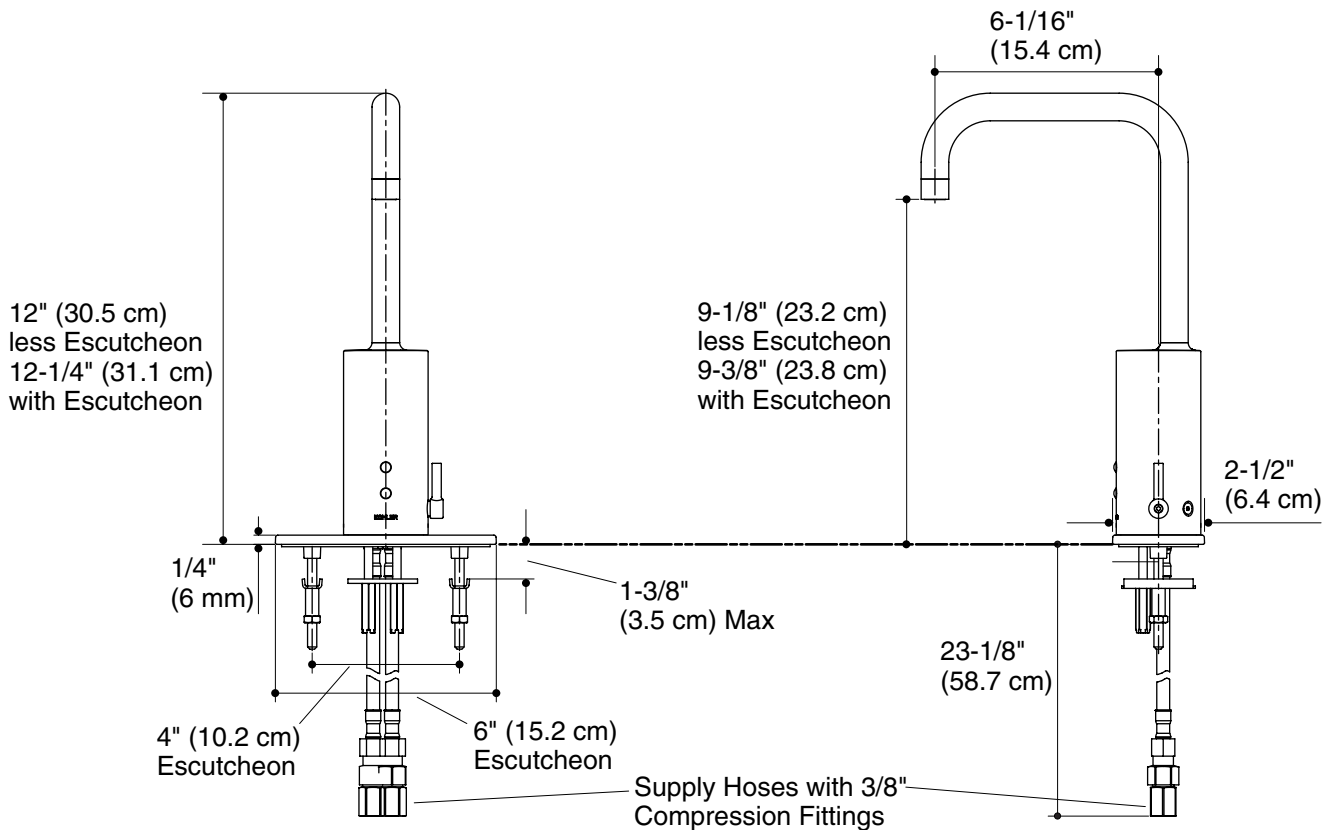
Two-stud configuration - 1-1/4" (3.2 cm) D. Min to 2-1/2" (6.4 cm) D. Max mounting hole.

Allow 1-3/4" (4.4 cm) clearance between back of the spout and wall for setscrew access.

The distance from lavatory basin edge to base of the spout should be 1-1/8" (2.9 cm) Max.

The lip basin height should be 1" (2.5 cm) Max.

Product uses a 6 V lithium-ion battery for the DC version or 120 V, 60 Hz, 15 W for the AC version.



Product Diagram

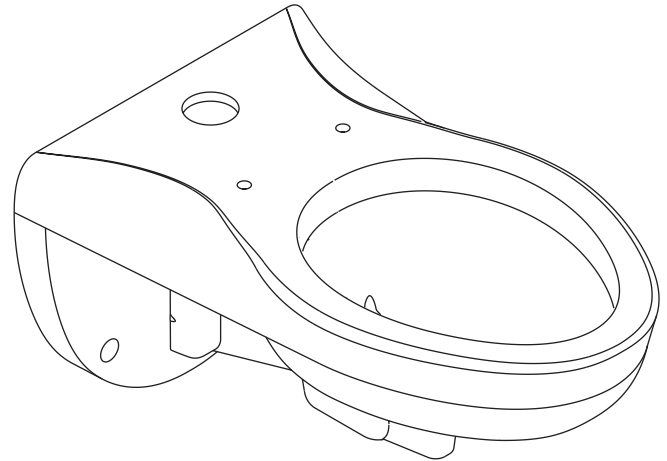
Features

- Vitreous china
- Elongated bowl
- Siphon jet
- Wall-mount
- With bedpan lugs (-L)
- 1-1/2" top spud
- 1.28 gpf (4.8 lpf)
- 10-1/2" (26.7 cm) x 9" (22.9 cm) water area
- 26-1/2" (67.3 cm) x 16-1/2" (41.9 cm) x 13-1/4" (33.7 cm)

BOWL K-4325

ADA

TAS



Codes/Standards Applicable

Specified model meets or exceeds the following:

- ADA
- TAS
- ICC/ANSI A117.1
- ASME A112.19.2/CSA B45.1
- Energy Policy Act of 1992

Colors/Finishes

- 0: White
- Other: Refer to Price Book for additional colors/finishes

Accessories

- 0: White
- CP: Polished Chrome
- Other: Refer to Price Book for additional colors/finishes

Specified Model

Model	Description	Colors/Finishes	
K-4325	Elongated bowl	<input type="checkbox"/> 0	<input type="checkbox"/> Other_____
K-4325-L	Elongated bowl with bedpan lugs	<input type="checkbox"/> 0	<input type="checkbox"/> Other_____

Recommended Accessories			
K-10956	1.28 gpf (4.8 lpf) Touchless™ DC toilet flushometer	<input type="checkbox"/> CP	
K-4731-C	Stronghold® open-front elongated seat	<input type="checkbox"/> 0	<input type="checkbox"/> Other_____
K-4731-SC	Stronghold® open-front elongated seat with integrated handle	<input type="checkbox"/> 0	<input type="checkbox"/> Other_____
K-4731-GC	Stronghold® Quiet-Close™ open-front elongated seat	<input type="checkbox"/> 0	<input type="checkbox"/> Other_____

Product Specification

The elongated bowl shall be made of vitreous china. Bowl shall be 26-1/2" (67.3 cm) in length, 16-1/2" (41.9 cm) in width, and 13-1/4" (33.7 cm) in height. The bowl shall be wall-mount with a 1-1/2" top spud. Bowl shall have siphon jet. Bowl shall have 20% water savings over standard 1.6 (6 lpf) models. Bowl shall have bedpan lugs (-L). Bowl shall be 1.28 gpf (4.8 lpf). Bowl shall have 10-1/2" (26.7 cm) x 9" (22.9 cm) water area. Bowl shall be Kohler Model K-4325-_____.

Technical Information

Fixture:	
Configuration	top spud, elongated
Water per flush	1.28 gal (4.85 L)*
Spud size	1-1/2"
Passageway	2-1/8" (5.4 cm)
Water area	10-1/2" (26.7 cm) x 9" (22.9 cm)
Water depth from rim	5-1/4" (13.3 cm)
Seat post hole centers	5-1/2" (14 cm)
* Designed to flush with 1.28 gal (4.8 L) of water when installed with a 1.28 gal (4.8 L) flush valve.	
Included components:	
Spud	18357
Flush valve requirements: Refer to manufacturer and local codes.	

Installation Notes

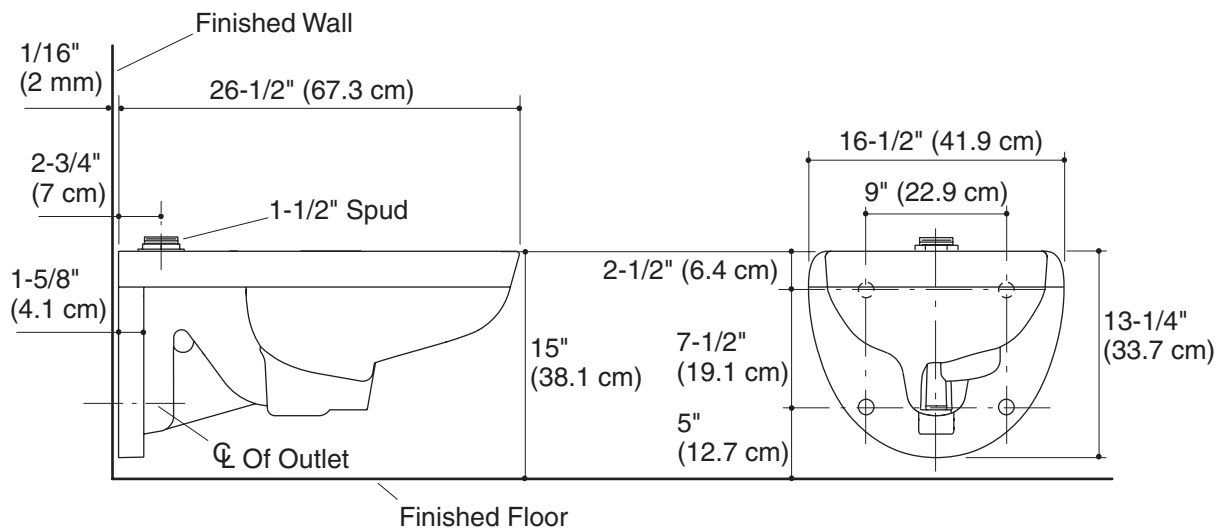
Install this product according to the installation guide.

Will comply with the American Disabilities Act (ADA) when installed per the requirements of the Accessibility Guidelines, Section 604 Water Closets, of the Act. The Model Plumbing Codes require the installation of elongated open-front toilet seats in public bathrooms.

For TAS compliance the required seating height with the toilet seat installed is:

Adults – 17" (43.2 cm) to 19" (48.3 cm)

Children (Elementary Grade Levels 6 through 8 or 9) – 15" (38.1 cm) to 17" (43.2 cm)



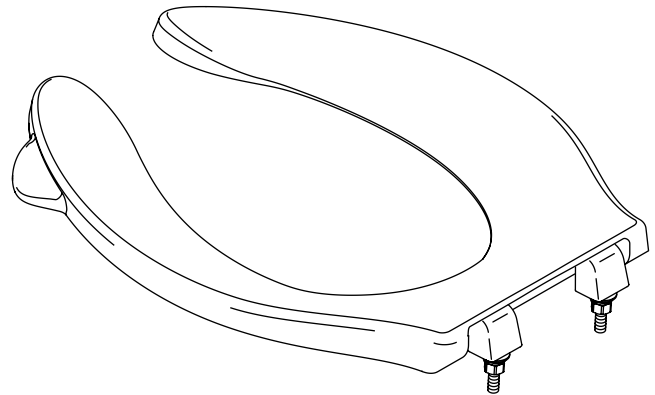
Product Diagram

COMMERCIAL TOILET SEAT K-4731

ADA

Features

- Solid polypropylene plastic
- Elongated open-front
- Ergonomic contour adds additional comfort
- Integrated handle allows user to easily raise and lower the ring
- Stainless steel hinge arms and hardware
- Less cover
- ADA compliant when installed with an ADA compliant toilet
- Anti-microbial agent inhibits growth of odor-causing bacteria, mold, and mildew [-CA, -GA, -SA]
- Check hinge stops seat from leaning back and applying pressure on tank/flushometer [-C, -CA]
- Self-sustaining check hinge prevents slamming with check hinge functionality [-SC, -SA]
- Quiet-Close™ check hinge will slowly close with check hinge functionality [-GC, -GA]



Codes/Standards Applicable

Specified model meets or exceeds the following:

- ADA
- ANSI Z124.5

Colors/Finishes

- 0: White
- 7: Black Black™
- Other: Refer to Price Book for additional colors/finishes

Specified Model

Model	Description	Colors/Finishes		
K-4731-C	Elongated open-front seat – check hinge	<input type="checkbox"/> 0	<input type="checkbox"/> 7	<input type="checkbox"/> Other_____
K-4731-CA	Elongated open-front seat – check hinge and anti-microbial agent	<input type="checkbox"/> 0		
K-4731-GC	Elongated open-front seat – Quiet-Close™ check hinge	<input type="checkbox"/> 0	<input type="checkbox"/> 7	<input type="checkbox"/> Other_____
K-4731-GA	Elongated open-front seat – Quiet-Close™ check hinge and anti-microbial agent	<input type="checkbox"/> 0		
K-4731-SC	Elongated open-front seat – self-sustaining check hinge	<input type="checkbox"/> 0	<input type="checkbox"/> 7	<input type="checkbox"/> Other_____
K-4731-SA	Elongated open-front seat – self-sustaining check hinge and anti-microbial agent	<input type="checkbox"/> 0		

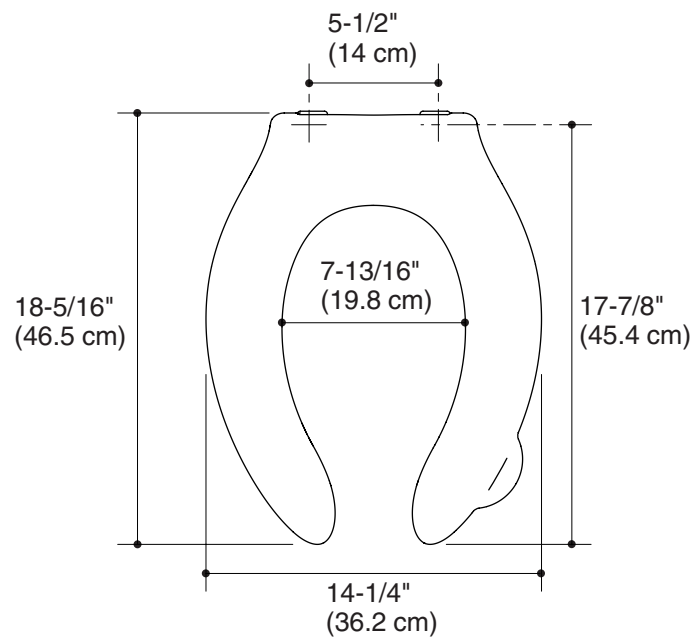
Product Specification

The elongated open-front toilet seat shall be made of solid polypropylene plastic. Product shall be less cover. Product shall have stainless steel hinge arms and hardware. Product shall feature an ergonomic contour which adds additional comfort. Product shall feature an integrated handle which allows the user to easily raise and lower the ring. Product shall feature an anti-microbial agent which inhibits growth of odor-causing bacteria, mold, and mildew [-CA, -GA, -SA]. Product shall feature a check hinge which stops the seat from leaning back and applying pressure on the tank/flushometer [-C, -CA]. Product shall feature a self-sustaining check hinge which prevents slamming with check hinge functionality [-SC, -SA]. Product shall feature a Quiet-Close™ check hinge which will slowly close with check hinge functionality [-GC, -GA]. Product shall be ADA compliant when installed with an ADA compliant toilet. Toilet seat shall be Kohler Model K-4731-____-____.

STRONGHOLD®

Installation Notes

Install this product according to the installation guide.



Product Diagram

Features

- Brass construction
- Fixture-mount design
- Includes four 1.5 V AA batteries
- Electronic infrared sensor with TriPoint™ technology for accurate activation
- Intended for toilet installations with 1-1/2" spud coupling connection
- Retrofit models require a control stop and vacuum breaker
- 1.28 gpf (4.85 lpf) flush flow rate for low water consumption (K-10956 and K-10669)
- 1.6 gpf (6 lpf) flush flow rate (K-10957 and K-10962)

Codes/Standards Applicable

Specified model meets or exceeds the following:

- ASSE 1037
- CSA B64
- ADA
- FCC 47, Part 15
- CAN/CSA-CEI/IEC CISPR 22:02
- EN 55022
- ICC/ANSI A117.1
- CSA B125.3

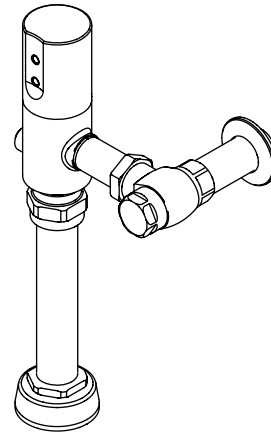
Specified Model:

Model	Description	Colors/Finishes
k-10669	1.28 gpf (4.85 lpf) exposed flush valve retrofit	<input type="checkbox"/> CP
K-10956	1.28 gpf (4.85 lpf) exposed flush valve	<input type="checkbox"/> CP
K-10957	1.6 gpf (6 lpf) exposed flush valve	<input type="checkbox"/> CP
K-10962	1.6 gpf (6 lpf) exposed flush valve retrofit	<input type="checkbox"/> CP

**EXPOSED FLUSH VALVE
K-10956**

ALSO K-10957, K-10962, K-10669

ADA



Colors/Finishes

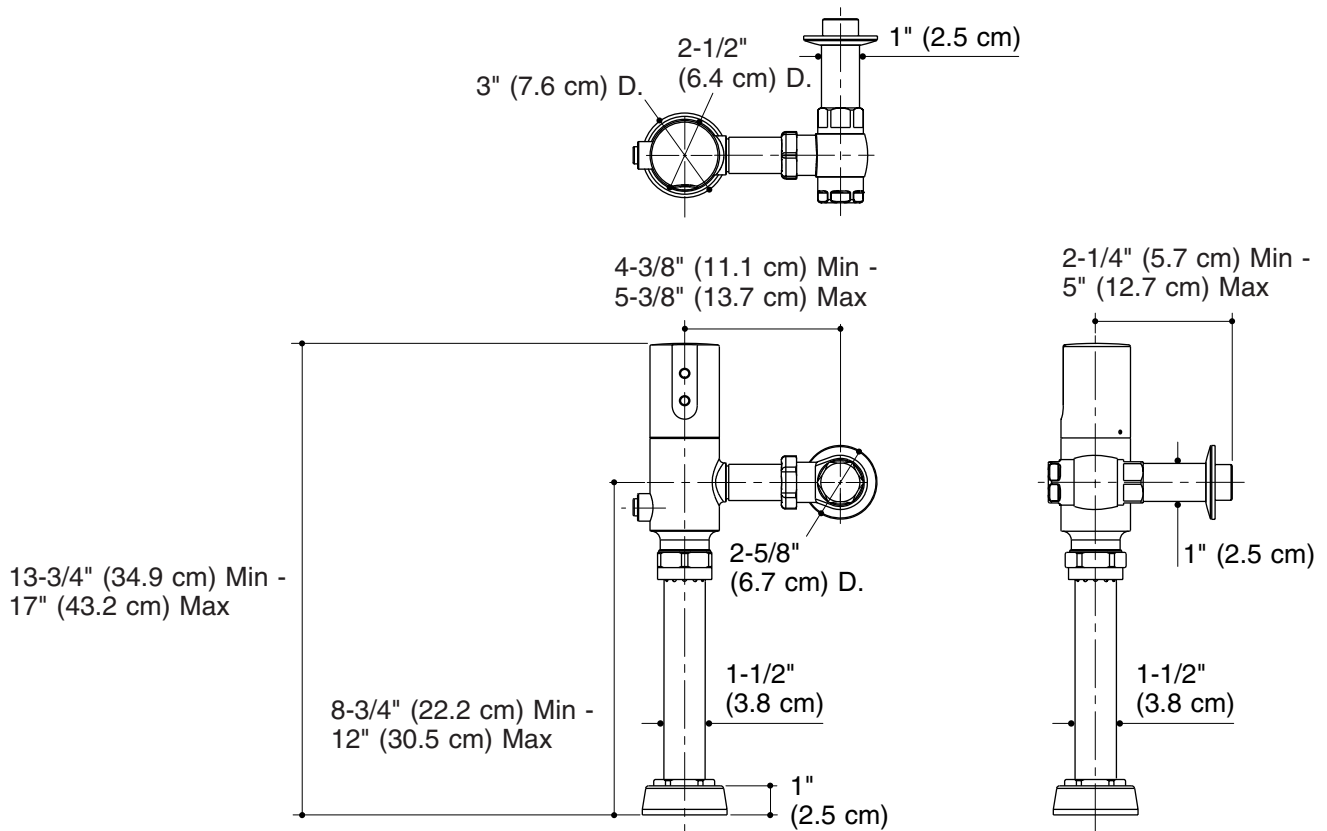
- CP: Polished Chrome

PRODUCT SPECIFICATION

Electronic flush valve shall be of brass construction. Valve shall feature electronic infrared sensor with TriPoint technology for accurate activation. Valve shall be of a fixture-mount design. Product is intended for toilet installations with a 1-1/2" spud coupling connection and retrofit models require a control stop and vacuum breaker. Valve shall have a 1.28 gpf (4.85 lpf) flow rate for low water consumption or 1.6 gpf (6 lpf) flow rate. Valve includes four 1.5 V AA batteries. Product shall be Kohler Model K-_____-CP.

Installation Notes

Install this product according to the installation guide.



Product Diagram