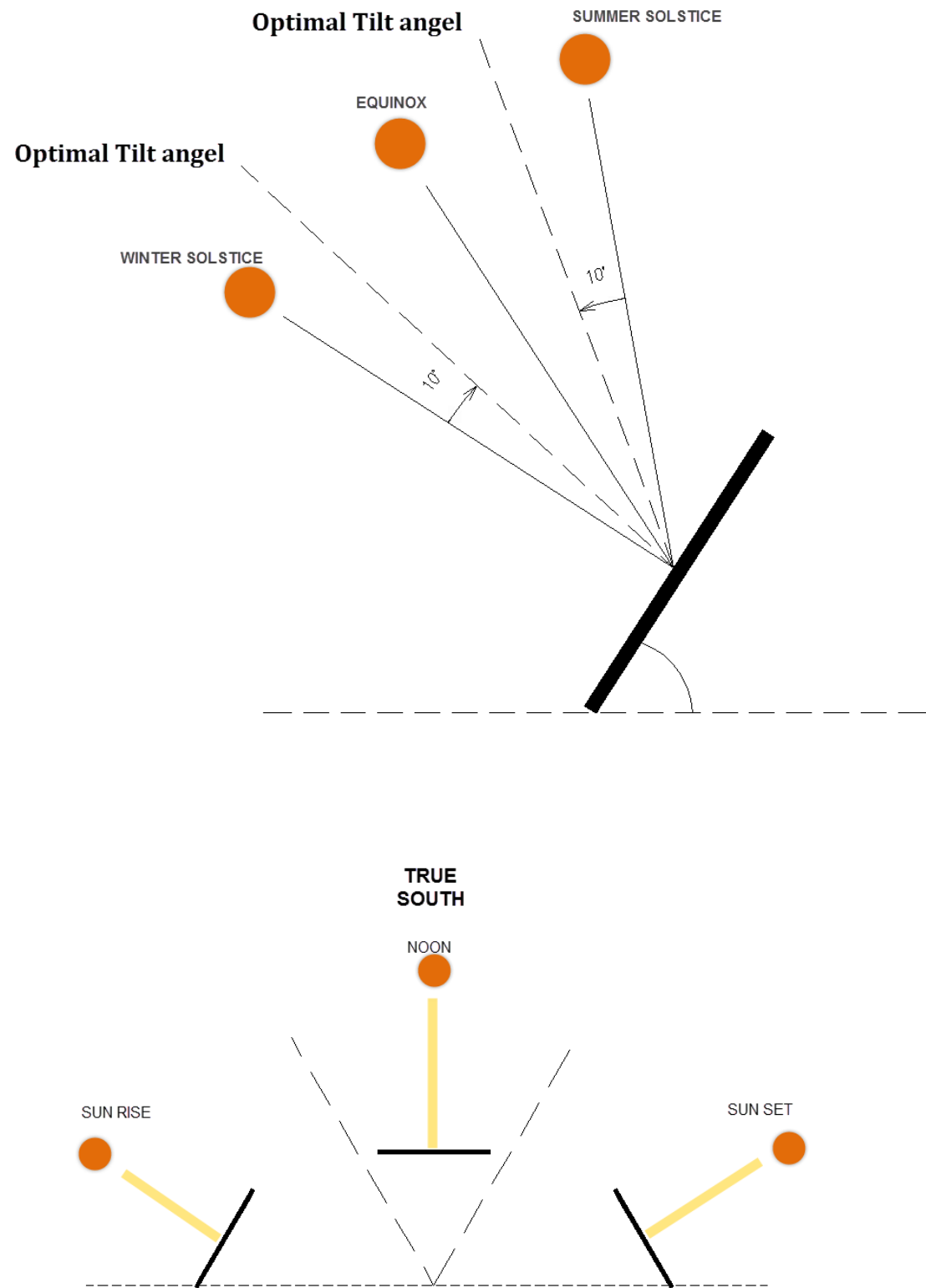
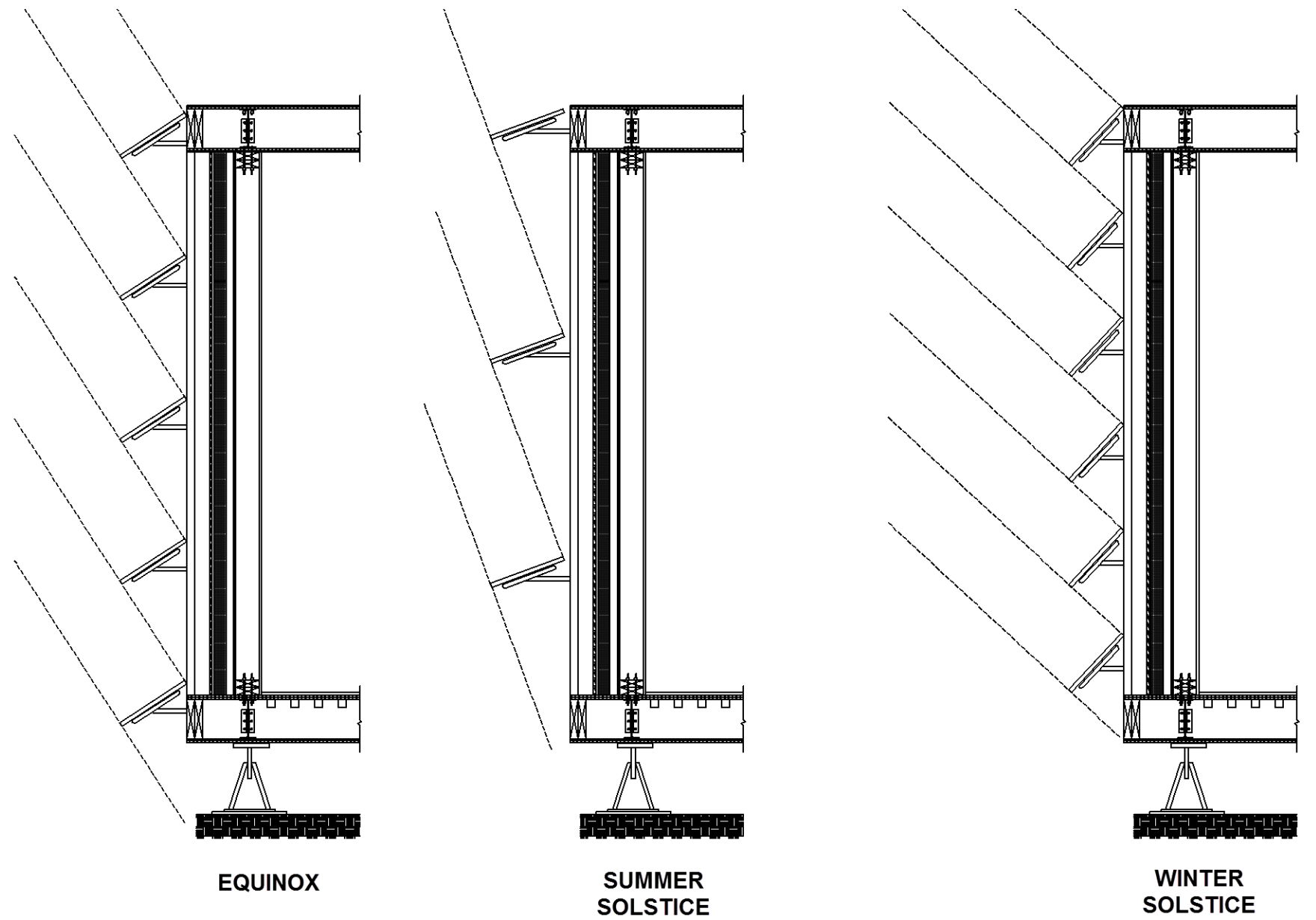


ADVANCE DETAILLING
PROFESSOR A. APTEKAR
SOLAR DECTHLON HOUSE
AMAL HASHEM

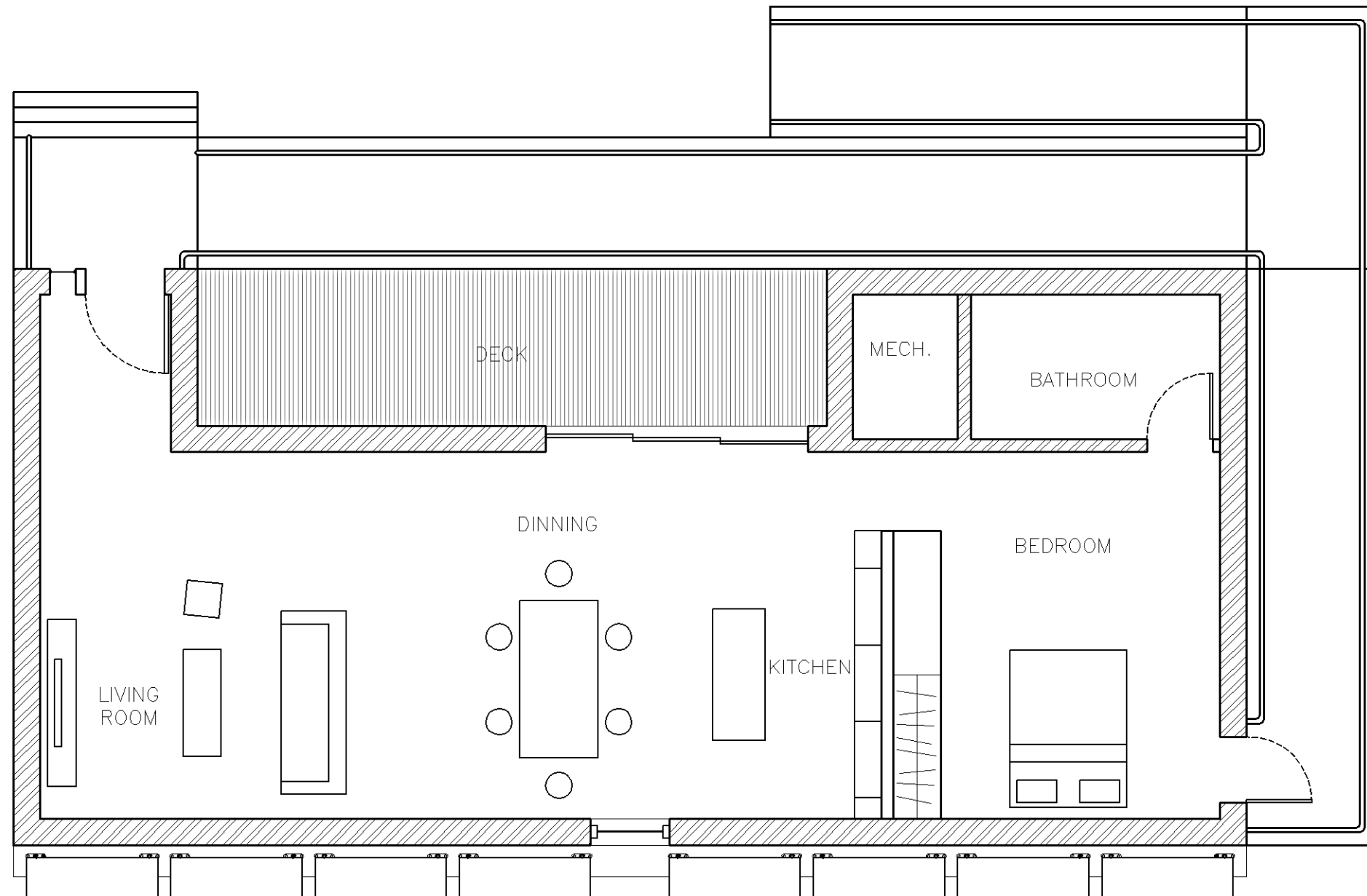
SUN PATH ANALYSIS



SOLAR PANEL TILT



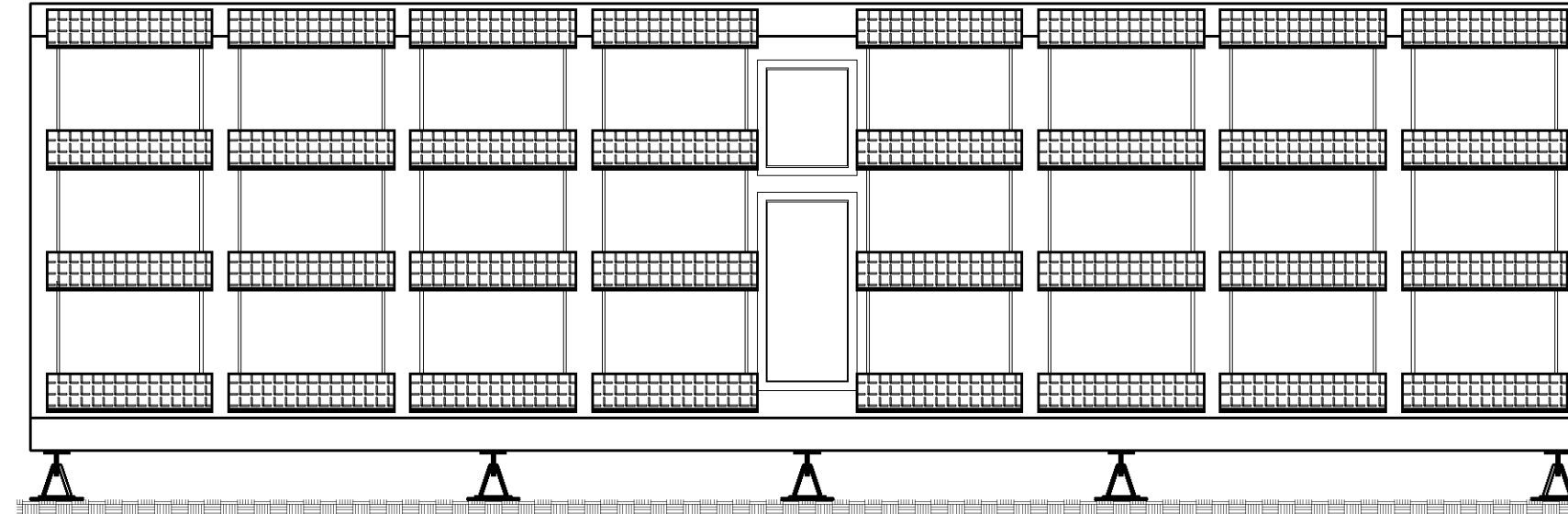
PROPOSED FLOOR PLAN



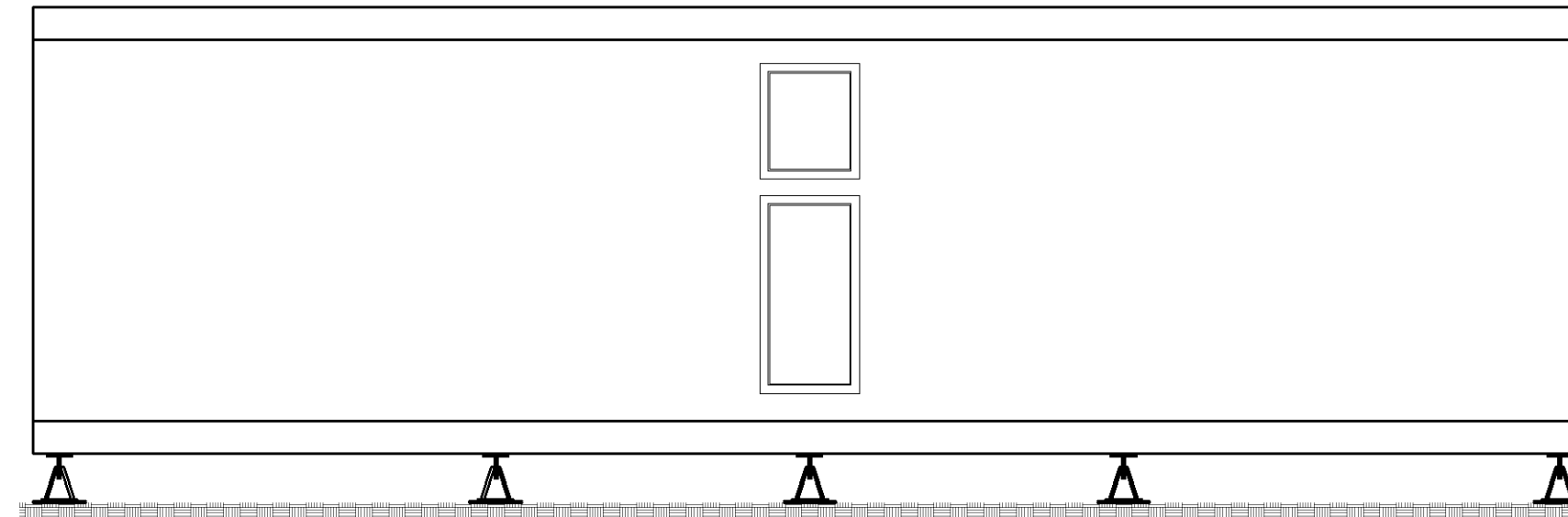
1 FLOOR PLAN

SCALE: 3/16"=1'-0"

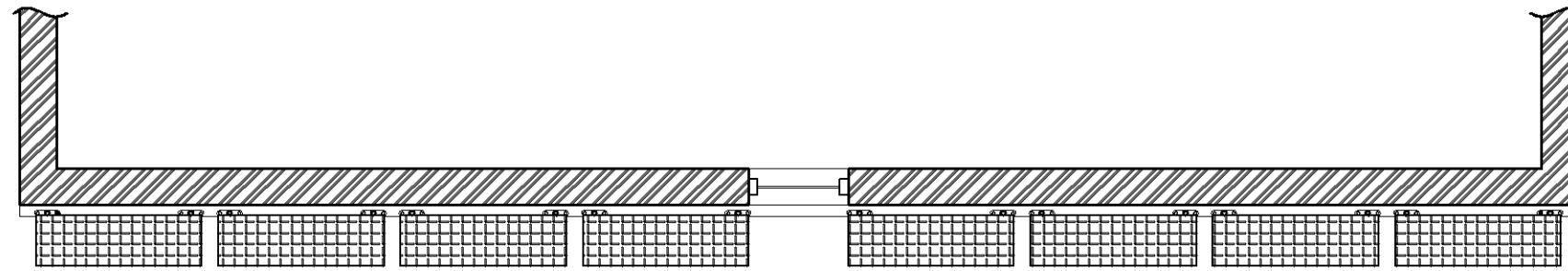
ELEVATIONS



① SOUTH WALL ELEVATION WITH SOLAR PANELS
SCALE: 3/16"=1'-0"

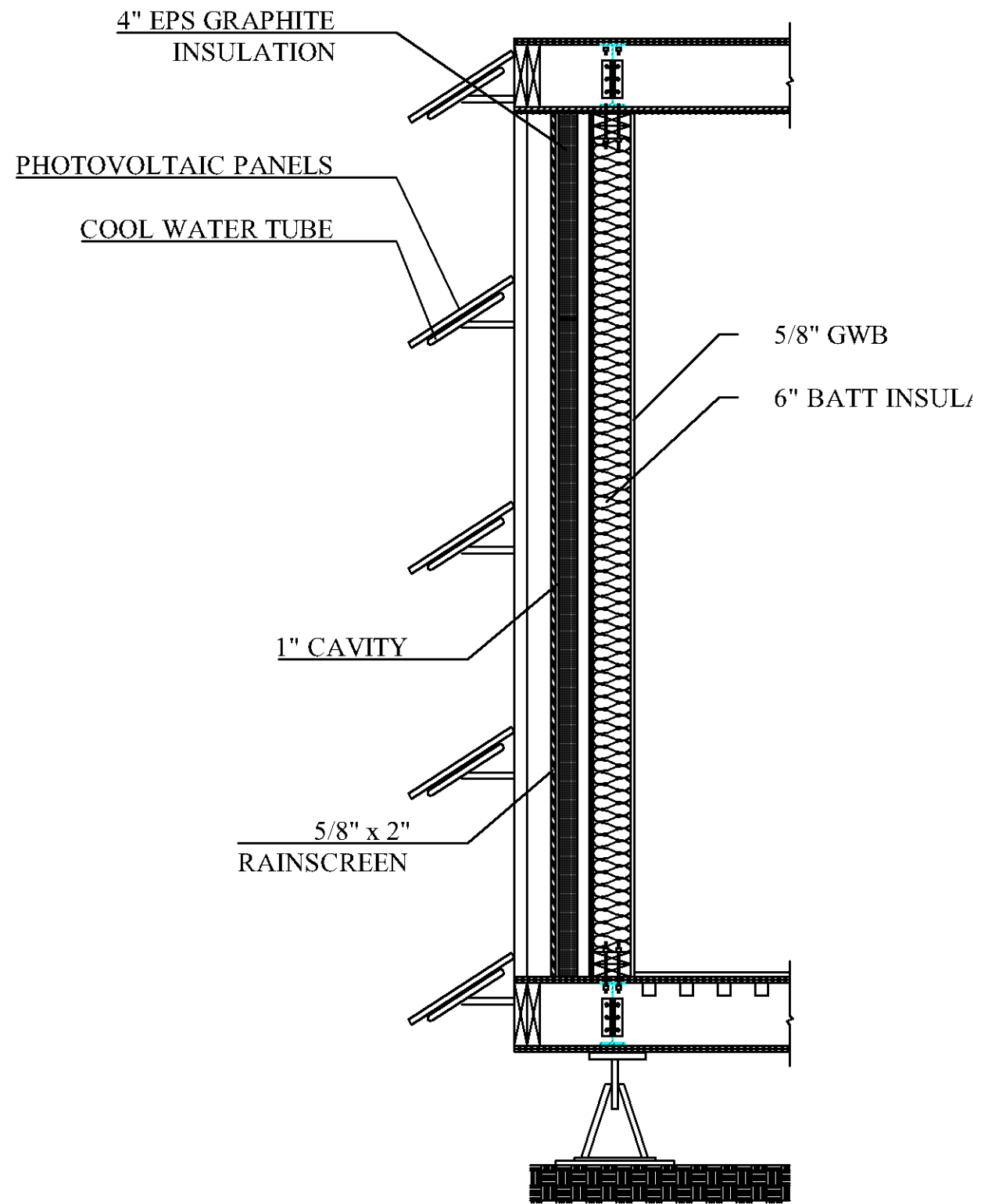


② SOUTH WALL ELEVATION BEHIND SOLAR PANELS
SCALE: 3/16"=1'-0"

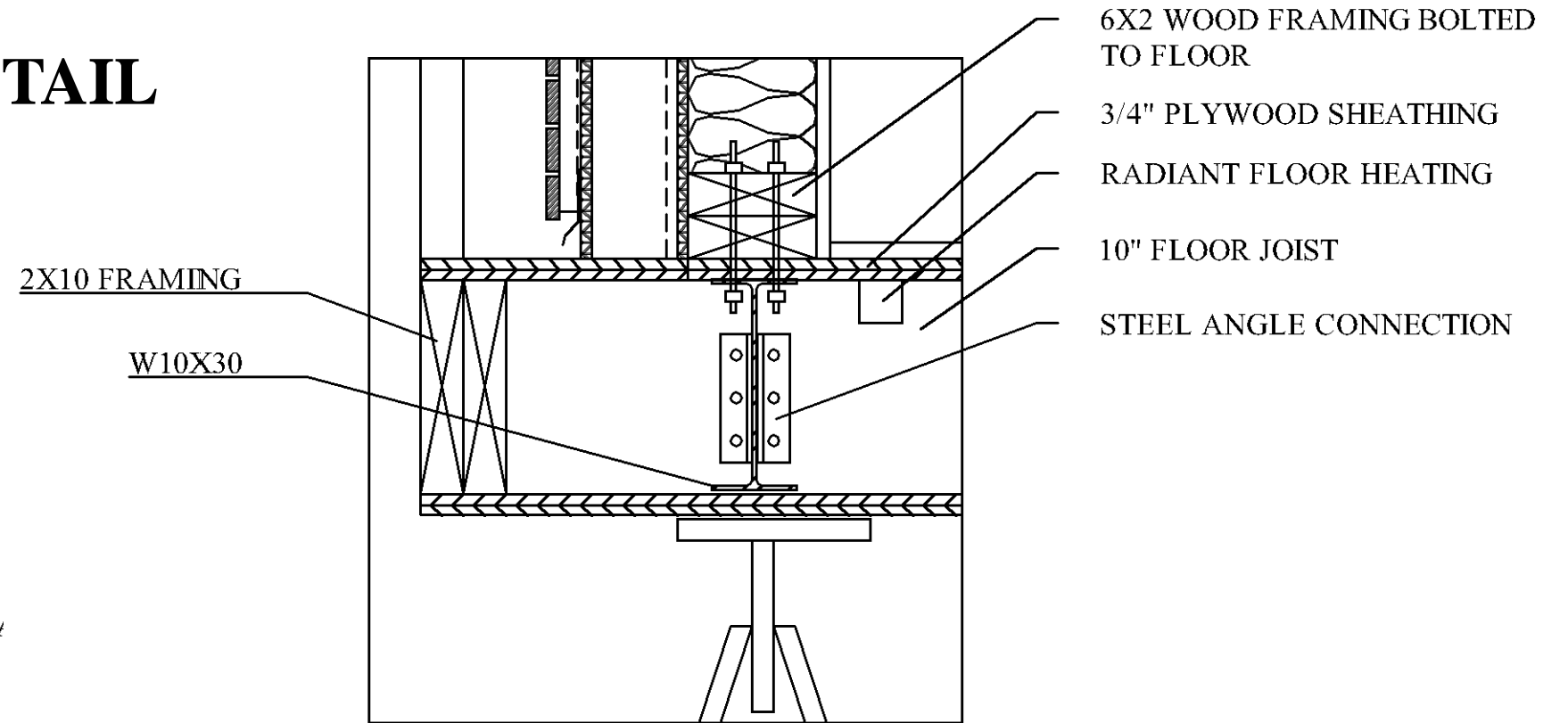


3 SOUTH WALL PLAN
SCALE: 3/16"=1'-0"

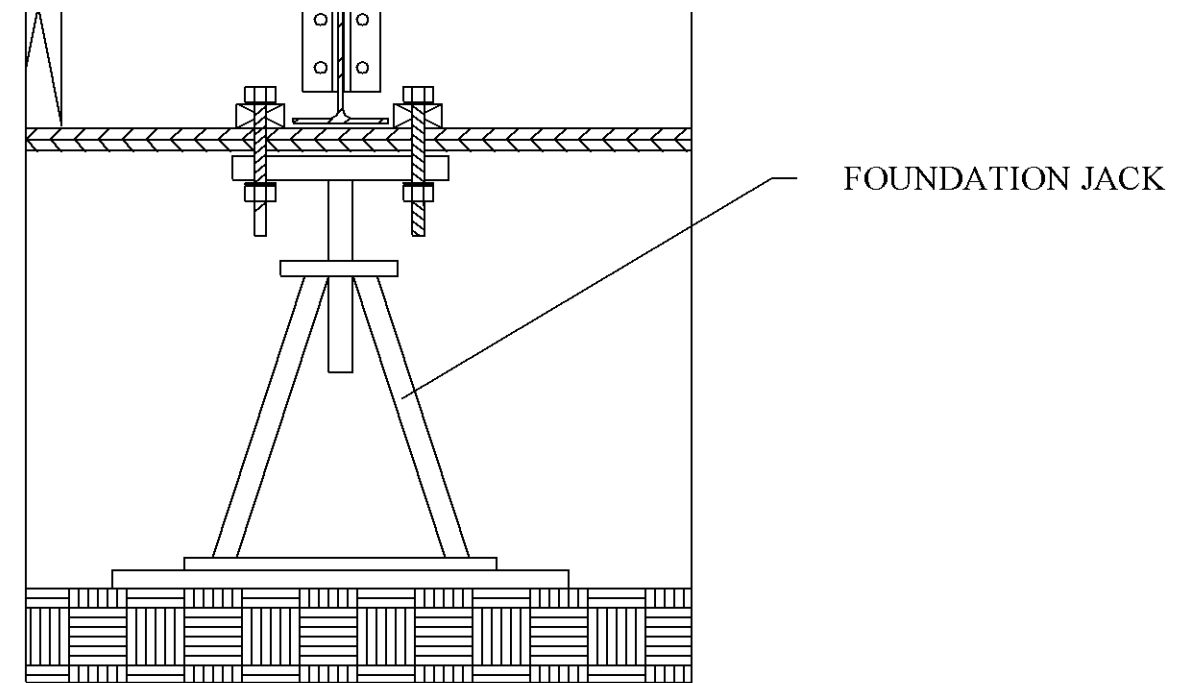
TYPICAL WALL SECTION AND DETAIL



1 SOUTH WALL ASSEMBLY SECTION
SCALE: 1/2"=1'-0"

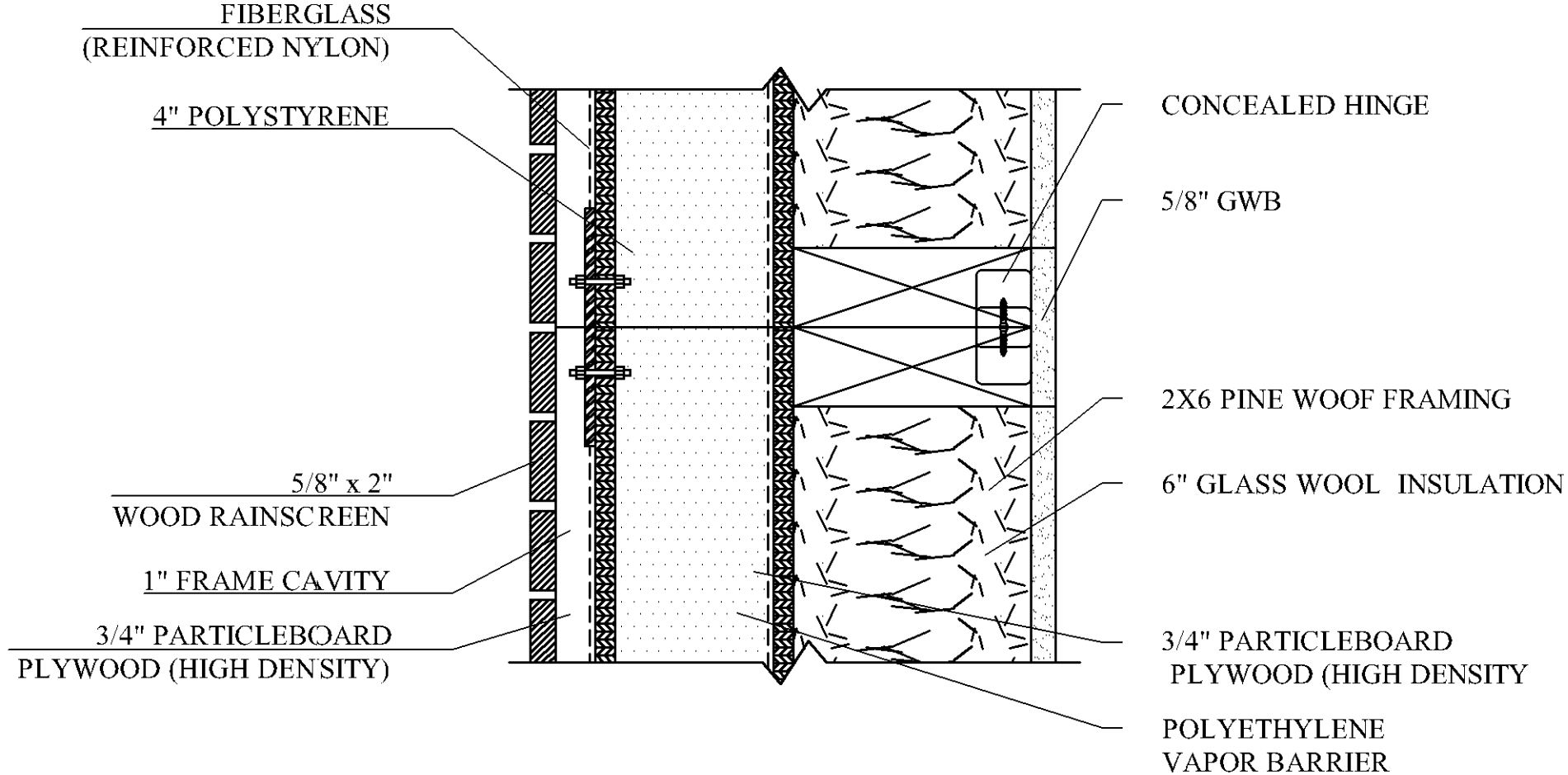


2 BOTTOM OF WALL DETAIL
SCALE: 1 1/2"=1'-0"



3 FOUNDATION DETAIL
SCALE: 1 1/2"=1'-0"

MODUL CONNECTION DETAIL



4 MODULE CONNECTION DETAIL

SCALE: 3"=1'-0"