

1 CURRENT WALL SECTION
SANTA CLARA - RADIANT HOUSE

NOTES:
SANTA CLARA - 2013 SOLAR DECATHLON PROPOSAL

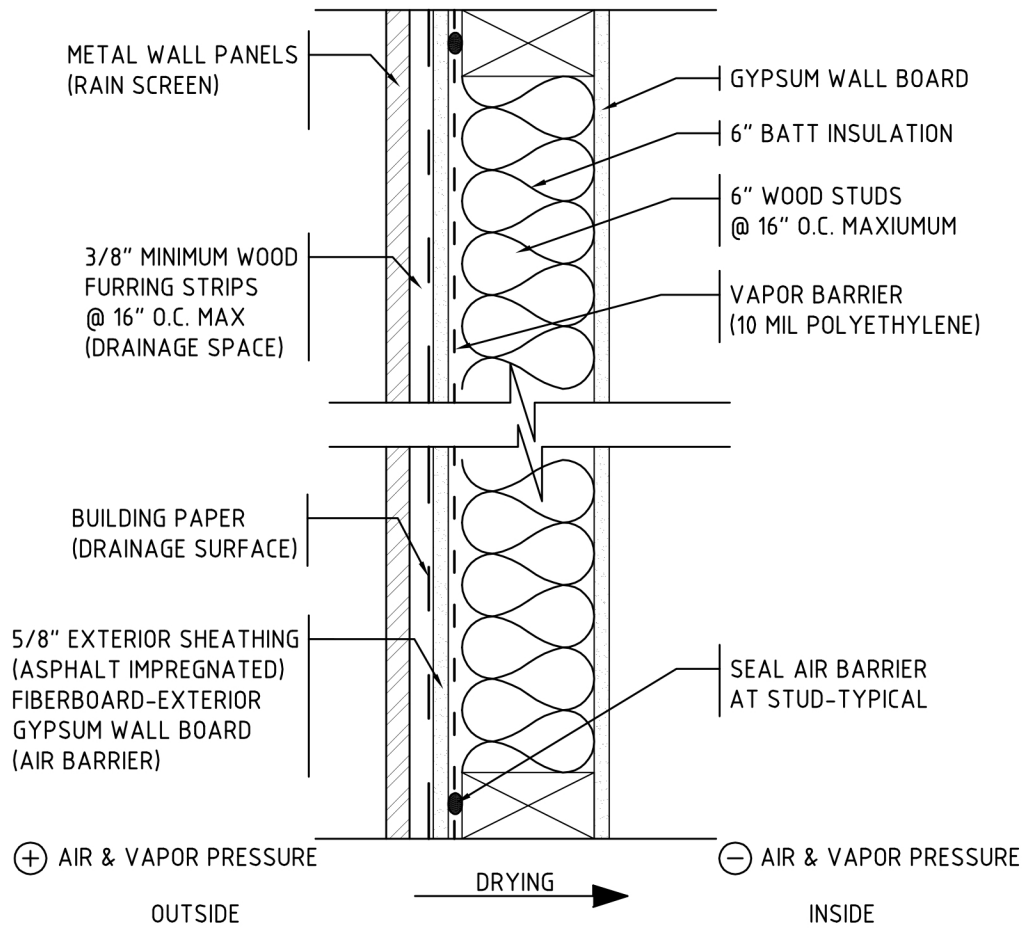
NEW YORK CITY
COLLEGE OF TECHNOLOGY

PROJECTS: CONSTRUCTION DETAILS
DRAWINGS: CURRENT WALL SECTION

SCALE: 1-1/2" = 1'-0"
DRAWN BY: KEITH ALFARO
DATE: FALL 2013

DRAWING NUMBER:

A-1



2 PROPOSED WALL MODIFICATIONS

SANTA CLARA - RADIANT HOUSE (HOT CLIMATE)

NOTES:
SANTA CLARA - 2013 SOLAR DECATHLON PROPOSAL

NEW YORK CITY
COLLEGE OF TECHNOLOGY

PROJECTS: CONSTRUCTION DETAILS

DRAWINGS: PROPOSED WALL MODIFICATIONS

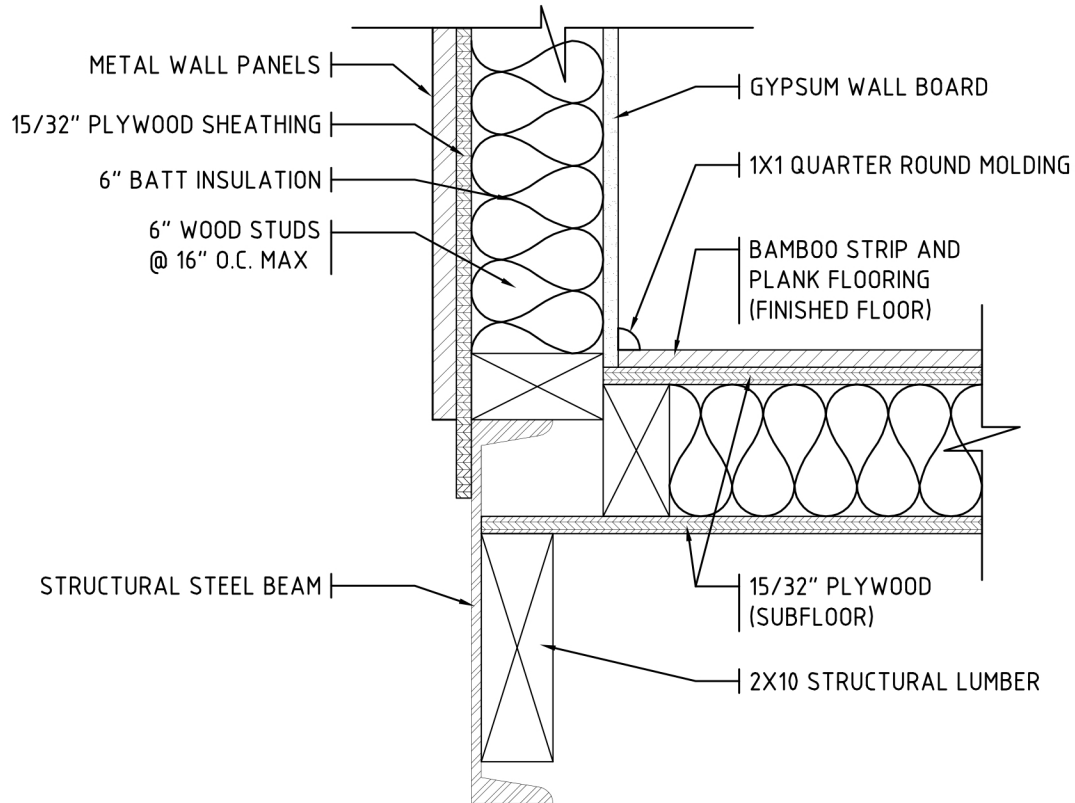
SCALE: 1-1/2" = 1'-0"

DRAWN BY: KEITH ALFARO

DATE: FALL 2013

DRAWING NUMBER:

A-2



3 CURRENT WALL TO FLOOR DETAIL
SANTA CLARA - RADIANT HOUSE

NOTES:
SANTA CLARA - 2013 SOLAR DECATHLON PROPOSAL

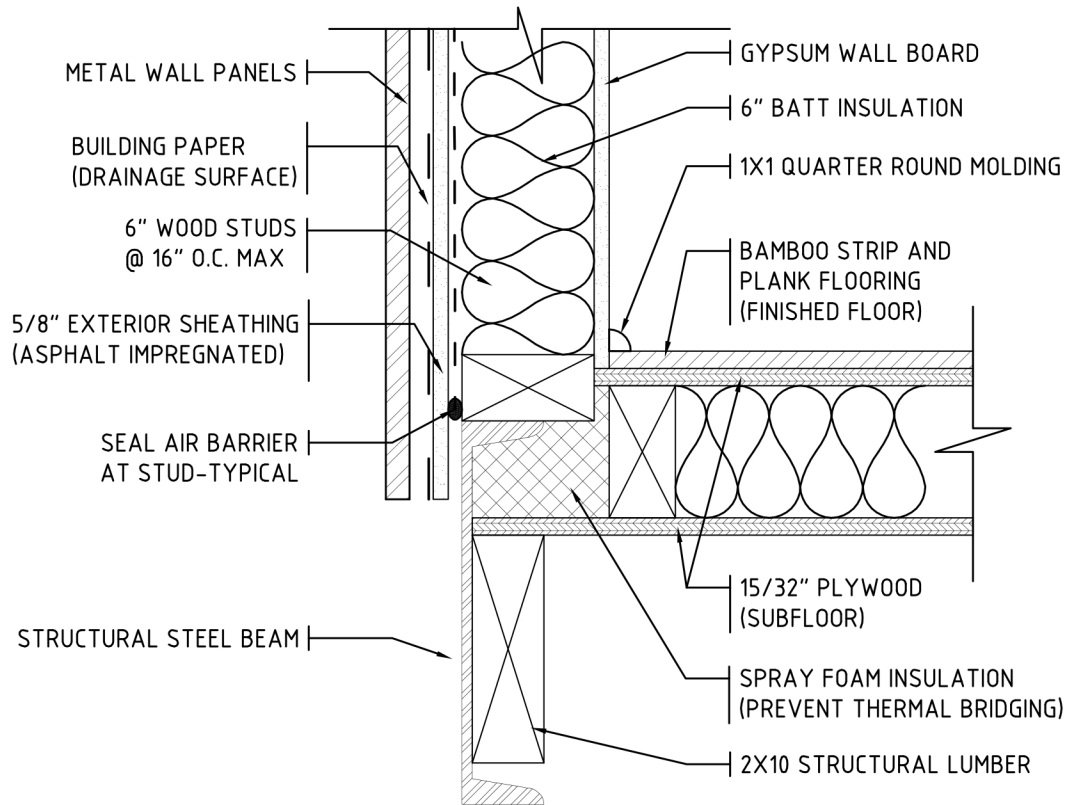
NEW YORK CITY
COLLEGE OF TECHNOLOGY

PROJECTS: CONSTRUCTION DETAILS
DRAWINGS: CURRENT WALL TO FLOOR DETAIL

SCALE: 1-1/2" = 1'-0"
DRAWN BY: KEITH ALFARO
DATE: FALL 2013

DRAWING NUMBER:

A-3



4 PROPOSED WALL TO FLOOR DETAIL MODIFICATION
 SANTA CLARA - RADIANT HOUSE

NOTES:
 SANTA CLARA - 2013 SOLAR DECATHLON PROPOSAL

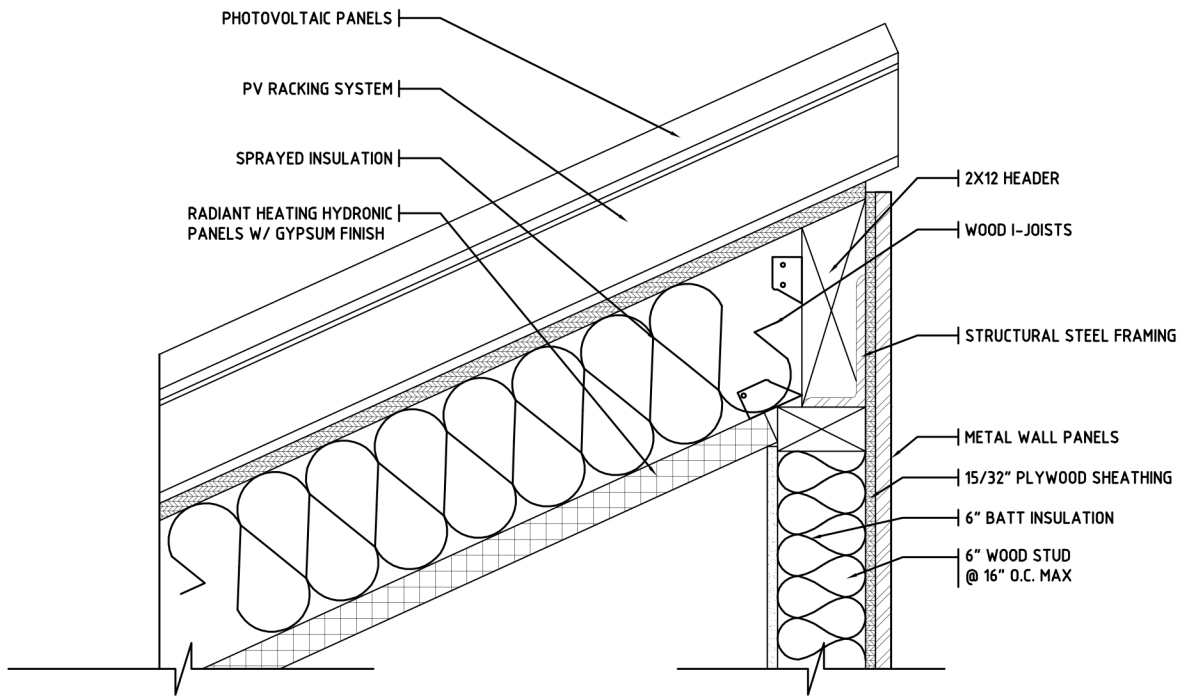
NEW YORK CITY
 COLLEGE OF TECHNOLOGY

PROJECTS: CONSTRUCTION DETAILS
 DRAWINGS: PROPOSED WALL/SLAB DETAIL MODIFICATION

SCALE: 1-1/2" = 1'-0"
 DRAWN BY: KEITH ALFARO
 DATE: FALL 2013

DRAWING NUMBER:

A-4



5 CURRENT WALL TO CEILING DETAIL
SANTA CLARA - RADIANT HOUSE

NOTES:
SANTA CLARA - 2013 SOLAR DECATHLON PROPOSAL

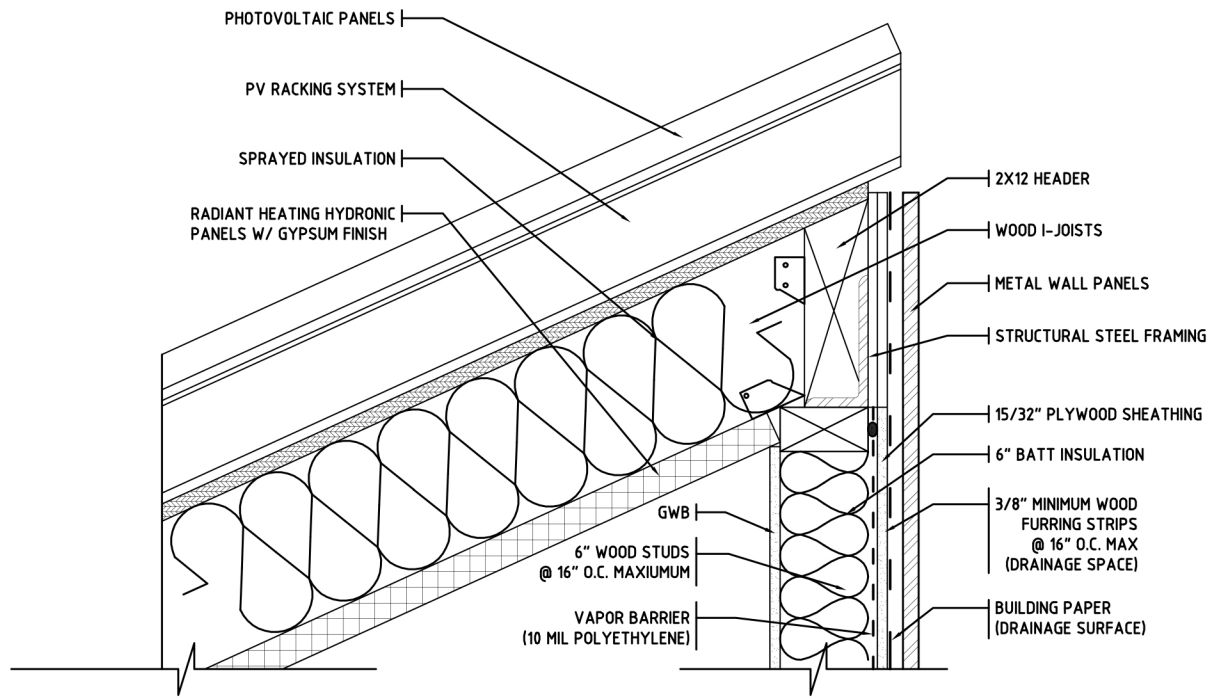
NEW YORK CITY
COLLEGE OF TECHNOLOGY

PROJECTS: CONSTRUCTION DETAILS
DRAWINGS: CURRENT WALL TO CEILING DETAIL

SCALE: 1" = 1'-0"
DRAWN BY: KEITH ALFARO
DATE: FALL 2013

DRAWING NUMBER:

A-5



6 PROPOSED WALL TO CEILING DETAIL MODIFICATION
 SANTA CLARA - RADIANT HOUSE

NOTES:
 SANTA CLARA - 2013 SOLAR DECATHLON PROPOSAL

NEW YORK CITY
 COLLEGE OF TECHNOLOGY

PROJECTS: CONSTRUCTION DETAILS	
DRAWINGS: PROPOSED WALL TO CEILING DETAIL MODIFICATION	
SCALE: 1" = 1'-0"	DRAWING NUMBER: A-6
DRAWN BY: KEITH ALFARO	
DATE: FALL 2013	