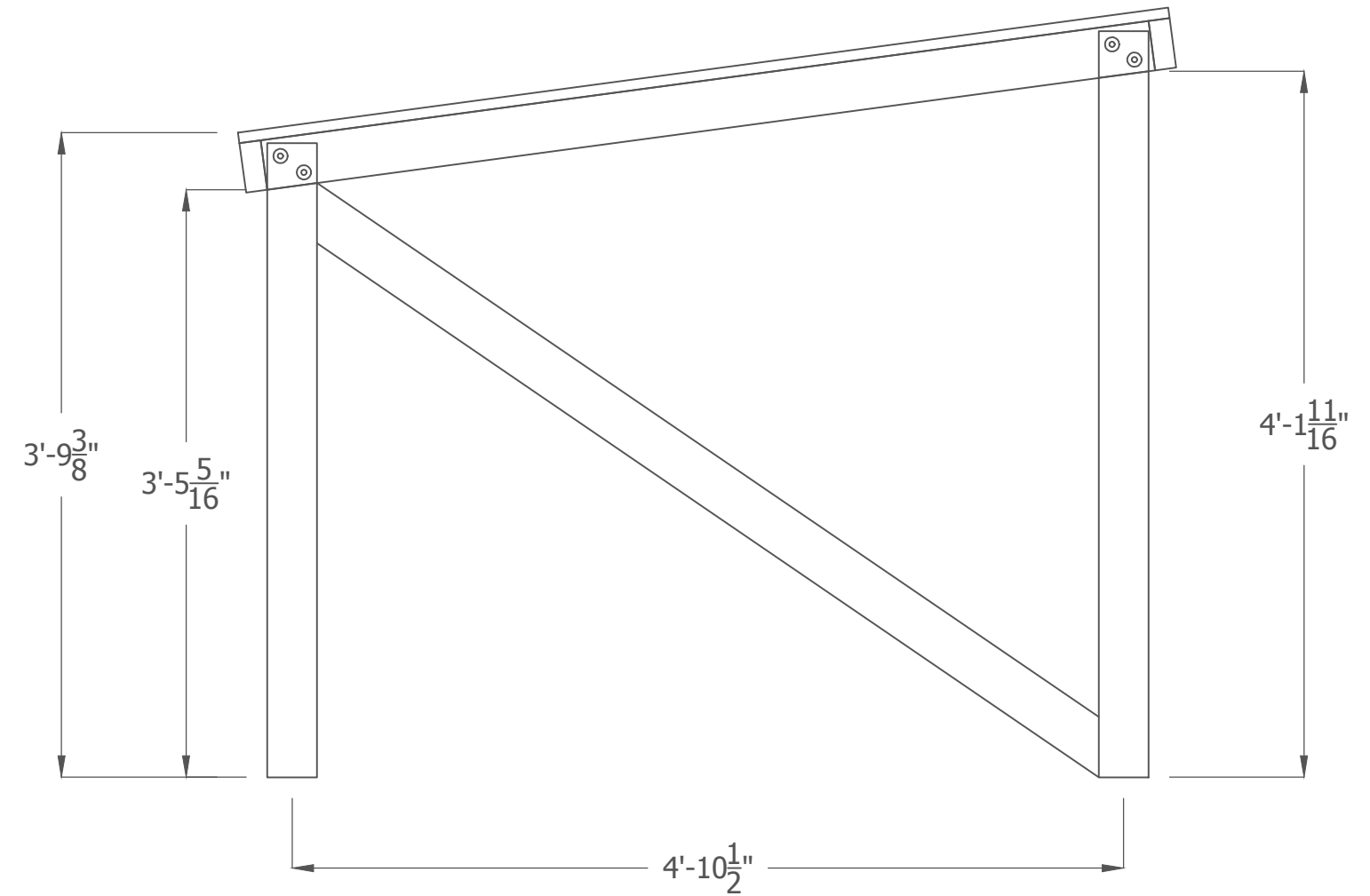
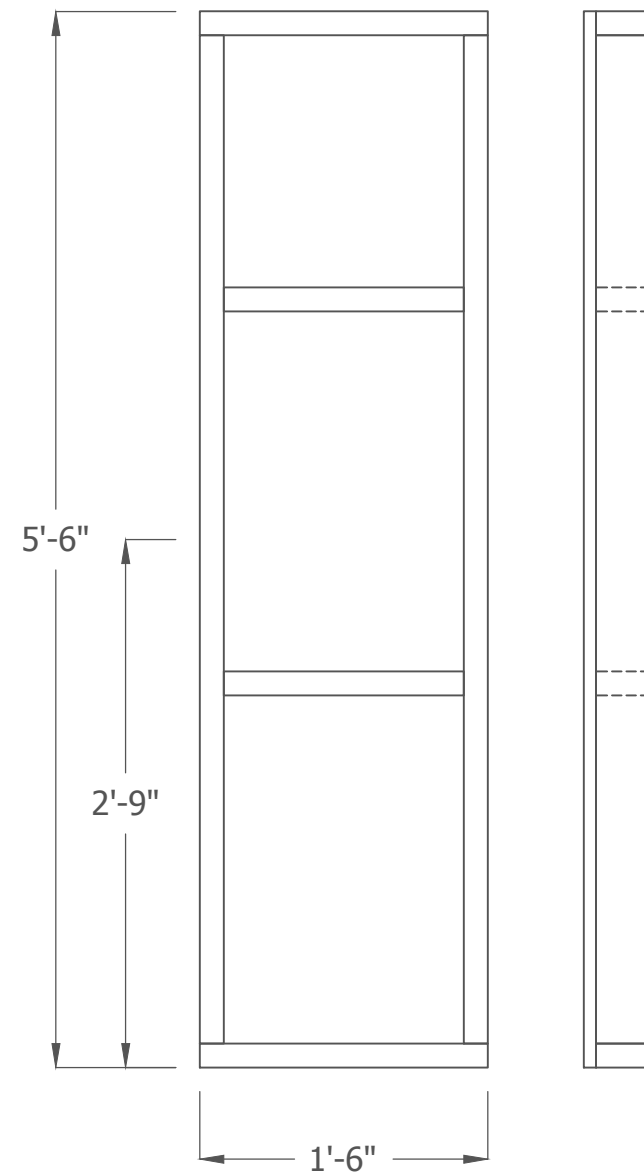
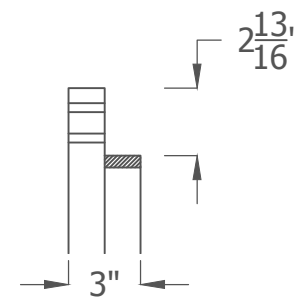


- 1 Assemble frame using 2x4 Pine with wood glue and 3" drywall screws. Lid with $\frac{3}{4}$ " A/C Plywood.



- 2 Assemble step legs using $2 \frac{1}{2}$ " drywall screws and wood glue. Outer leg has 8° bevel. Pre drill holes for $\frac{3}{8}$ " hex bolts using $\frac{1}{16}$ " oversize bit while platform is upside down. Downstage leg should abut rail. Leave $\frac{1}{4}$ " gap between lid and leg at closest point.



Leg Detail - Elevation View

NYC COLLEGE OF TECHNOLOGY	
ENT 4410 - Technical Direction	
Problem 2	PLATE NO.
Platform B Construction	PB
SCALE: 1" = 1' - 0"	
DATE: 2/20/2023	
DRAFTER: COLIN NORMAN	