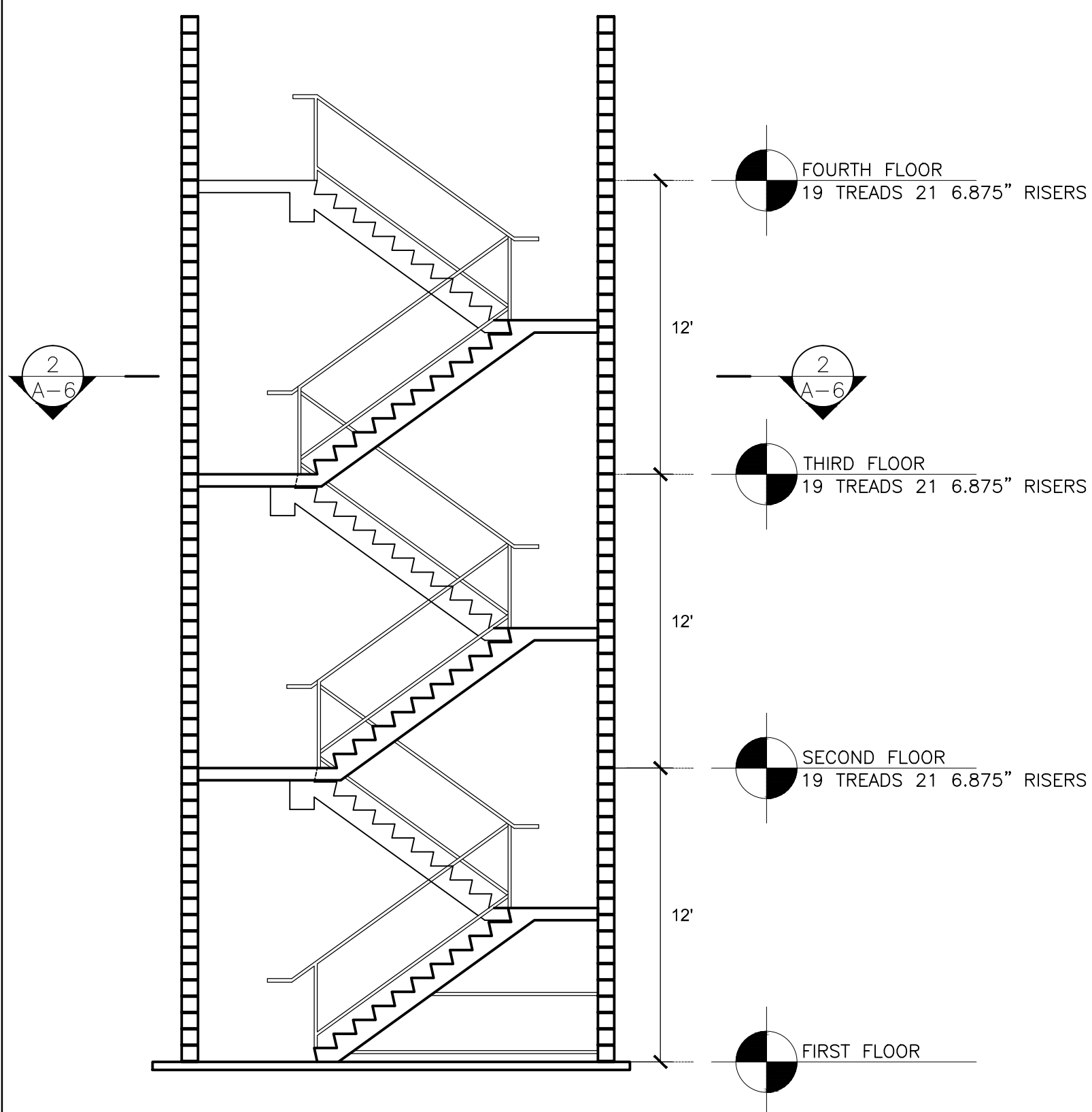
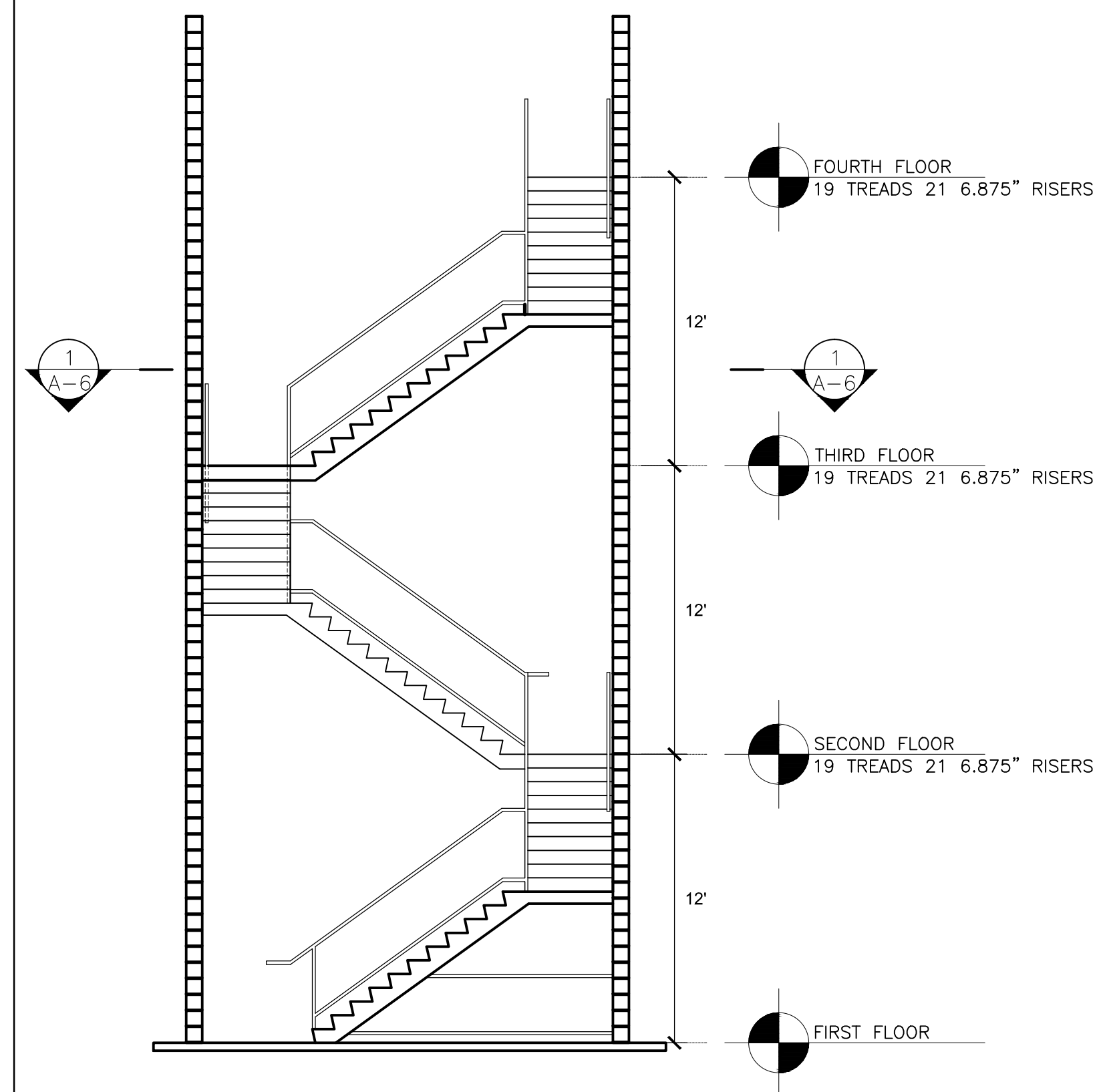


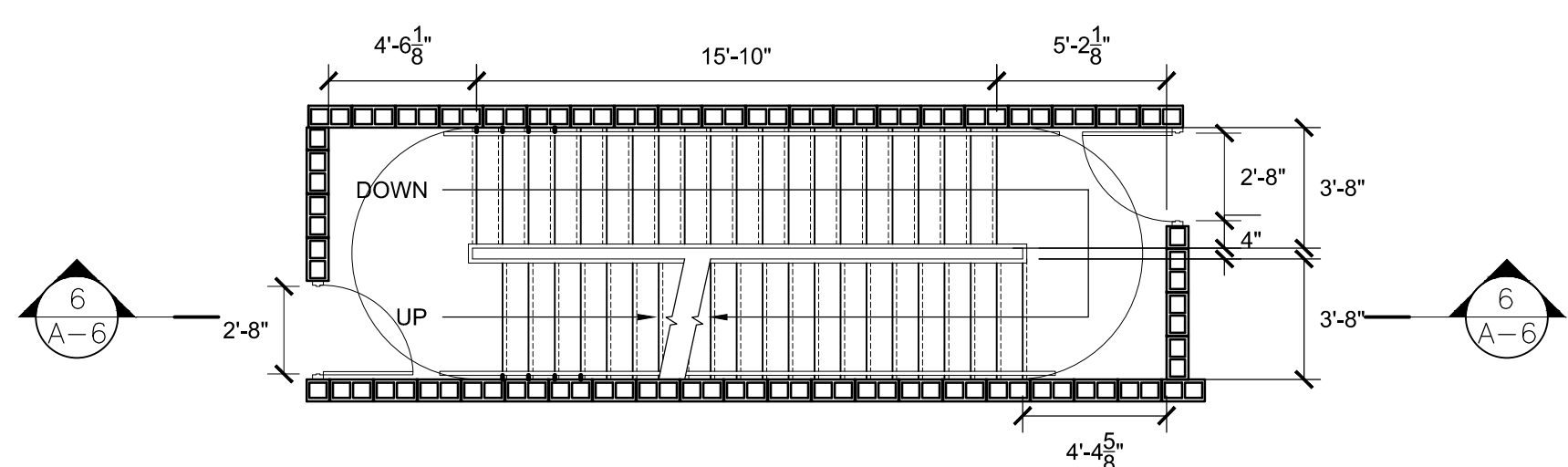
6 12' STRAIGHT STAIR SECTION
DRAWING SCALE (3/16"=1'-0")



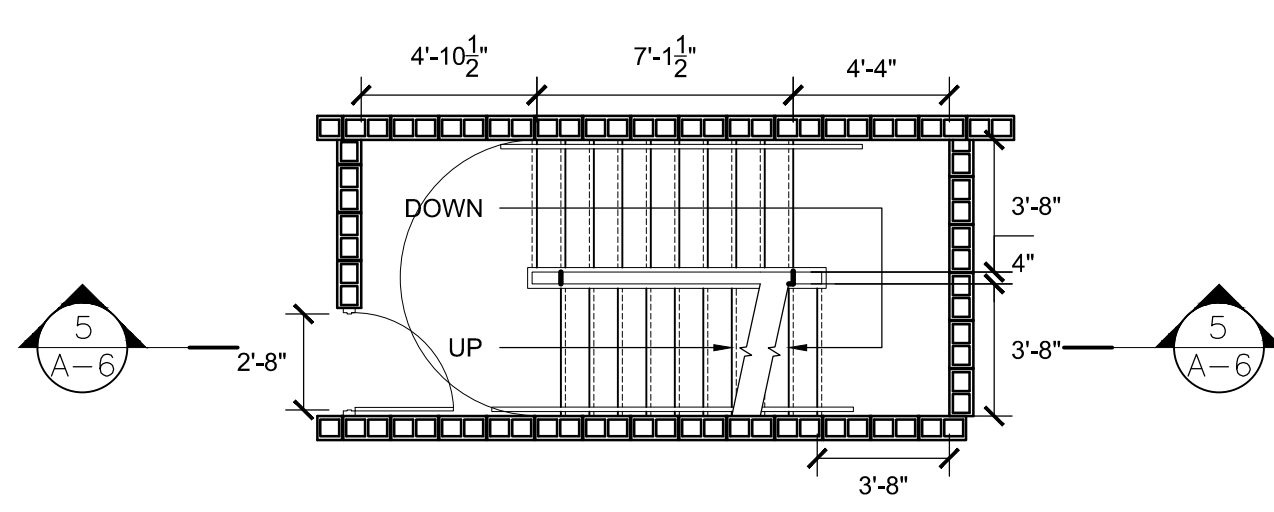
5 12' U SHAPE STAIR SECTION
DRAWING SCALE (3/16"=1'-0")



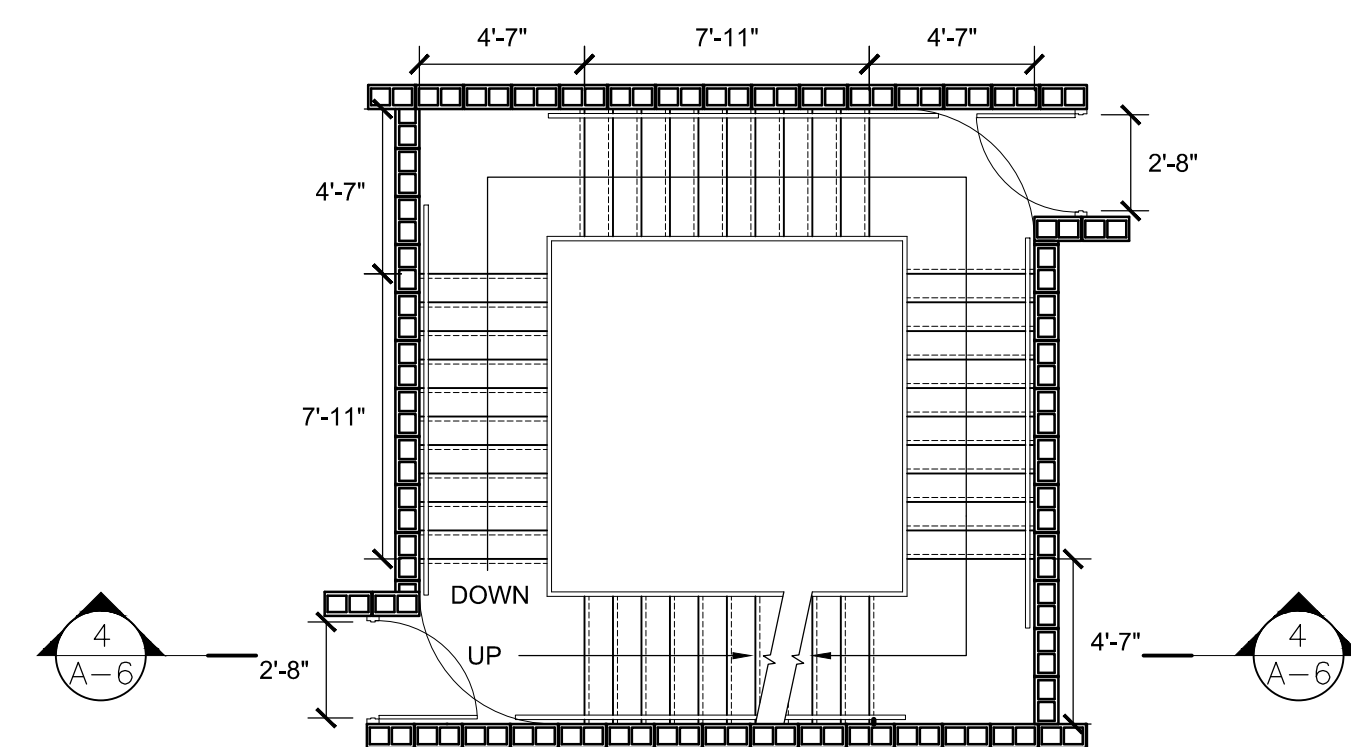
4 12' L SHAPE STAIR SECTION
DRAWING SCALE (3/16"=1'-0")



3 12' STRAIGHT STAIR PLAN
DRAWING SCALE (3/16"=1'-0")



2 12' U SHAPE STAIR PLAN
DRAWING SCALE (3/16"=1'-0")



1 12' L SHAPE STAIR PLAN
DRAWING SCALE (3/16"=1'-0")

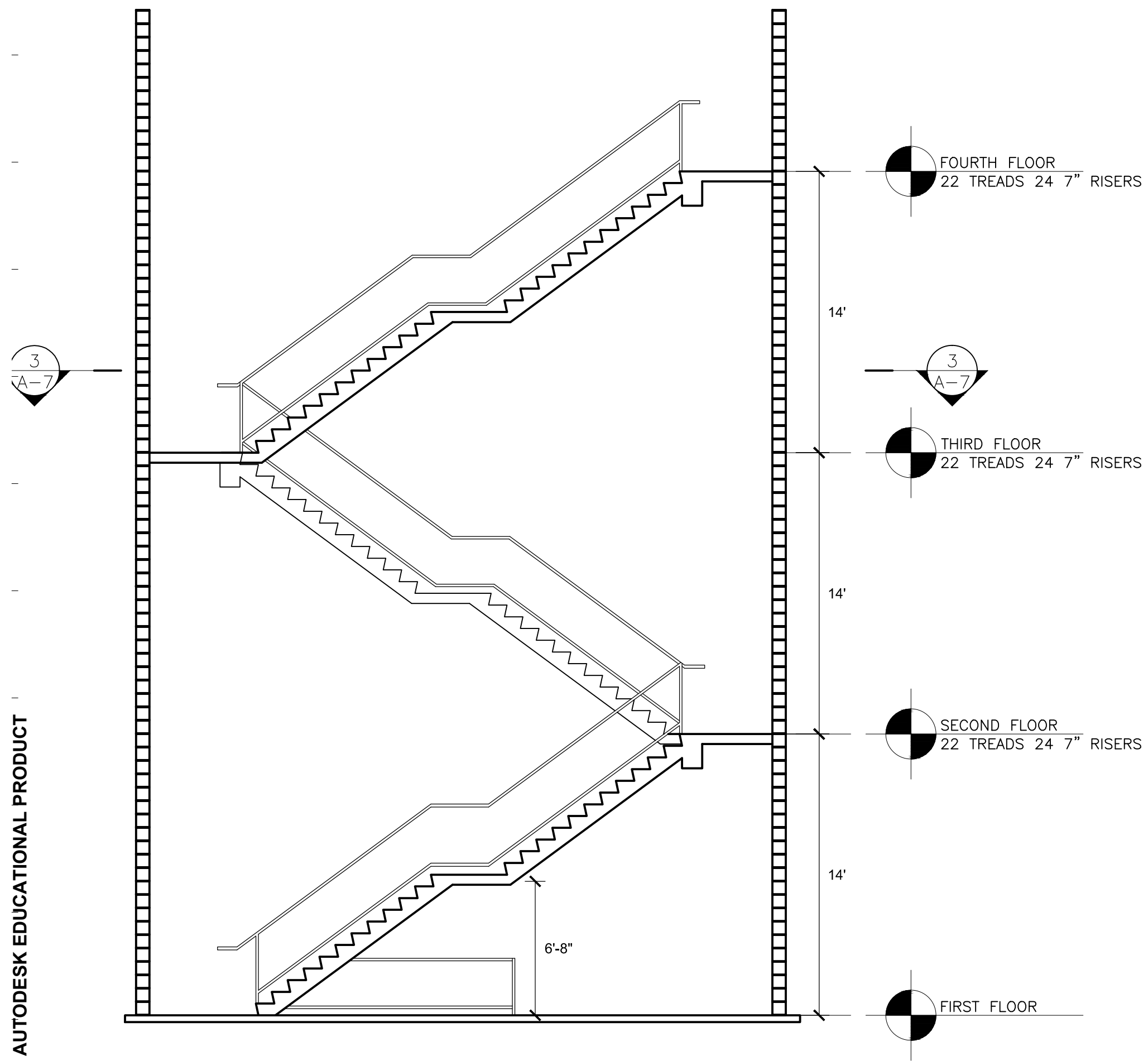
PROJECT:
ARCH 2330
CITYTECH / PAUL KING / 2014 FALL

DWG TITLE:
ASSIGNMENT 6
STAIRS

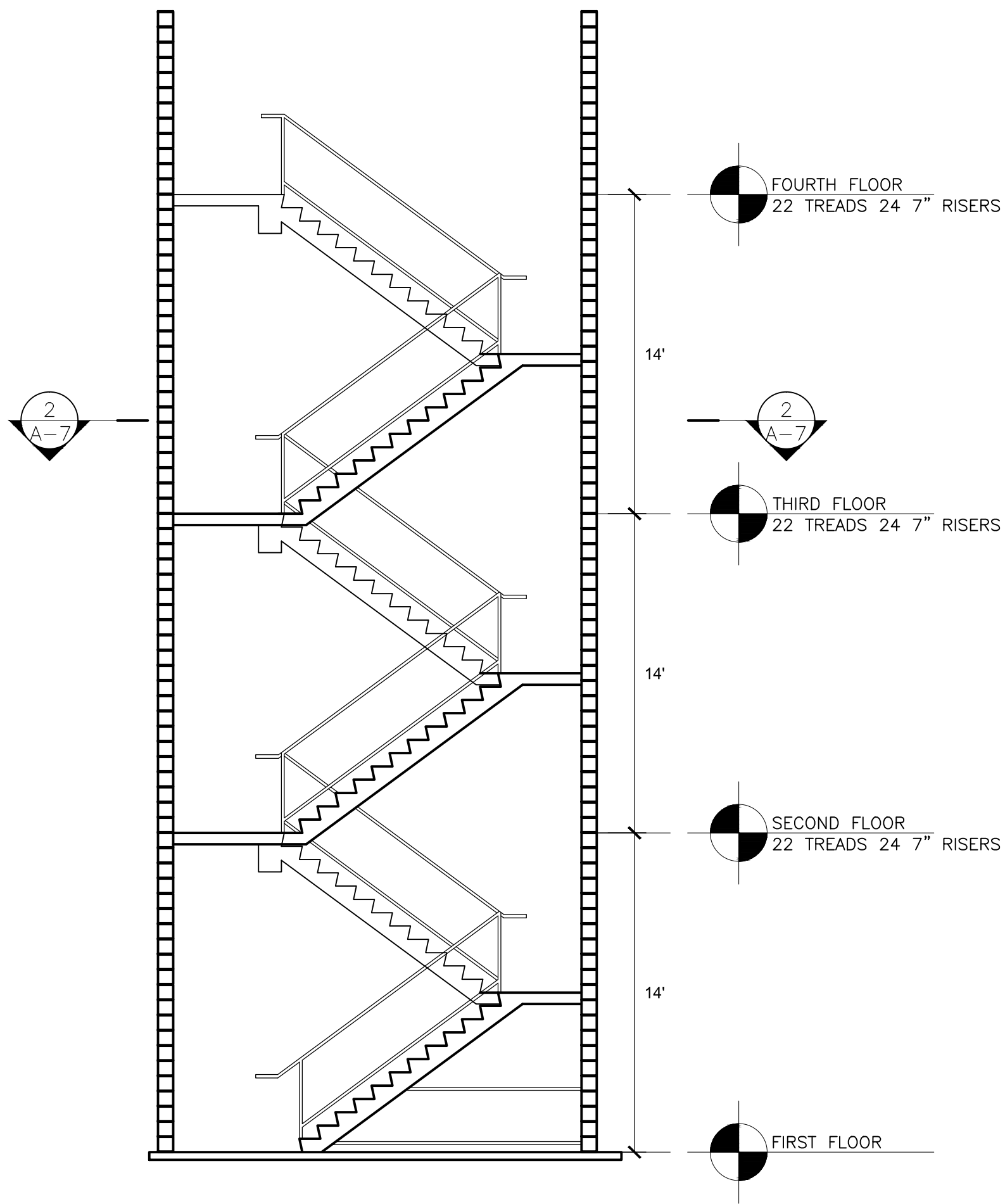
SEAL & SIGNATURE	DATE:	2014 09 29
	PROJECT NO.:	2330_3
	DRAWING BY:	JAMES RIGLEY
	CHK BY:	PK
	DWG NO.:	A-6
CADD FILE NO.:	PAGE:	
SCALE : 3/16" = 1'		arch2330_KING_2014_fall_RIGLEY_JAMES_assign A 2

PRODUCED BY AN AUTODESK EDUCATIONAL PRODUCT

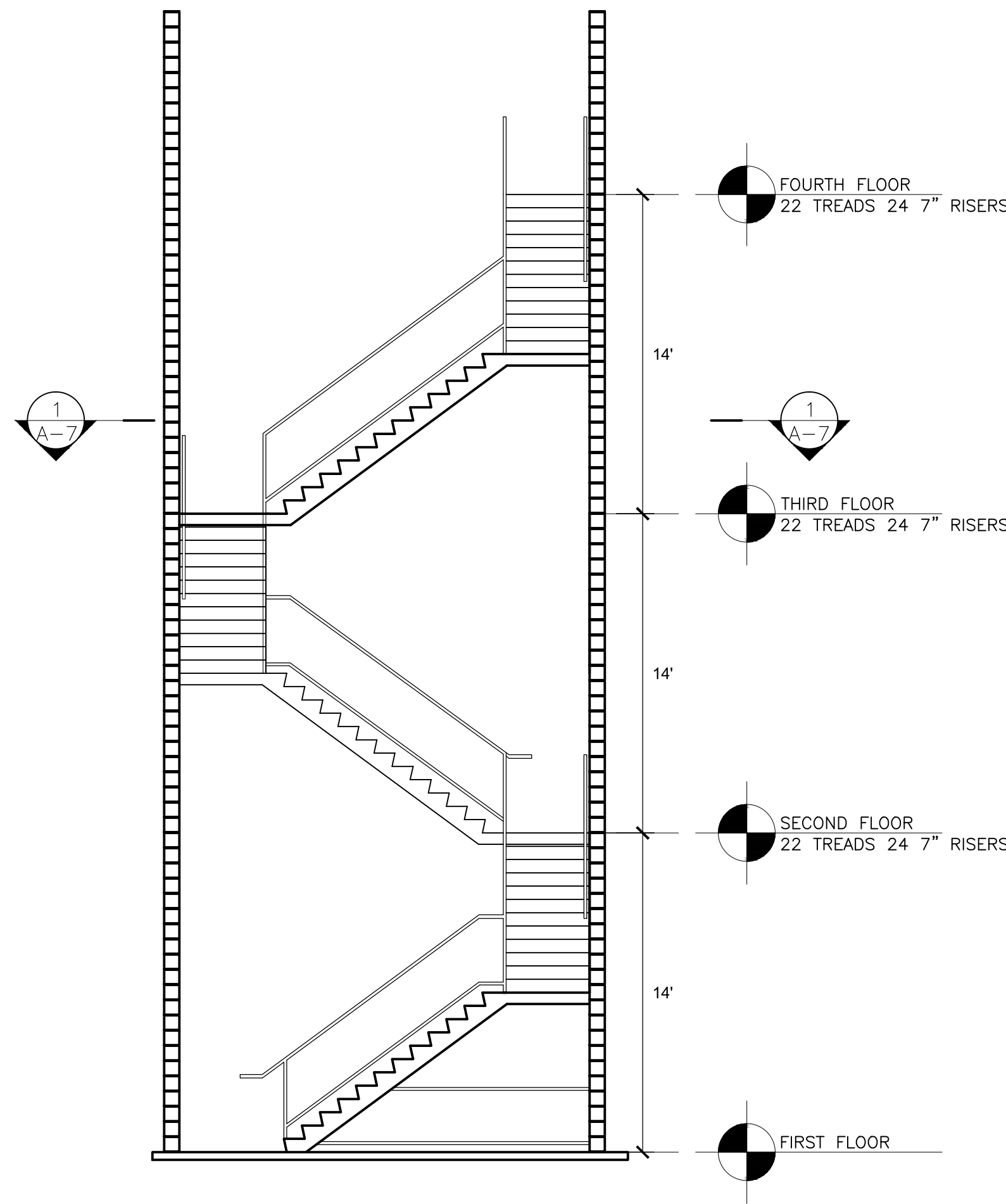
PRODUCED BY AN AUTODESK EDUCATIONAL PRODUCT



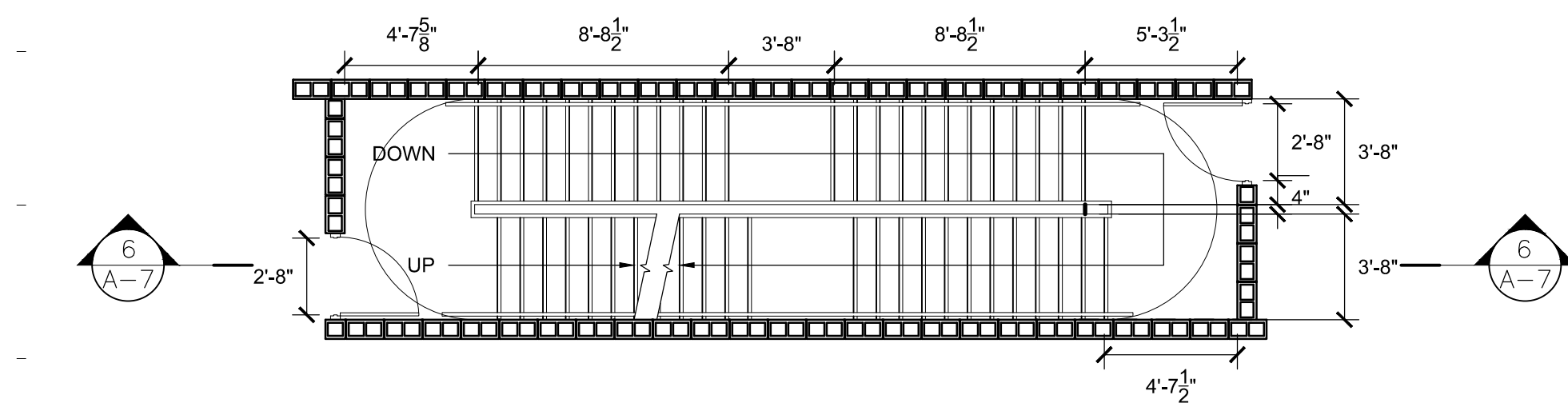
6
A-7
14' STRAIGHT STAIR SECTION
DRAWING SCALE (3/16"=1'-0")



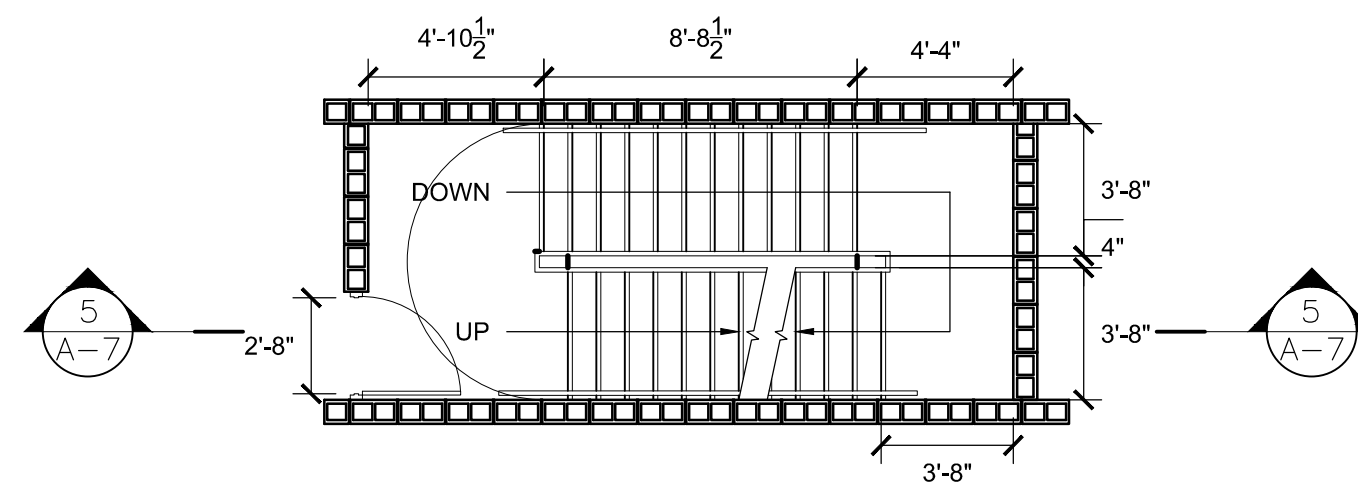
5
A-7
14' U SHAPE STAIR SECTION
DRAWING SCALE (3/16"=1'-0")



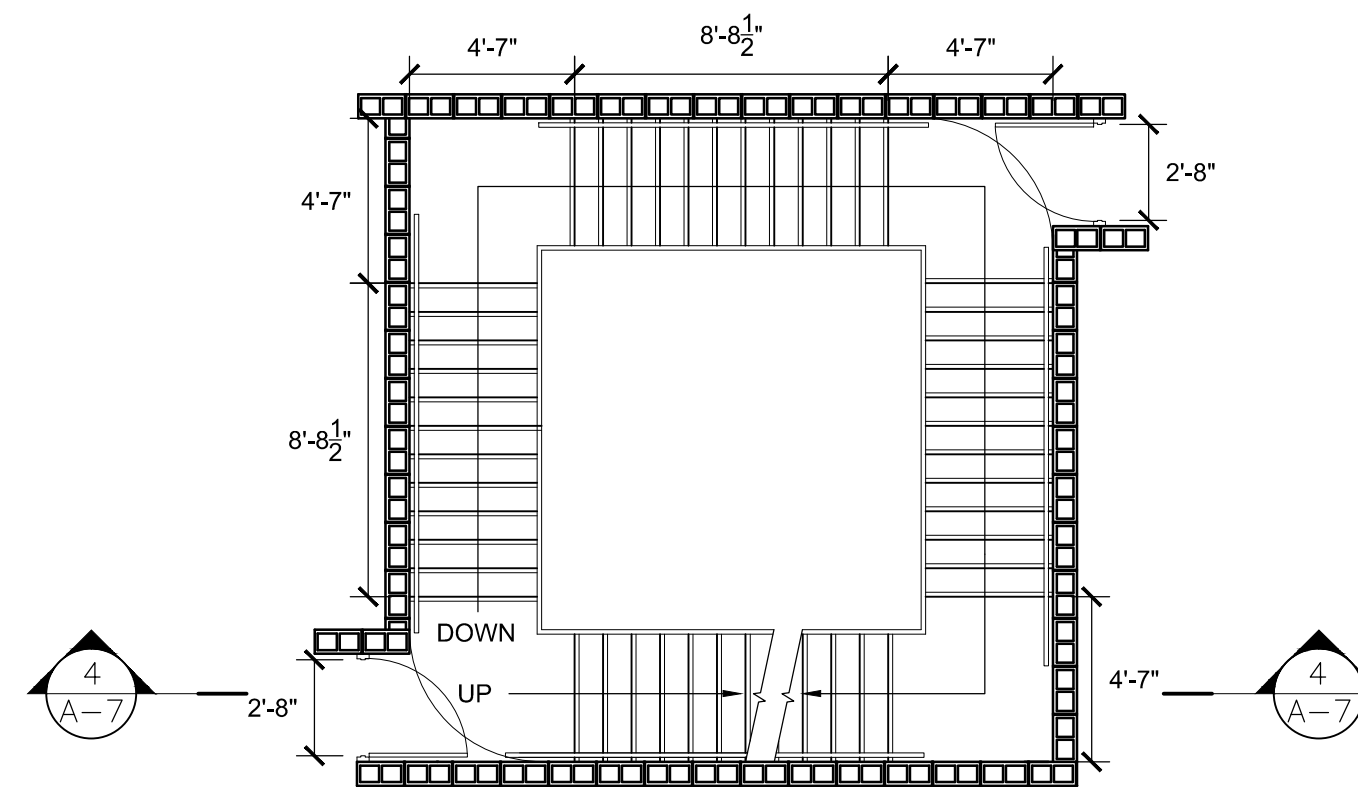
4
A-7
14' L SHAPE STAIR SECTION
DRAWING SCALE (3/16"=1'-0")



3
A-7
14' STRAIGHT STAIR PLAN
DRAWING SCALE (3/16"=1'-0")



2
A-7
14' U SHAPE STAIR PLAN
DRAWING SCALE (3/16"=1'-0")



1
A-7
14' L SHAPE STAIR PLAN
DRAWING SCALE (3/16"=1'-0")

PROJECT:
ARCH 2330
CITYTECH / PAUL KING / 2014 FALL

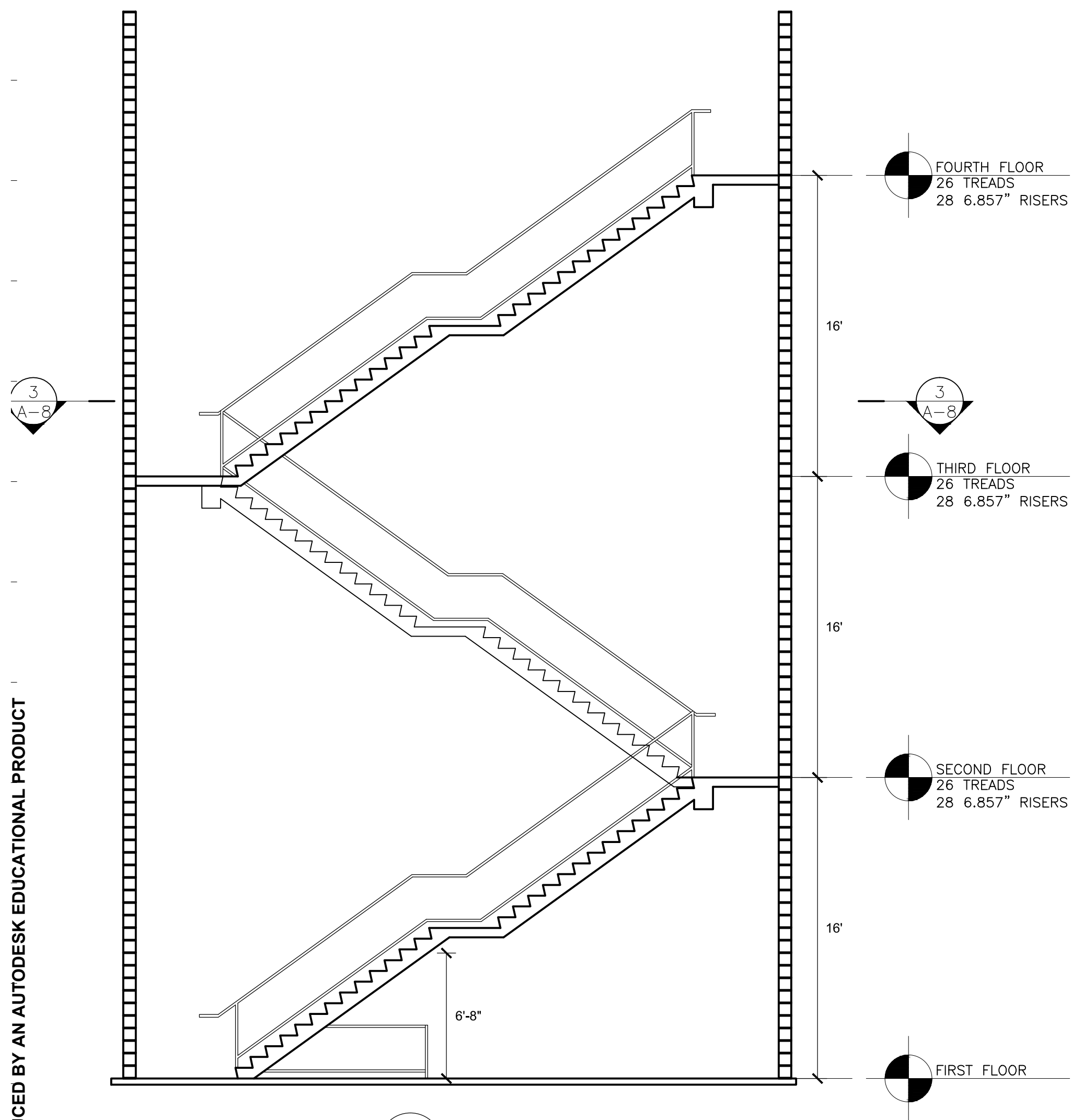
DWG TITLE:
ASSIGNMENT 6
STAIRS

SEAL & SIGNATURE	DATE:	2014 29 17
	PROJECT NO.:	2330_3
	DRAWING BY:	JAMES RIGLEY
	CHK BY:	PK
	DWG NO.:	A-7
CADD FILE NO.:	PAGE:	

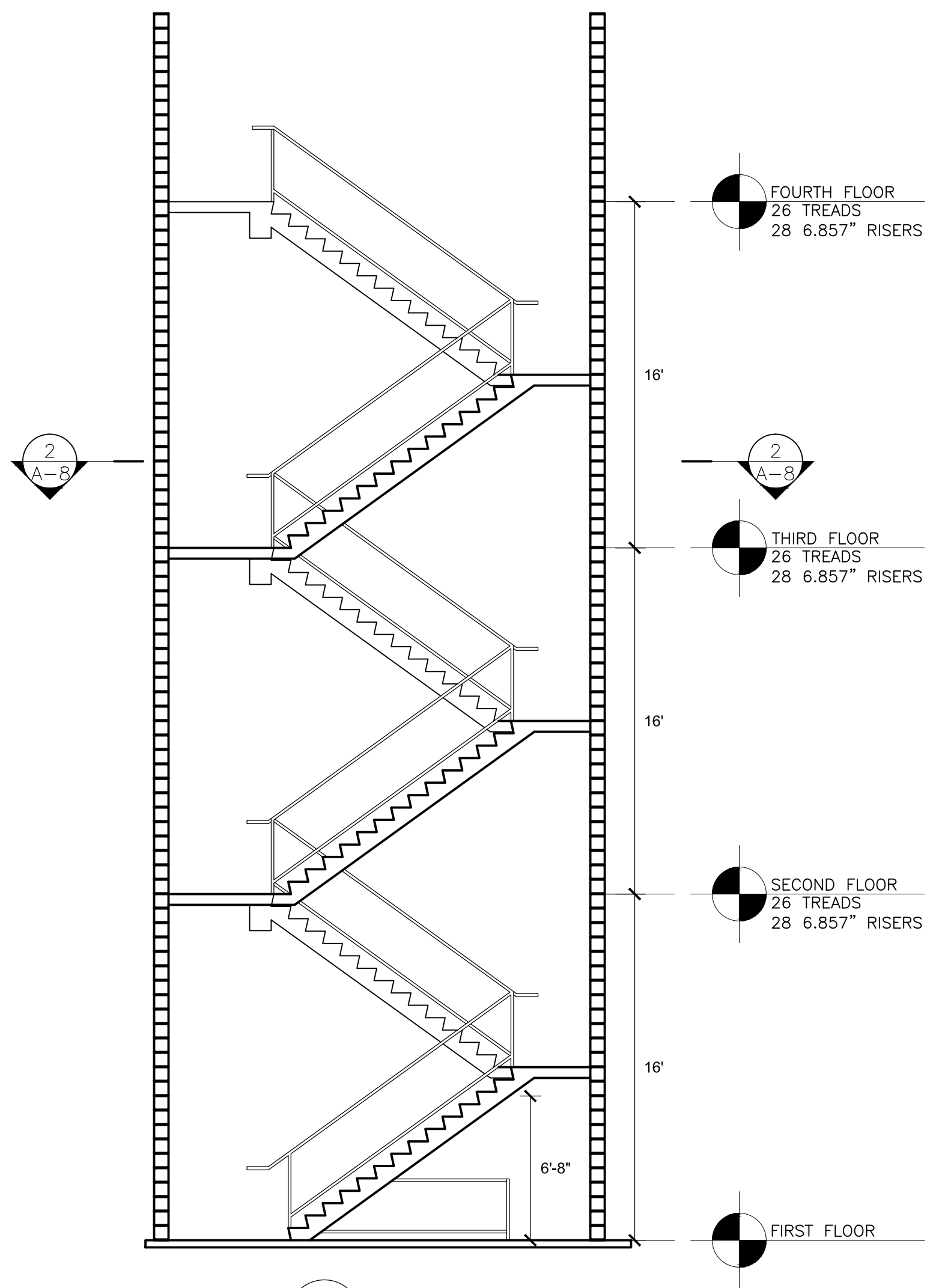
SCALE : 3/16" = 1'
arch2330_KING_2014_fall_RIGLEY_JAMES_assign A 2 | 7 of 8

PRODUCED BY AN AUTODESK EDUCATIONAL PRODUCT

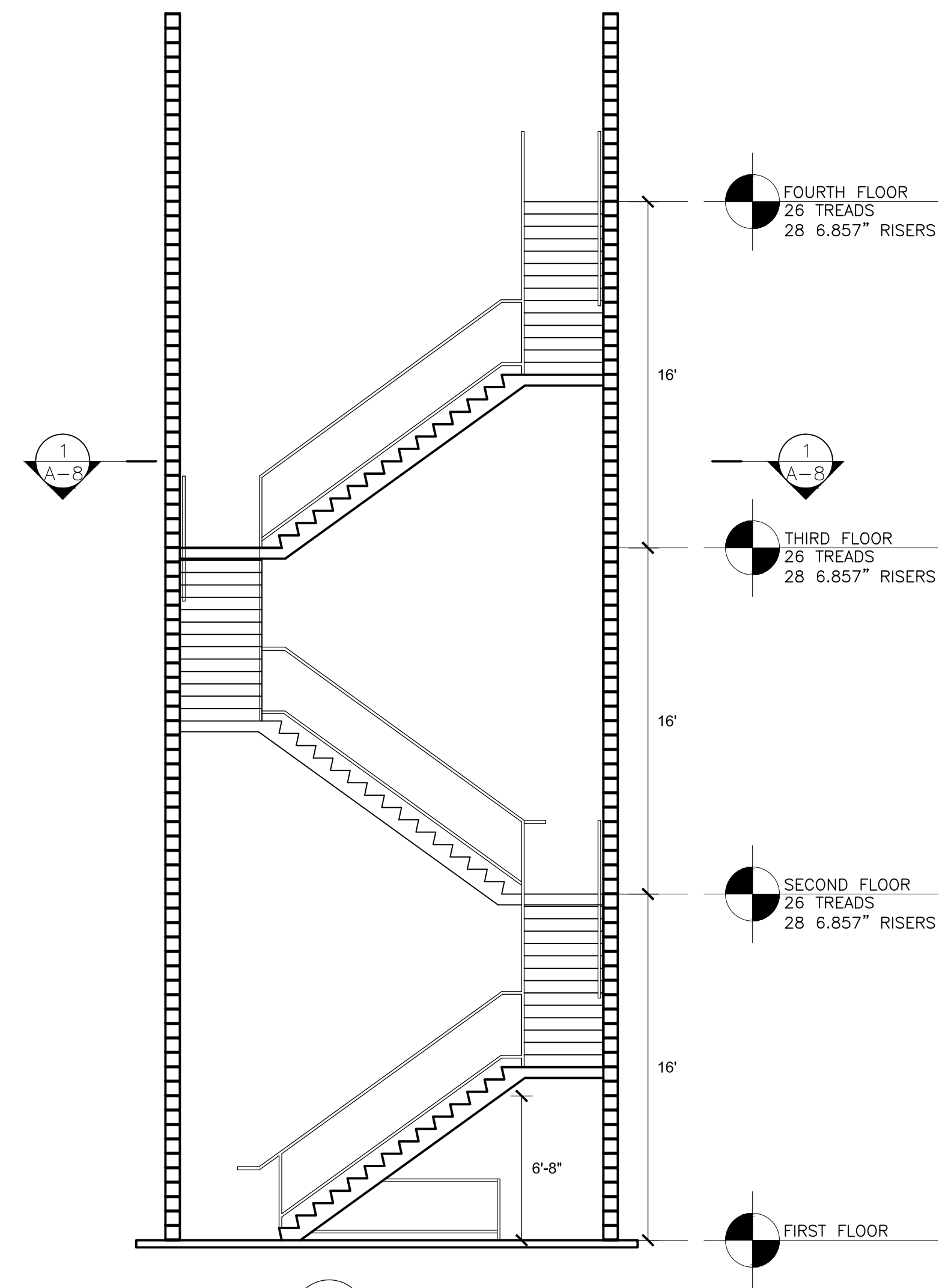
PRODUCED BY AN AUTODESK EDUCATIONAL PRODUCT



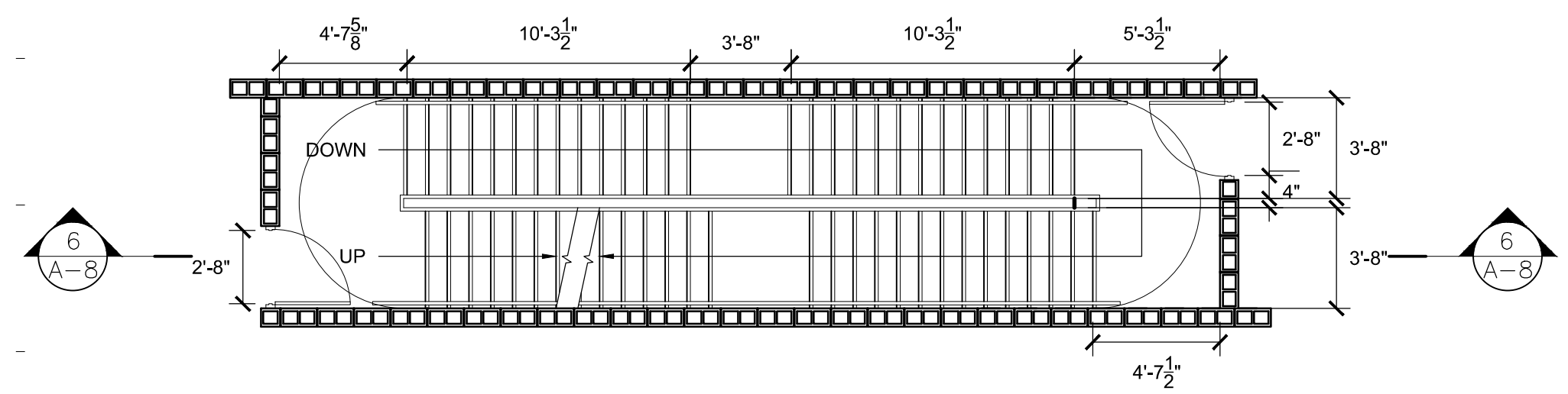
6
A-8 **16' STRAIGHT STAIR SECTION**
DRAWING SCALE (3/16"=1'-0")



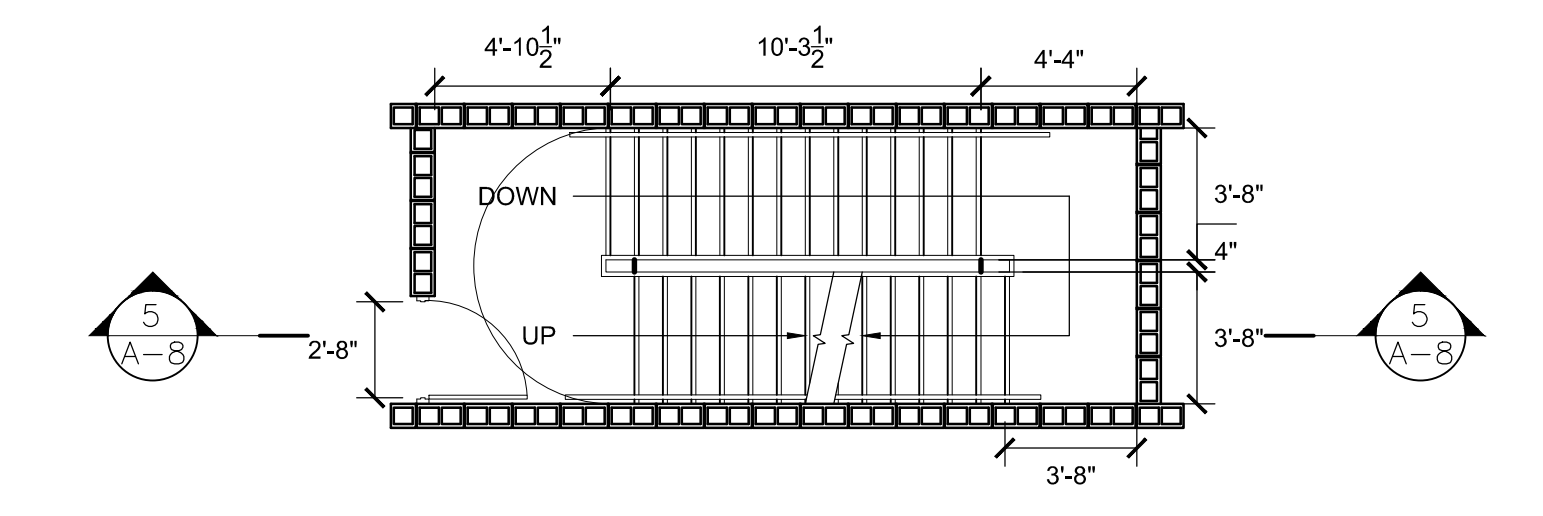
5
A-8 **16' U SHAPE STAIR SECTION**
DRAWING SCALE (3/16"=1'-0")



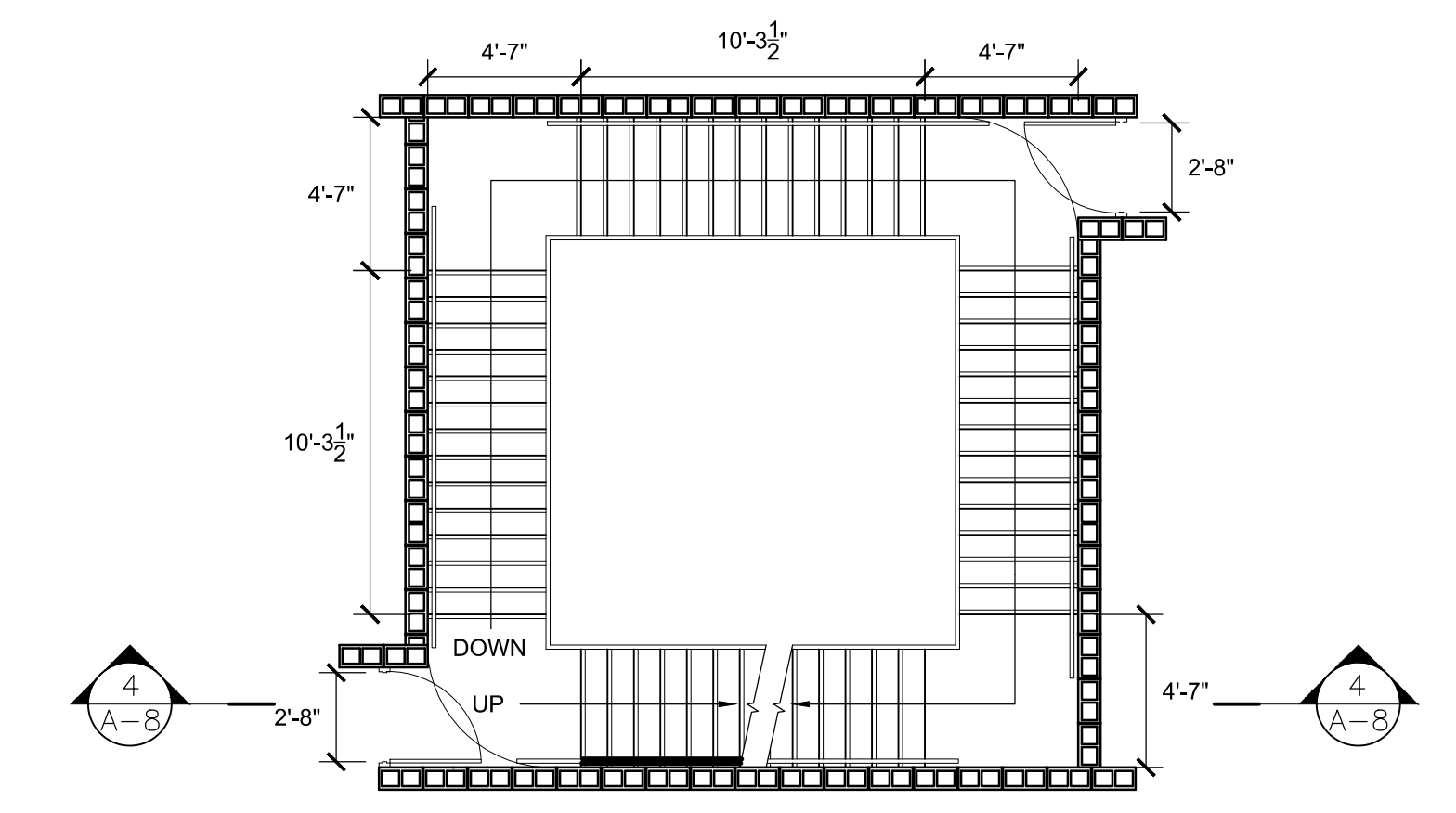
4
A-8 **16' L SHAPE STAIR SECTION**
DRAWING SCALE (3/16"=1'-0")



3
A-8 **16' STRAIGHT STAIR PLAN**
DRAWING SCALE (3/16"=1'-0")



2
A-8 **16' U SHAPE STAIR PLAN**
DRAWING SCALE (3/16"=1'-0")



1
A-8 **16' L SHAPE STAIR PLAN**
DRAWING SCALE (3/16"=1'-0")

PROJECT: ARCH 2330 CITYTECH / PAUL KING / 2014 FALL	
DWG TITLE: ASSIGNMENT 6 STAIRS	
SEAL & SIGNATURE	DATE: 2014 29 17
	PROJECT NO: 2330_3
	DRAWING BY: JAMES RIGLEY
	CHK BY: PK
	DWG NO: A-8
	CADD FILE NO: PAGE:
SCALE: 3/16" = 1'	arch2330_KING_2014_fall_RIGLEY_JAMES_assignment A 2 8 of 8