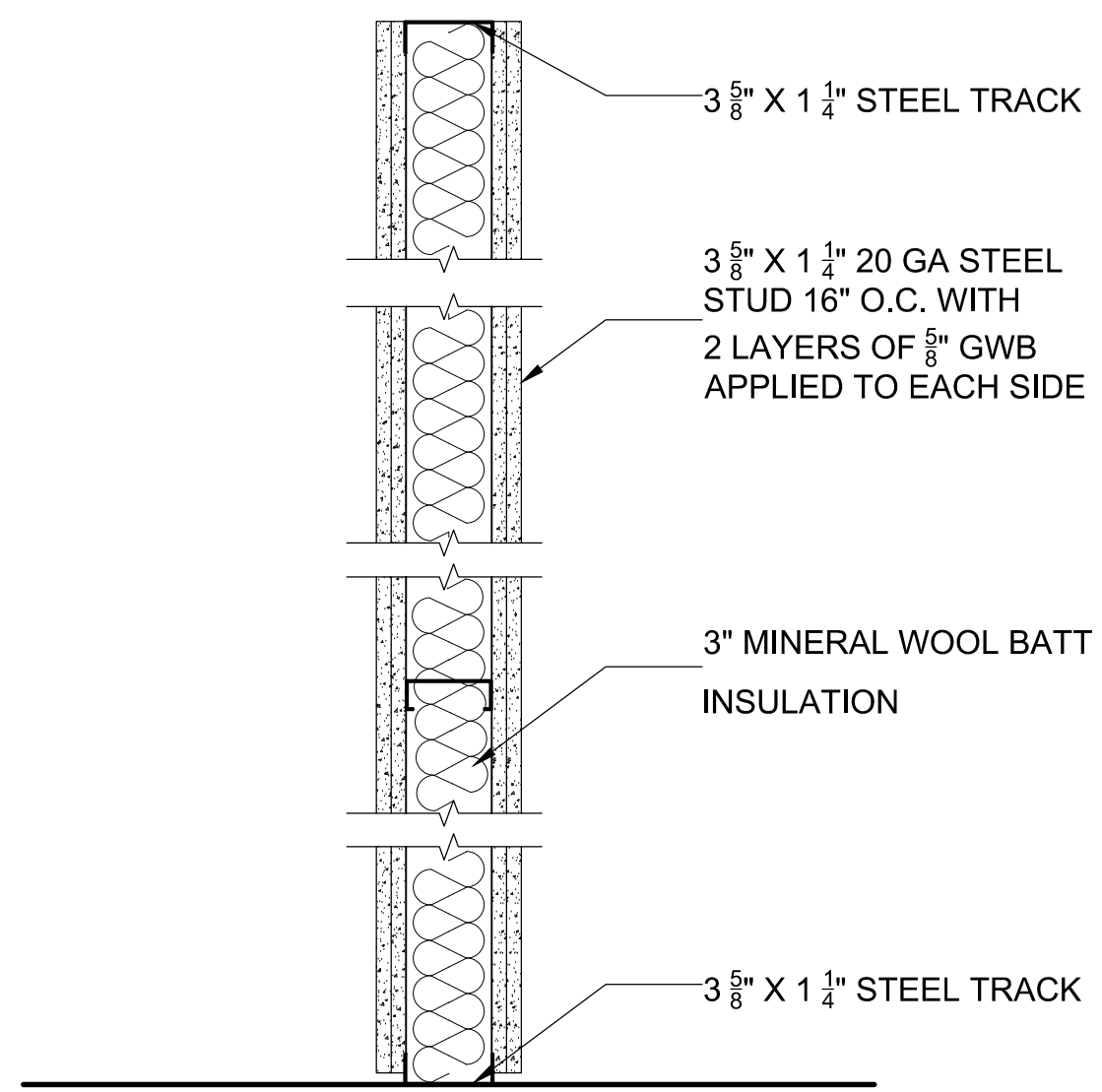


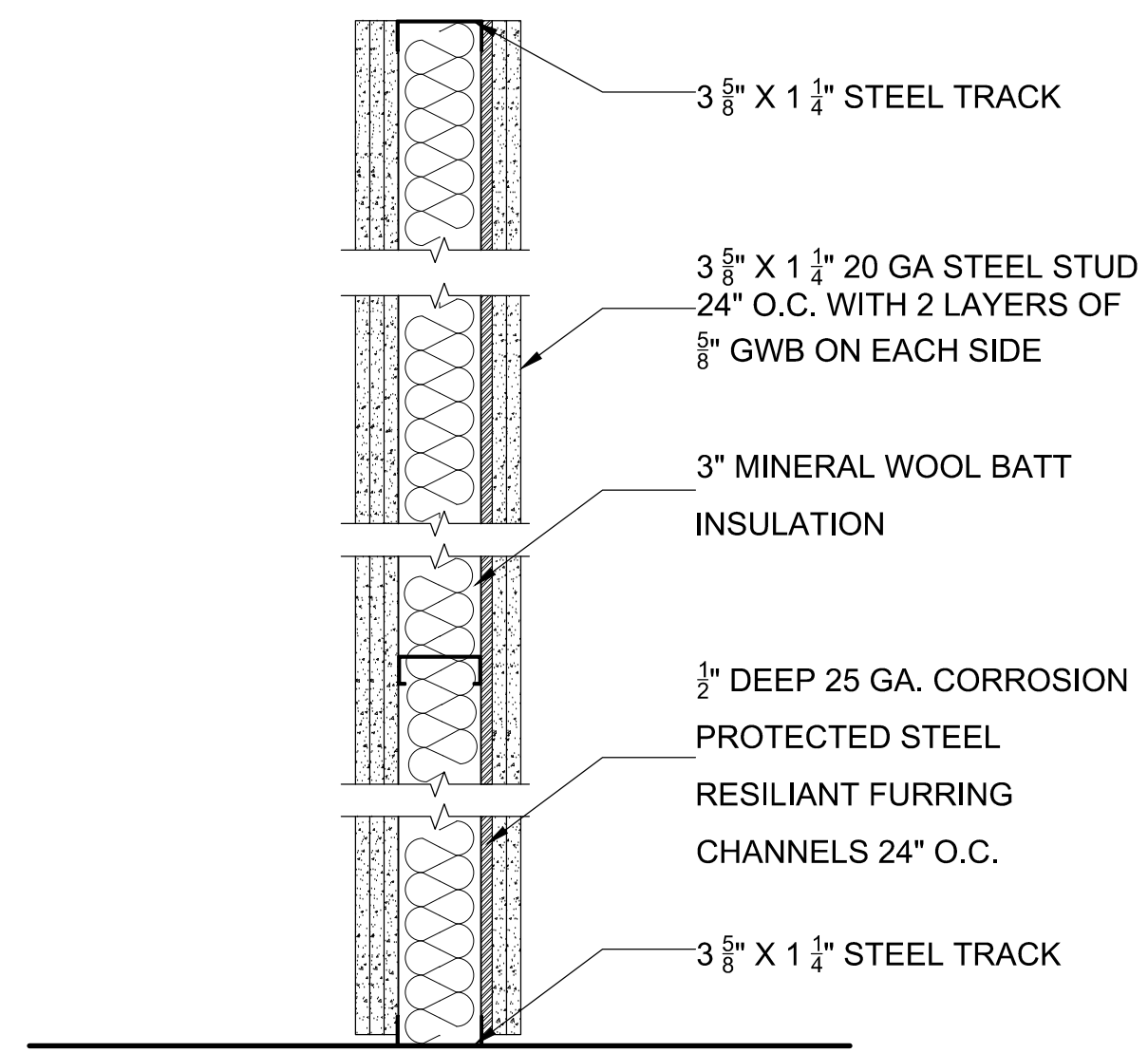
**9**  
1 HR WALL FOR 12', 14', 16'  
FLOOR TO FLOOR HEIGHTS

DRAWING SCALE (1 1/2"=1'-0")



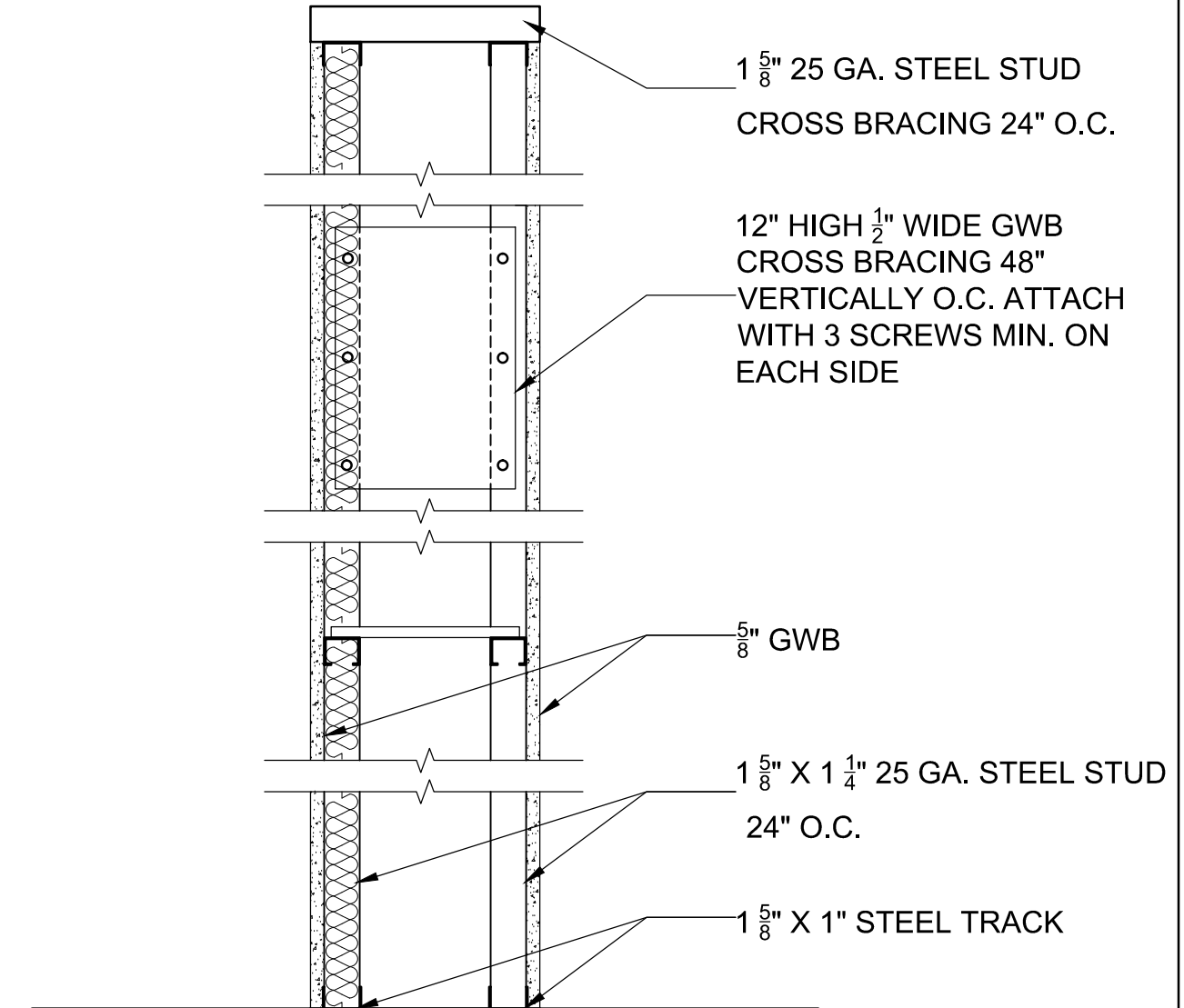
**8**  
2 HR WALL FOR 12', 14', 16'  
FLOOR TO FLOOR HEIGHTS

DRAWING SCALE (1 1/2"=1'-0")



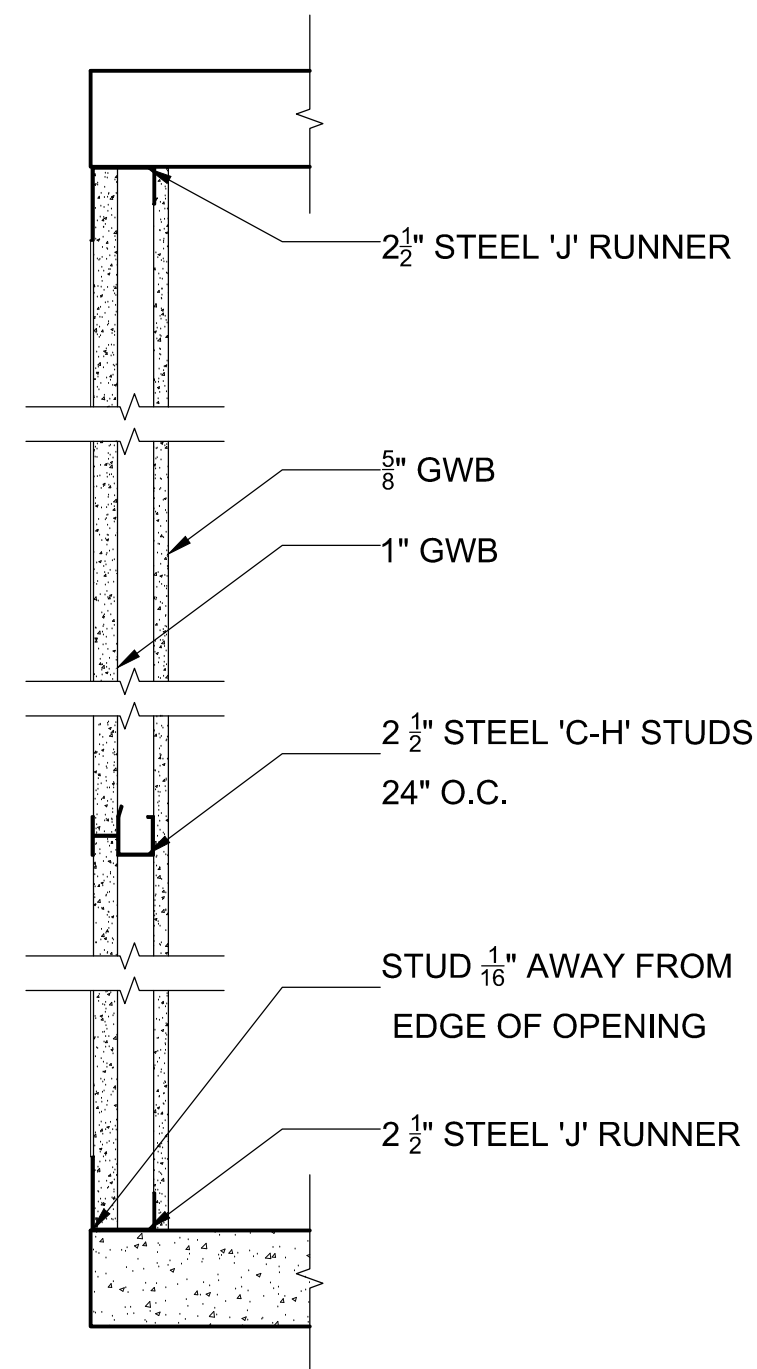
**7**  
3 HR WALL FOR 12', 14', 16'  
FLOOR TO FLOOR HEIGHTS

DRAWING SCALE (1 1/2"=1'-0")



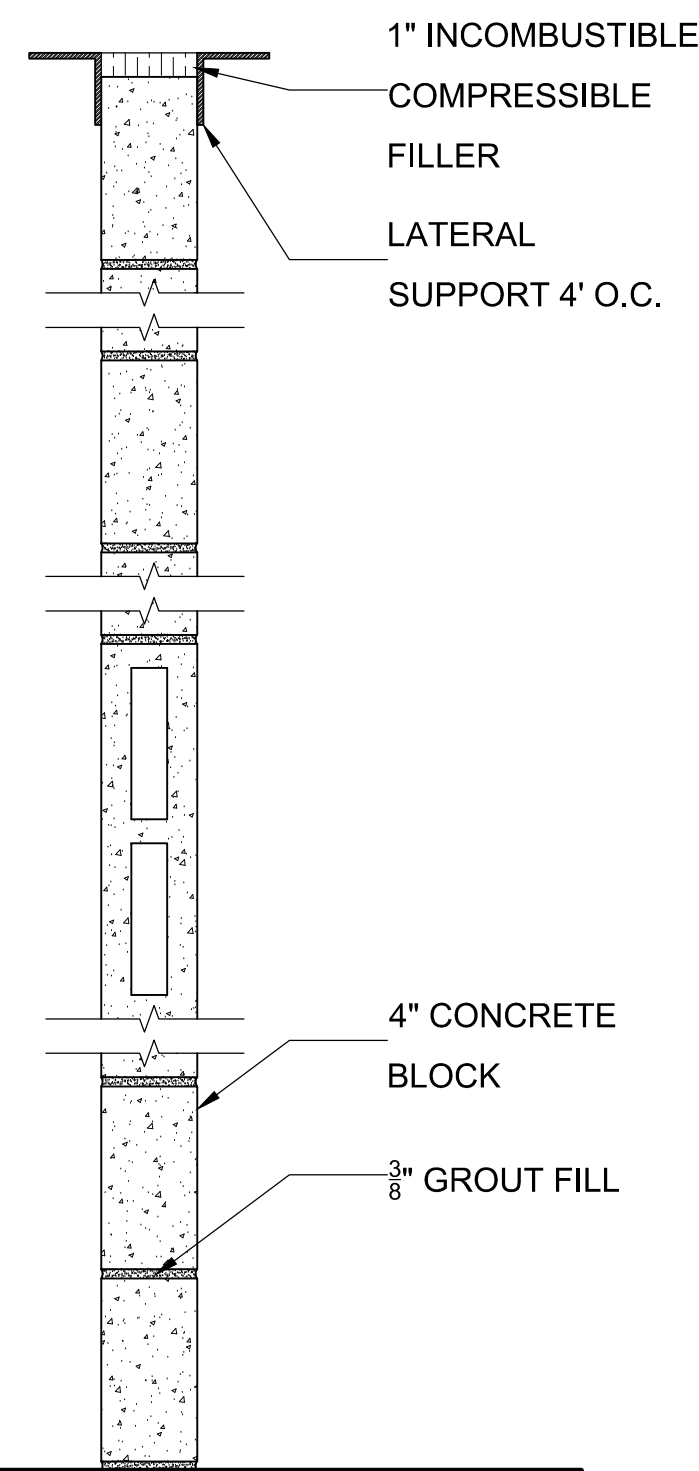
**6**  
CHASE WALL

DRAWING SCALE (1 1/2"=1'-0")



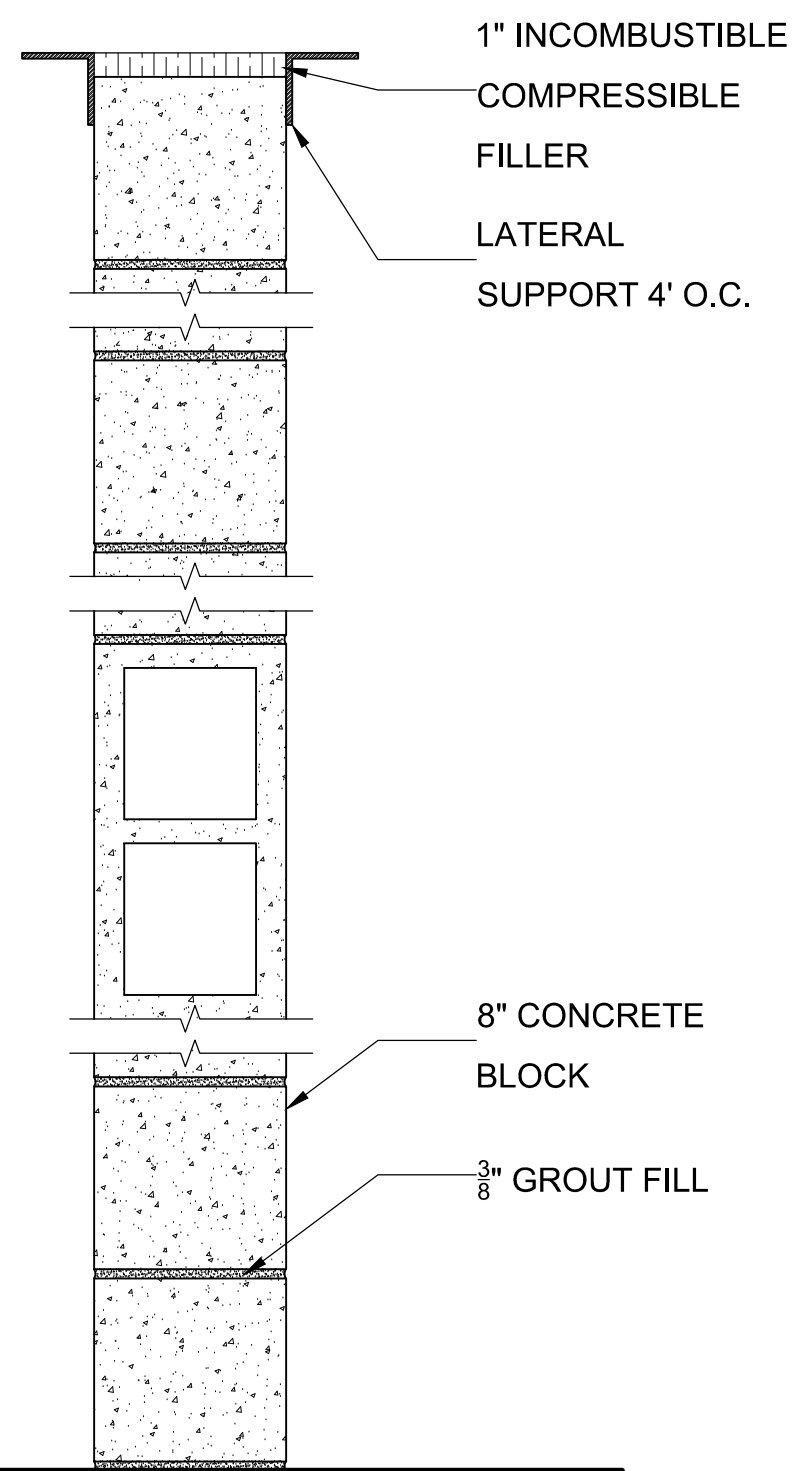
**5**  
SHAFT WALL

DRAWING SCALE (1 1/2"=1'-0")



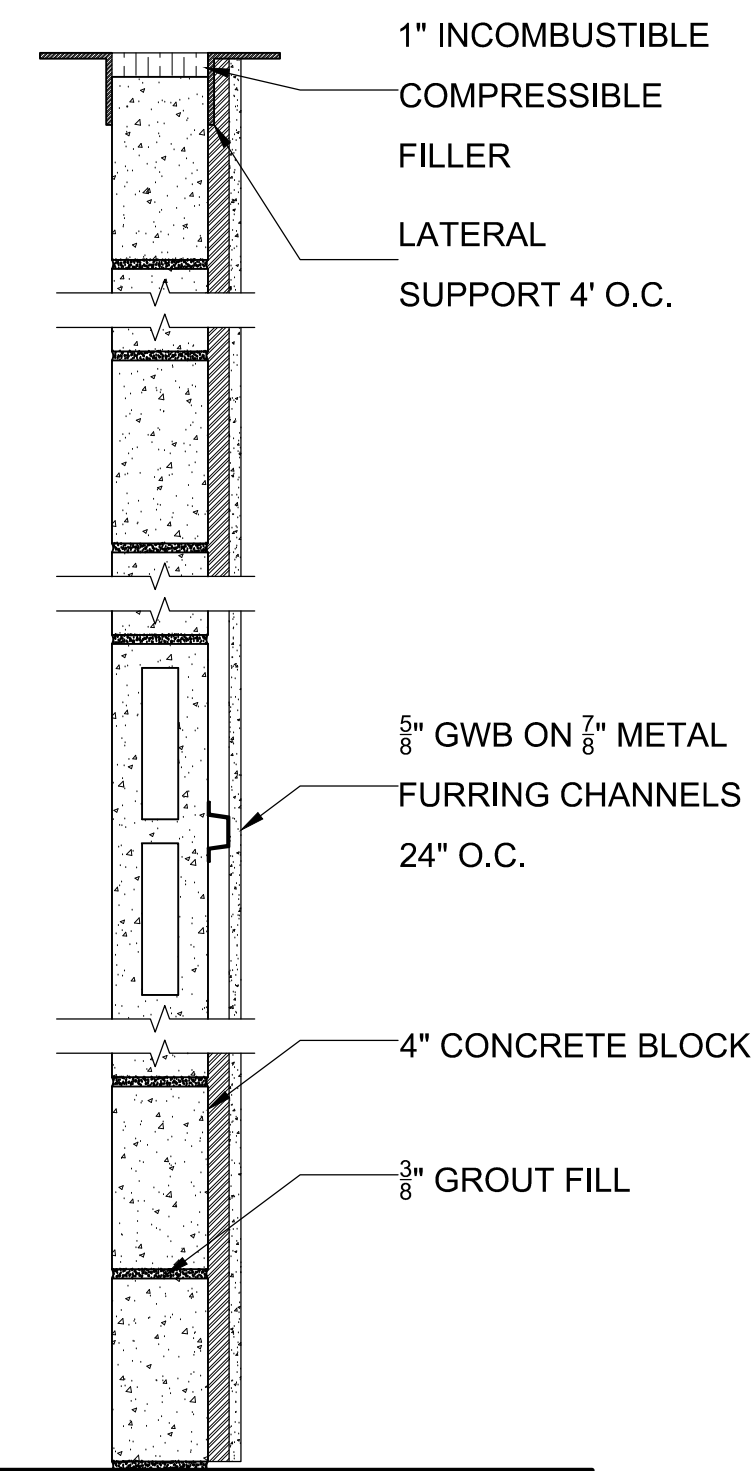
**4**  
4" BLOCK

DRAWING SCALE (1 1/2"=1'-0")



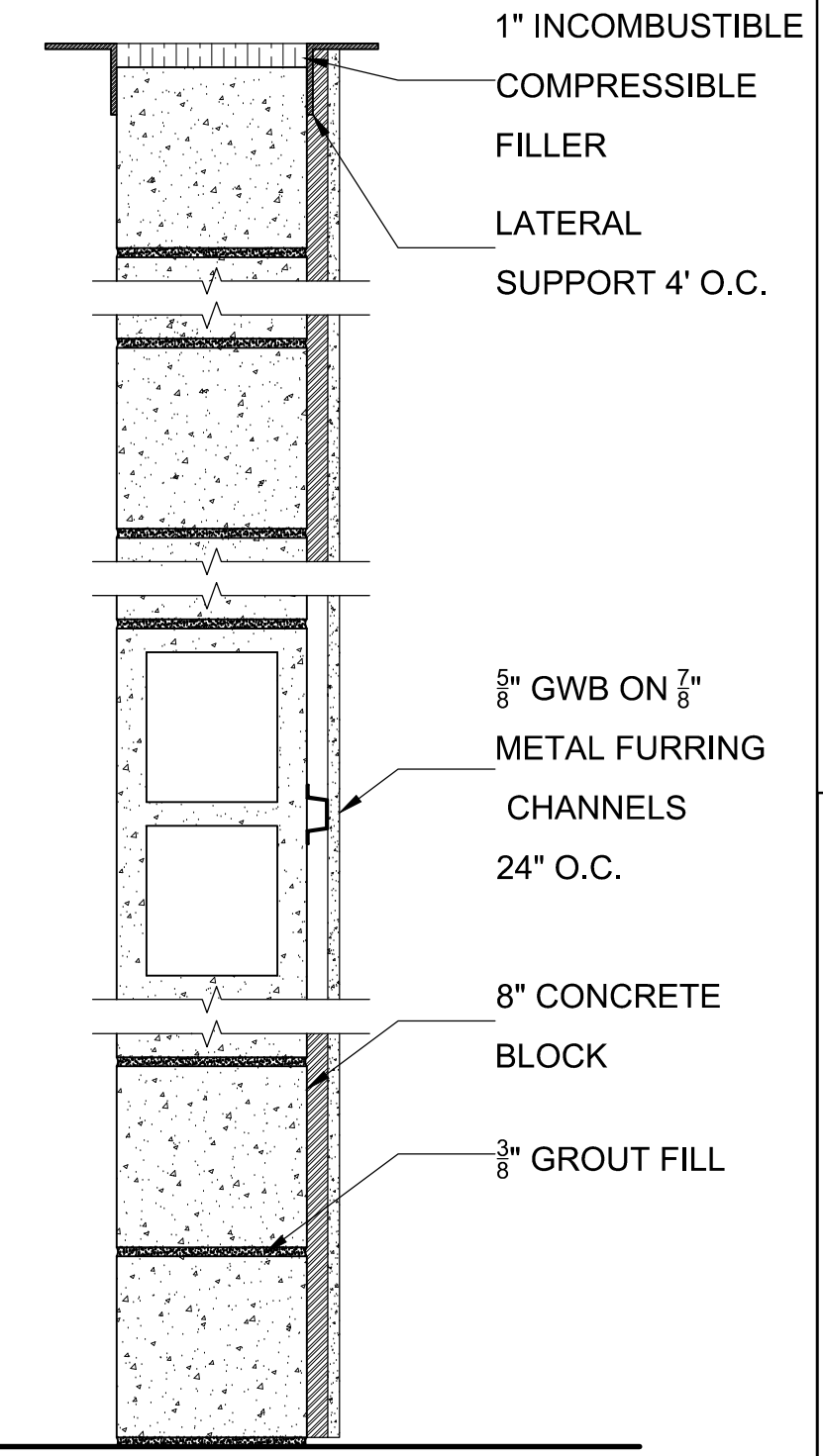
**3**  
8" BLOCK

DRAWING SCALE (1 1/2"=1'-0")



**2**  
4" BLOCK WITH GWB

DRAWING SCALE (1 1/2"=1'-0")



**1**  
8" BLOCK WITH GWB

DRAWING SCALE (1 1/2"=1'-0")

PROJECT:  
**ARCH 2330**  
CITYTECH / PAUL KING / 2014 FALL

DWG TITLE:  
**ASSIGNMENT 5**  
**PARTITIONS**

SEAL & SIGNATURE	DATE:	2014 09 17
	PROJECT NO.	2330_3
	DRAWING BY:	JAMES RIGLEY
	CHK BY:	PK
	DWG NO.:	A-5
CADD FILE NO.:	PAGE:	

SCALE: 1 1/2" = 1'