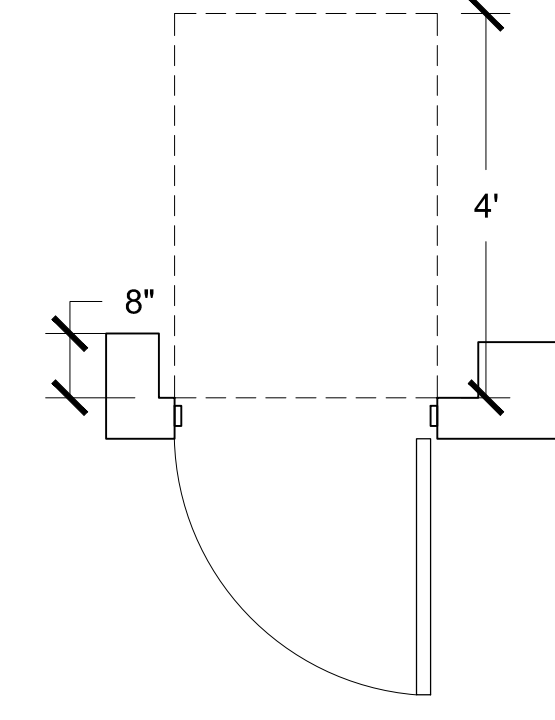
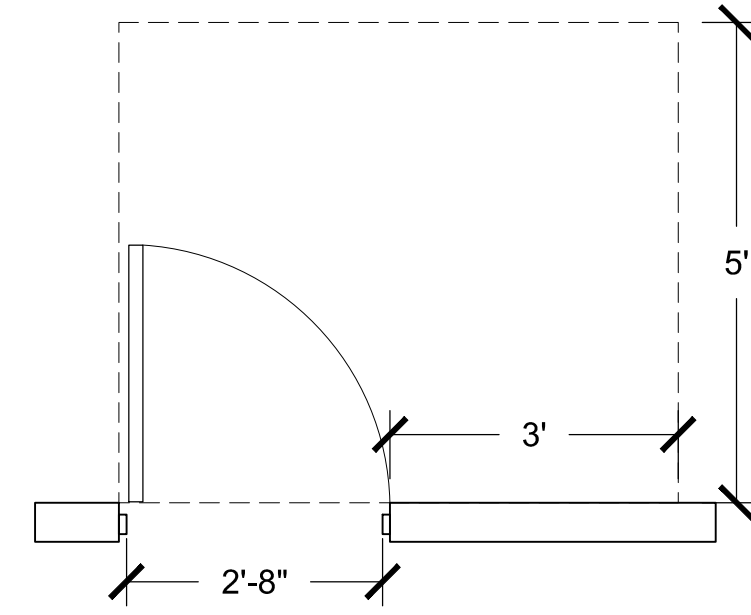


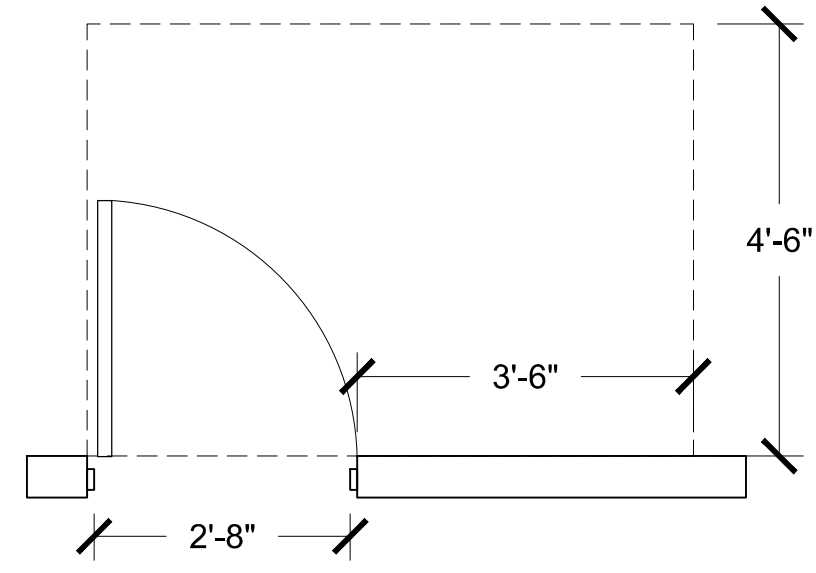
14 FRONT APPROACH, PUSH SIDE
A-3 DRAWING SCALE (1/2"=1'-0")



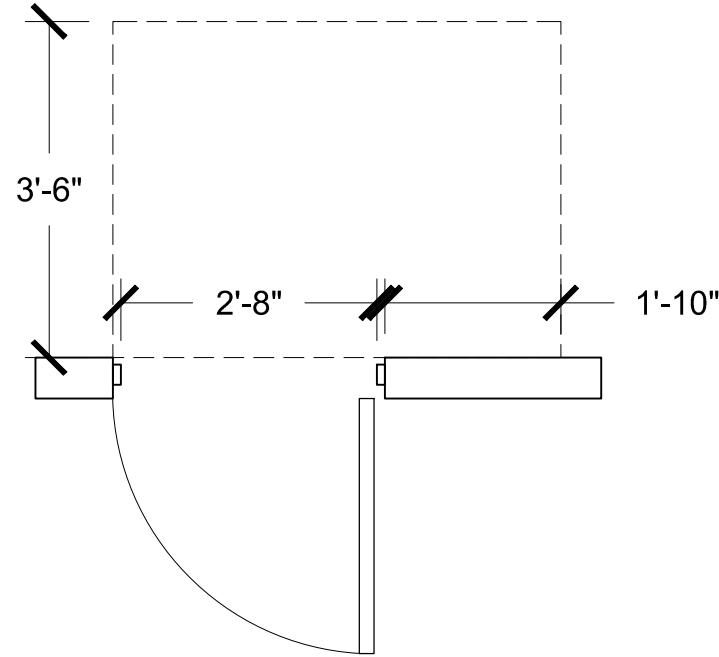
13 PUSH SIDE
A-3 DRAWING SCALE (1/2"=1'-0")



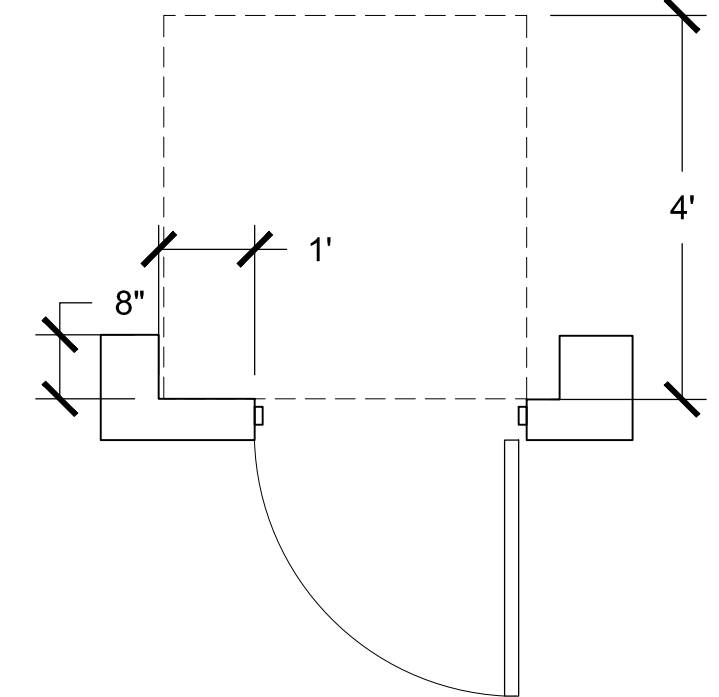
12 HINGE APPROACH, PULL SIDE
A-3 DRAWING SCALE (1/2"=1'-0")



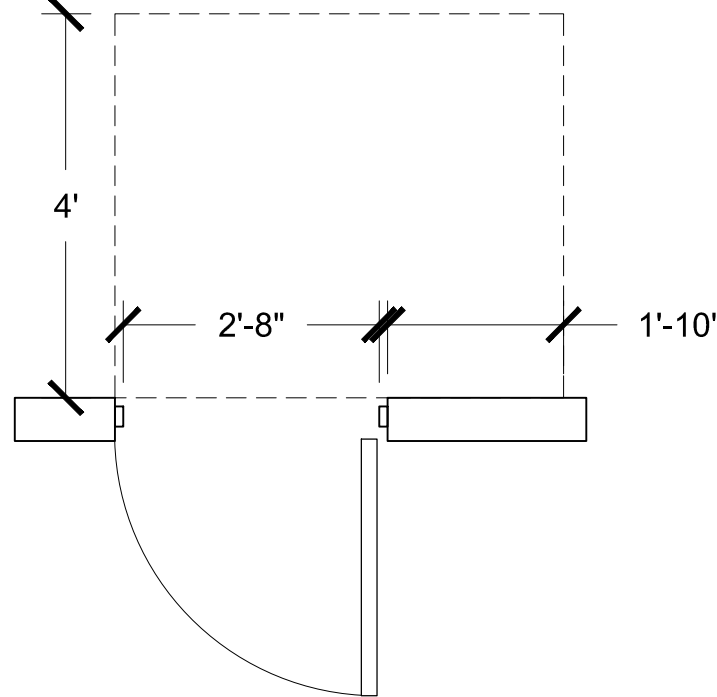
11 HINGE APPROACH, PULL SIDE
A-3 DRAWING SCALE (1/2"=1'-0")



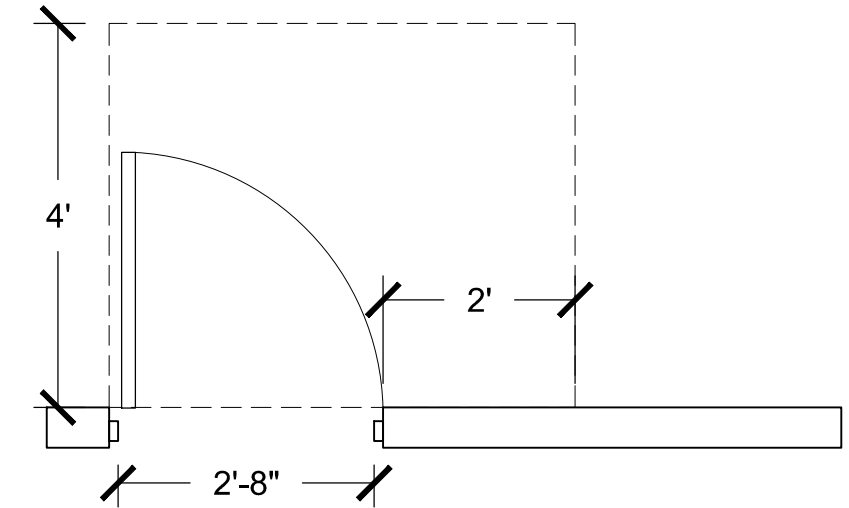
10 HINGE APPROACH, PUSH SIDE
A-3 DRAWING SCALE (1/2"=1'-0")



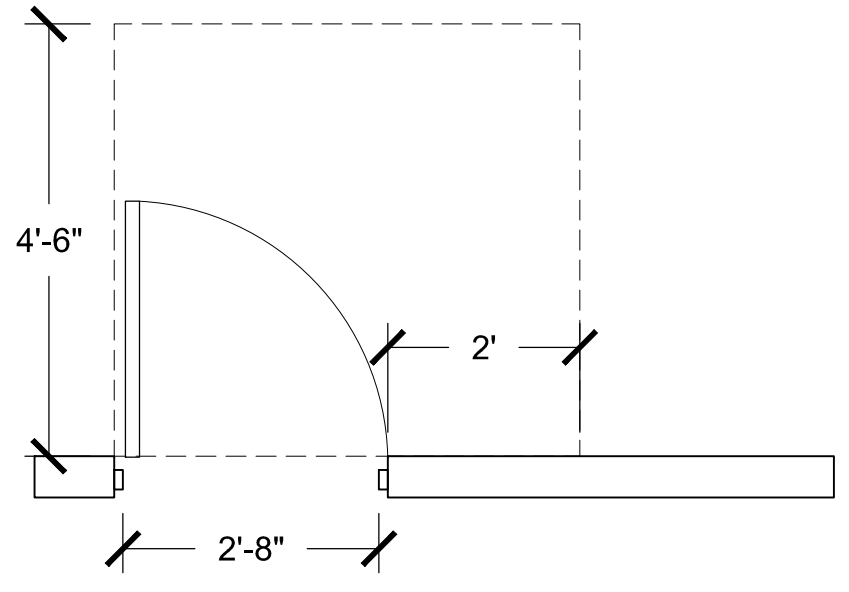
9 PUSH SIDE, DOOR WITH CLOSER AND LATCH
A-3 DRAWING SCALE (1/2"=1'-0")



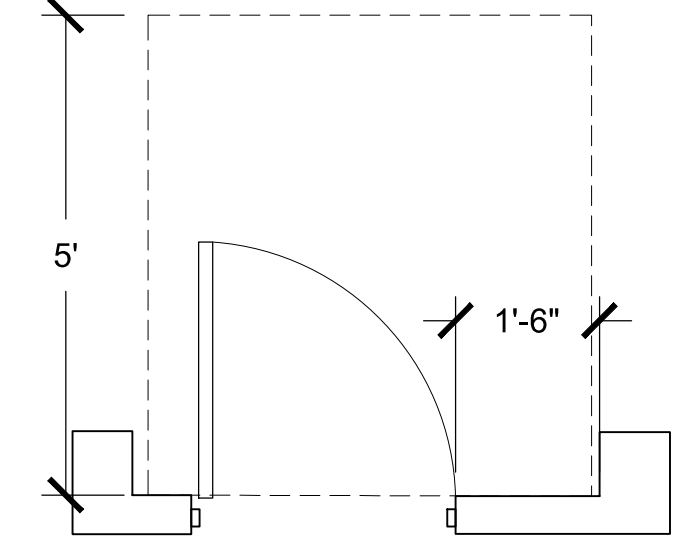
8 HINGE APPROACH, PUSH SIDE, DOOR WITH BOTH CLOSER AND LATCH
A-3 DRAWING SCALE (1/2"=1'-0")



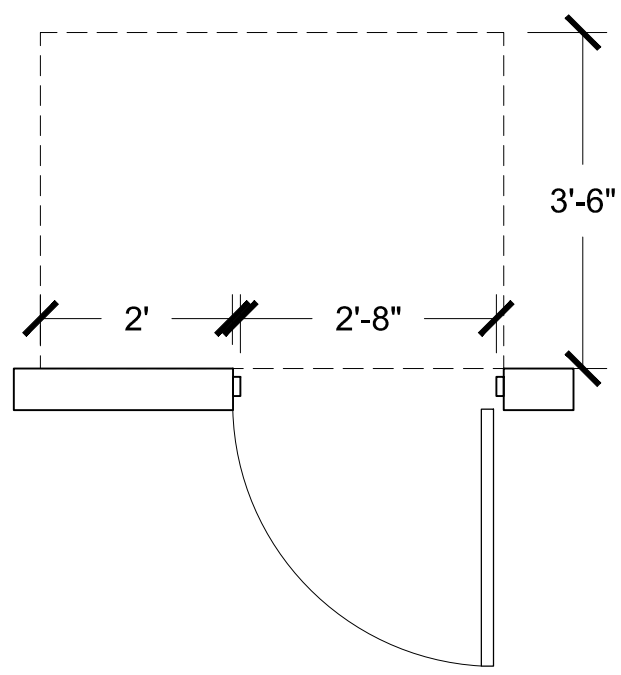
7 LATCH APPROACH, PULL SIDE
A-3 DRAWING SCALE (1/2"=1'-0")



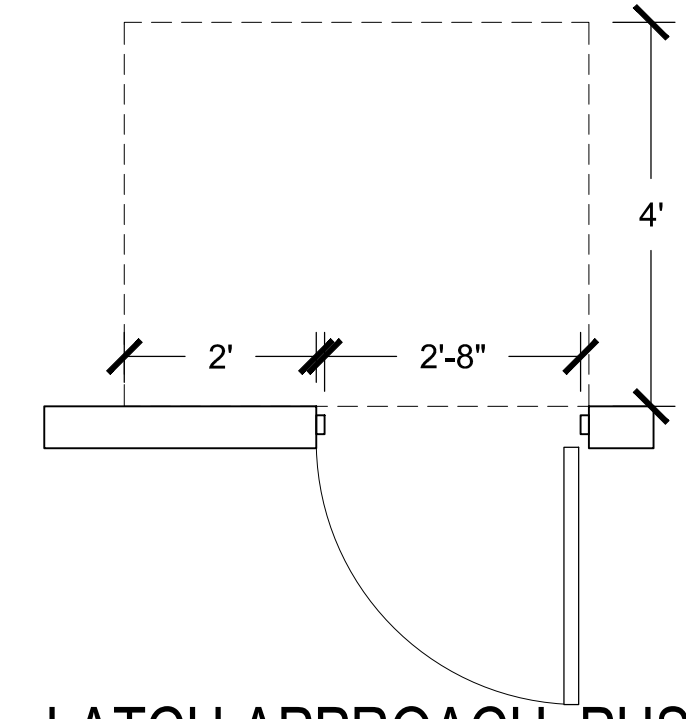
6 LATCH APPROACH, PULL SIDE, DOOR WITH CLOSER
A-3 DRAWING SCALE (1/2"=1'-0")



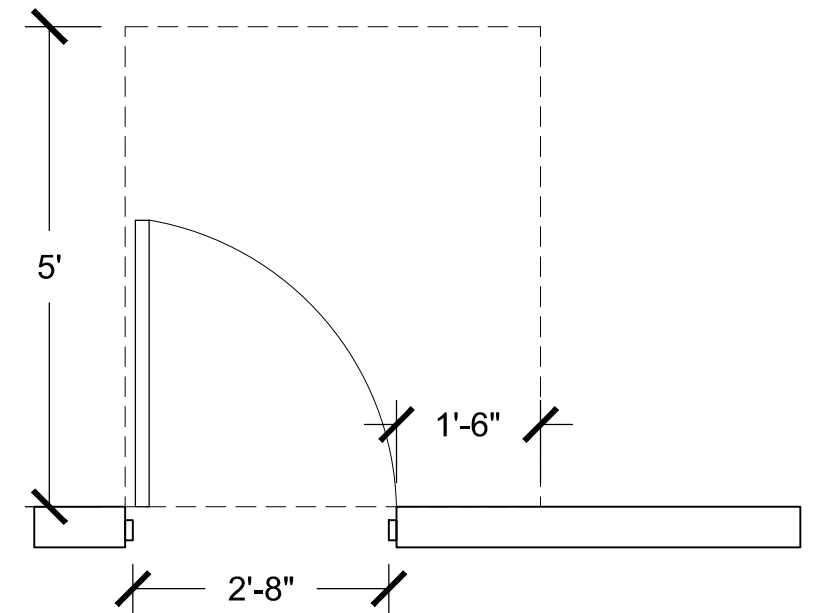
5 PULL SIDE
A-3 DRAWING SCALE (1/2"=1'-0")



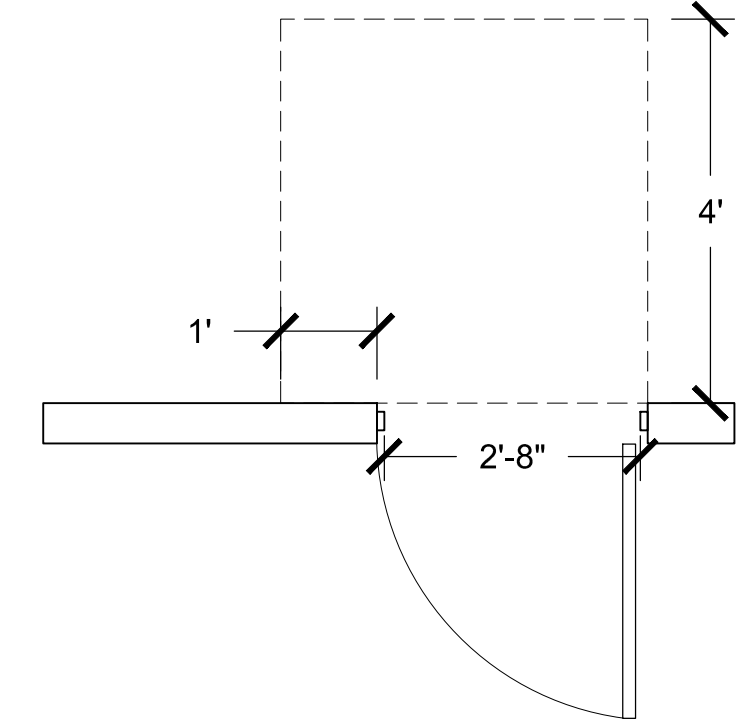
4 LATCH APPROACH, PUSH SIDE
A-3 DRAWING SCALE (1/2"=1'-0")



3 LATCH APPROACH, PUSH SIDE, DOOR WITH CLOSER
A-3 DRAWING SCALE (1/2"=1'-0")



2 FRONT APPROACH, PULL SIDE
A-3 DRAWING SCALE (1/2"=1'-0")



1 FRONT APPROACH, PUSH SIDE, DOOR WITH BOTH CLOSER AND LATCH
A-3 DRAWING SCALE (1/2"=1'-0")

PROJECT:
ARCH 2330
CITYTECH / PAUL KING / 2014 FALL

DWG TITLE:
ASSIGNMENT 3
ADA

SEAL & SIGNATURE	DATE:	2014 09 15
	PROJECT NO.:	2330_3
	DRAWING BY:	JAMES RIGLEY
	CHK BY:	PK
	DWG NO.:	A-3

SCALE:	CADD FILE NO.:	PAGE:
	arch2330_KING_2014_fall_RIGLEY_JAMES_assign A 2	3 of 4