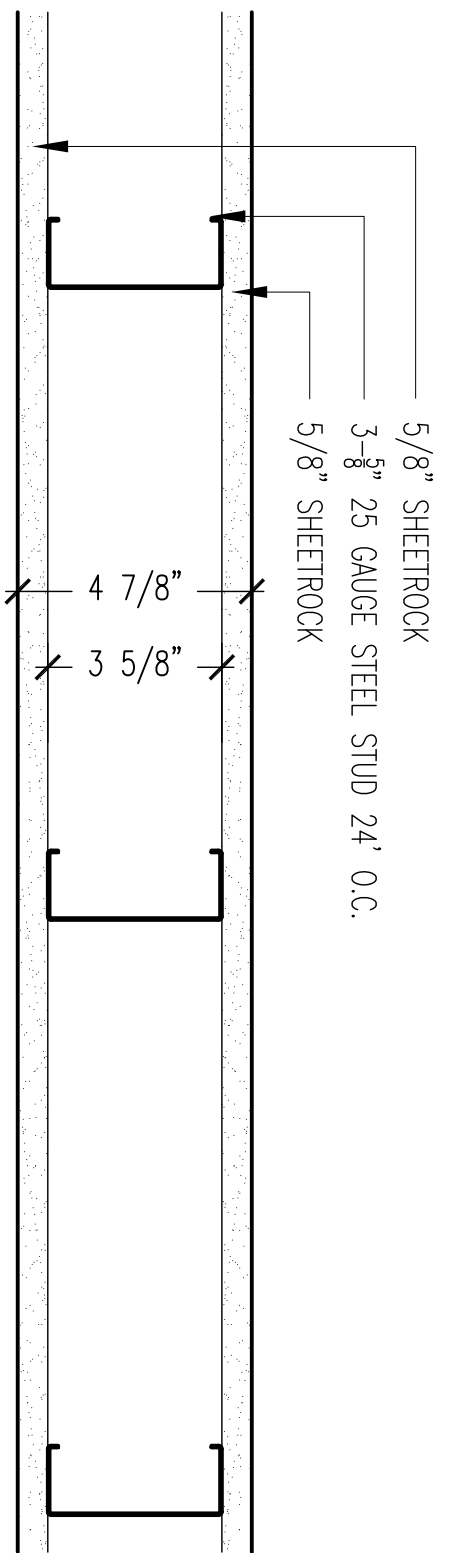
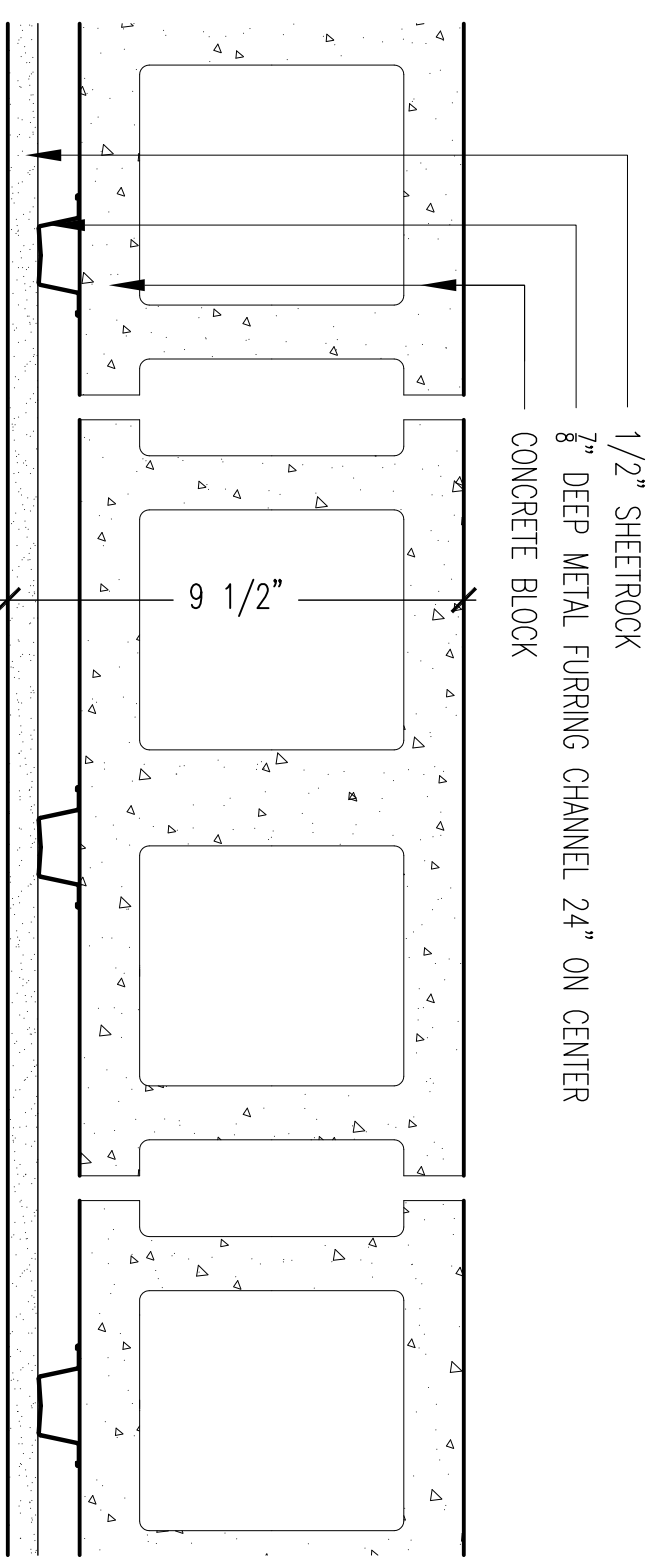


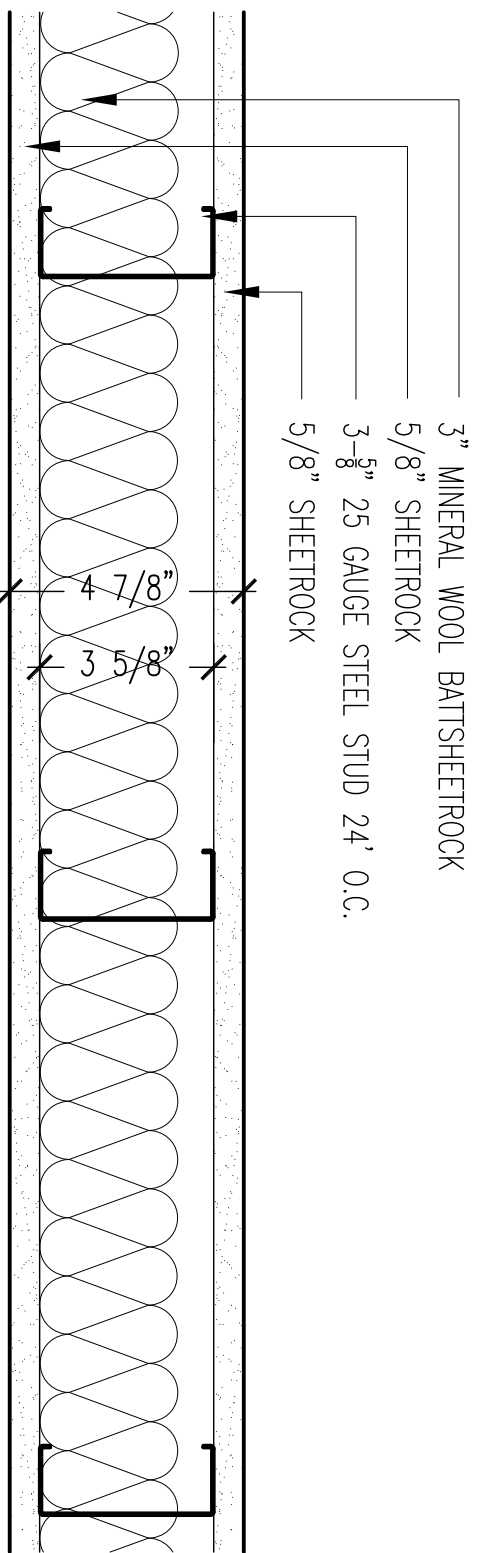
P3
FIRE RATING: 2HR
REMARK: STEEL STUD PARTITION



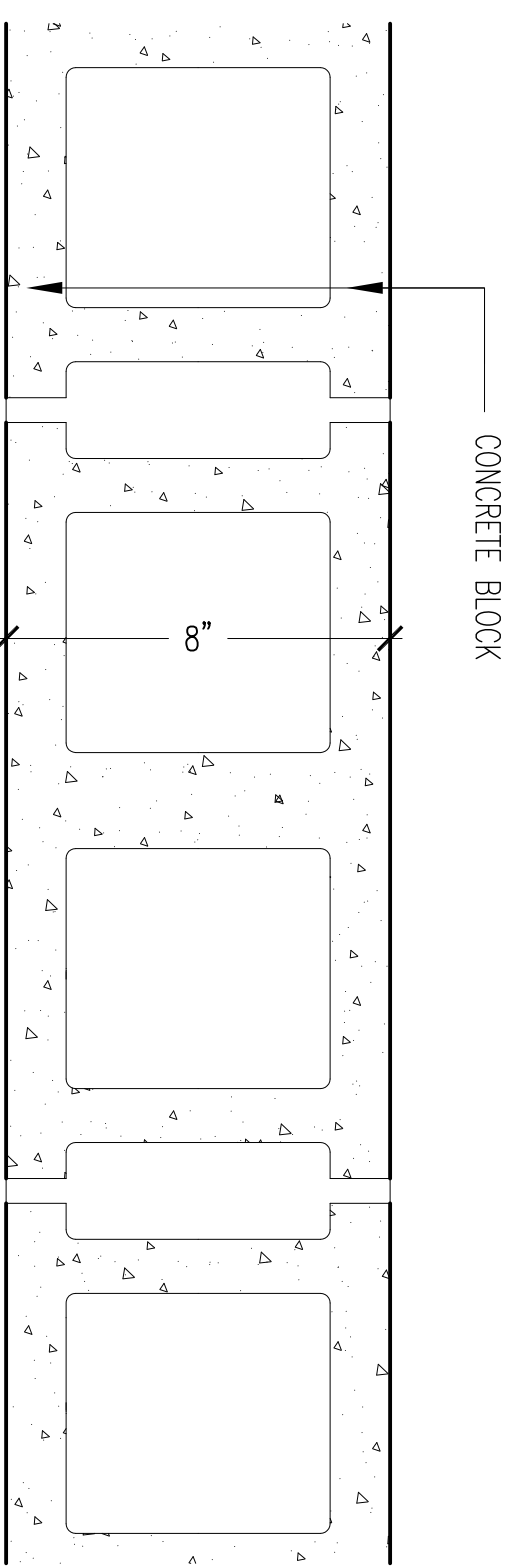
P4
FIRE RATING: 1HR
REMARK: STEEL STUD PARTITION



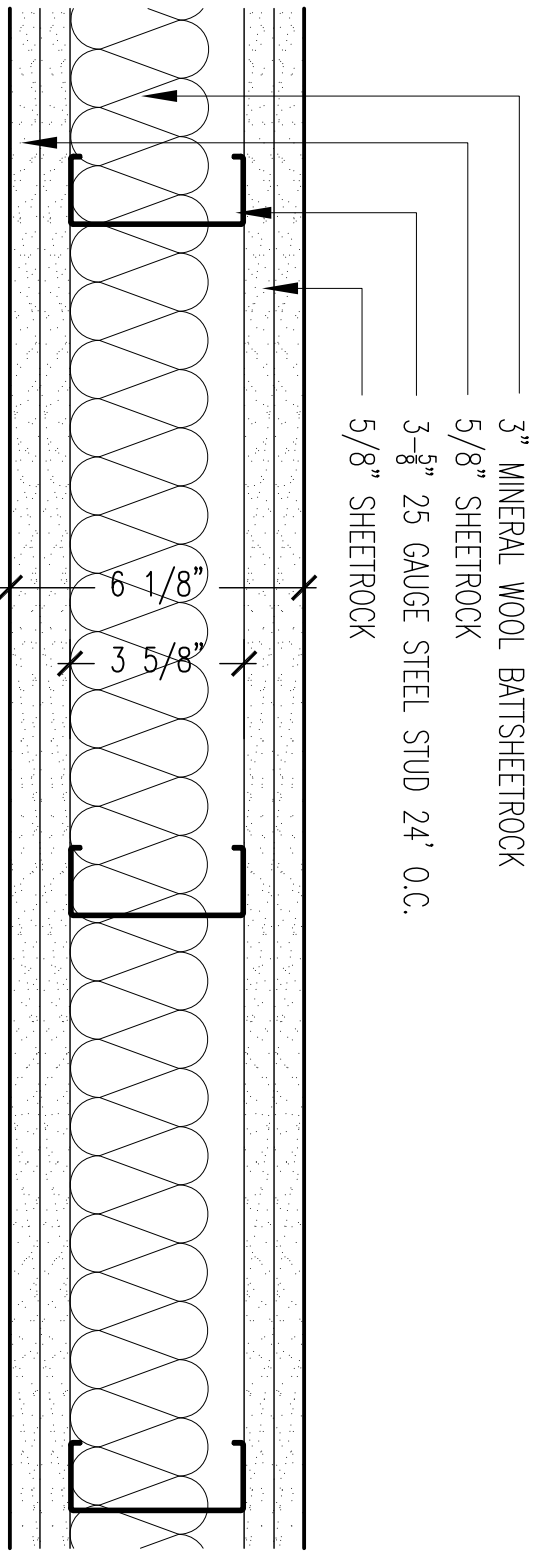
P2
FIRE RATING: 3HR
REMARK: FURRED MASONRY



P5
FIRE RATING: 1HR
REMARK: STEEL STUD PARTITION



P1
FIRE RATING: 3HR
REMARK: MASONRY

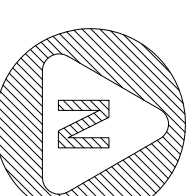


P6
FIRE RATING: 2HR
REMARK: STEEL STUD PARTITION



NYCCT
KILTCORD BLDG.

285 JAY ST.
BROOKLYN, NY, 11201
BLOCK: T31 LOT: 1
BIN: 3856757



No.	Description	Date

PARTITION TYPES

Project number: BUILDING TECH 3
Date: 02/20/14
Drawn by: MARYANNA BASYUL
Professor Name: PROF. KING
Checked by:

Scale: NOT TO SCALE

Grade