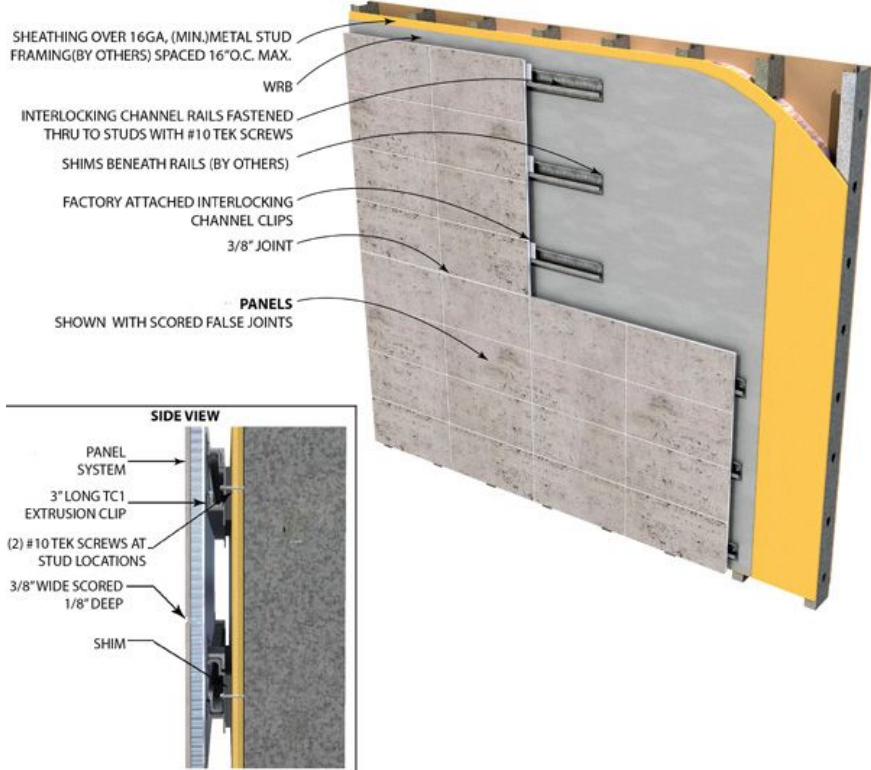


Stone Panel Assembly Research

Assembly system

<http://www.stonepanels.com/installation-instructions/>

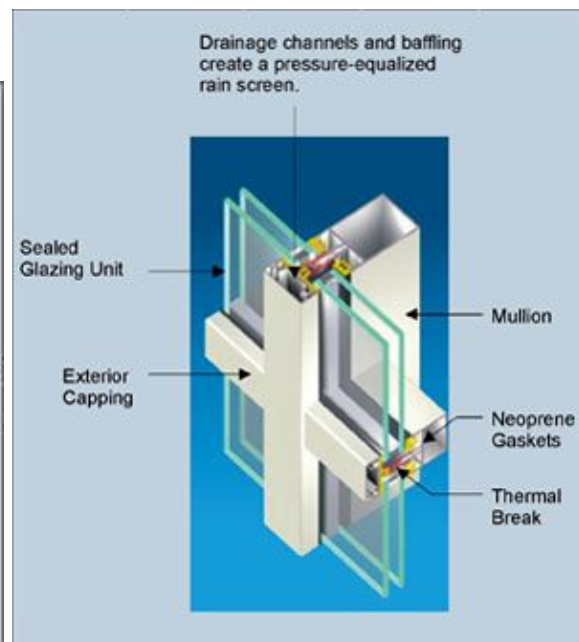
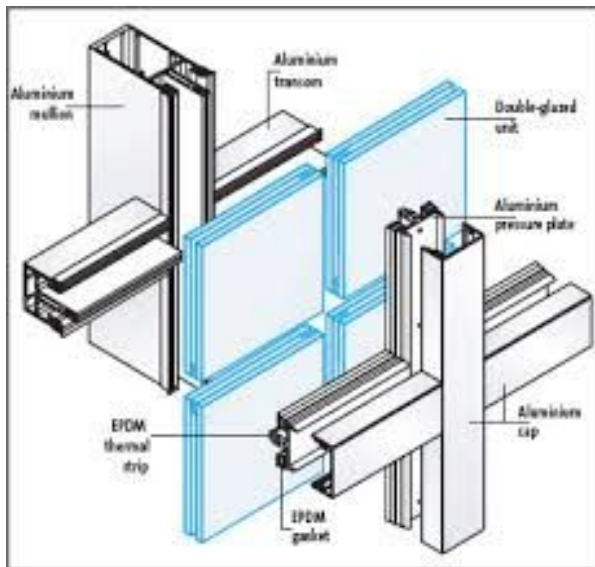
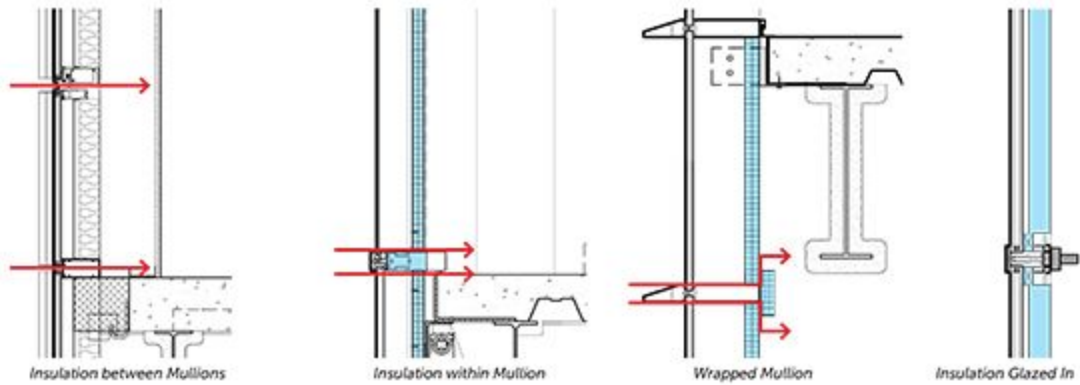


Interlocking Channel System



Our Interlocking Channel System is our most commonly used attachment system. It is extremely versatile, working well with a variety of back up systems on both exterior and interior applications. This very simple attachment system offers extremely fast construction speed greatly reducing field labor. For a full explanation of this system with

Curtain Wall Assembly



<http://www.payette.com/post/2365186-thermal-bridging-research-curtain-walls>

Stone Assembly Material
Limestone



Vision glass

https://www.alibaba.com/product-detail/hidden-frame-curtain-wall-one-way_1873009402.html

