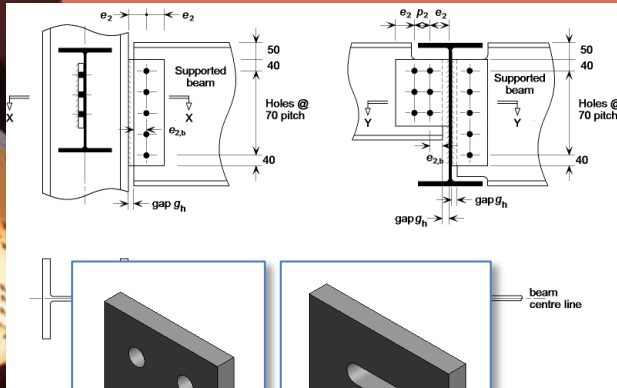


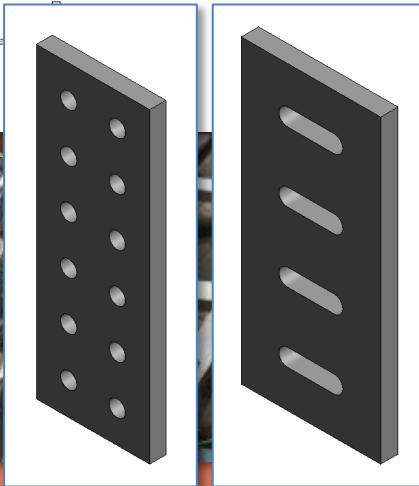


ARCH 2431 Building Technology III Steel Assembly & Building Information Modeling (BIM) with Revit

Steel Connections Series

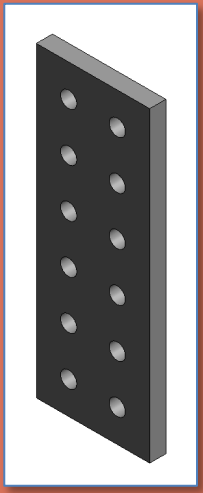
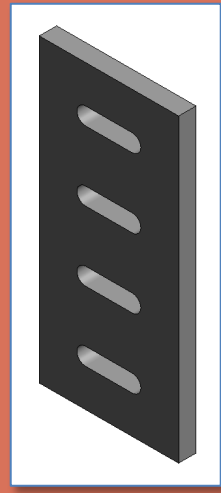
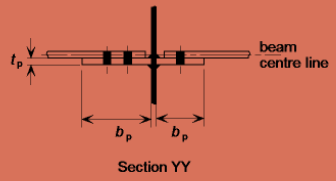
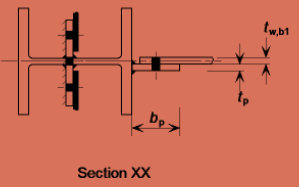
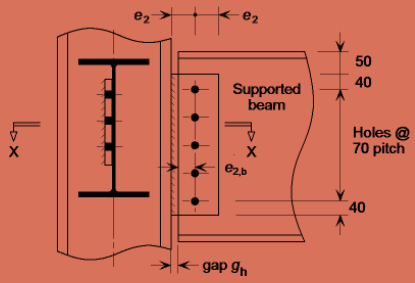
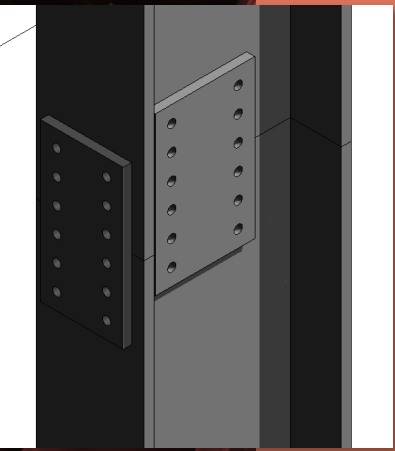


- #1 Introduction to Columns & Beams
- #2 Column Base Plates
- #3 Photos & Videos – Connections & Fasteners
- #4 Concrete footing to baseplate connection
- #5 Fin & Splice Plates – Notched Beams
- #6 Diagonal Bracing

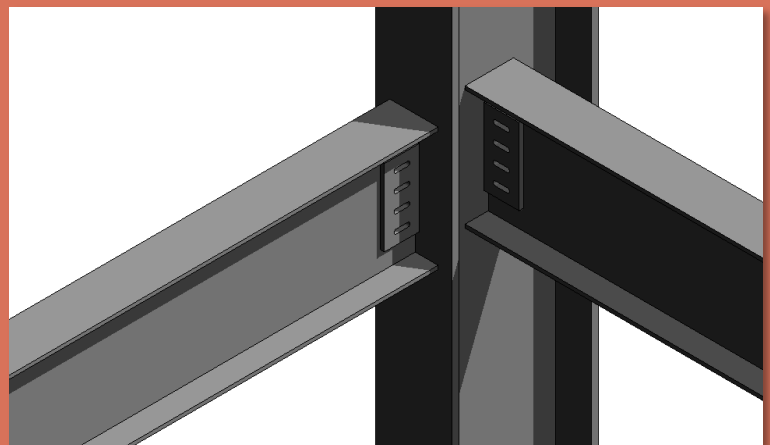
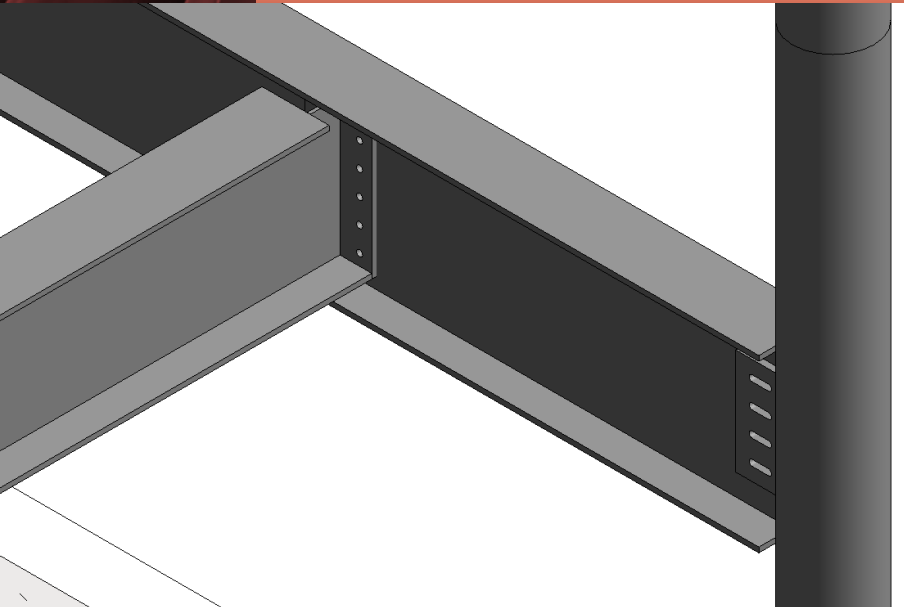


1.6

Steel Connections



Fin & Splice Plates Notched Beam Connections



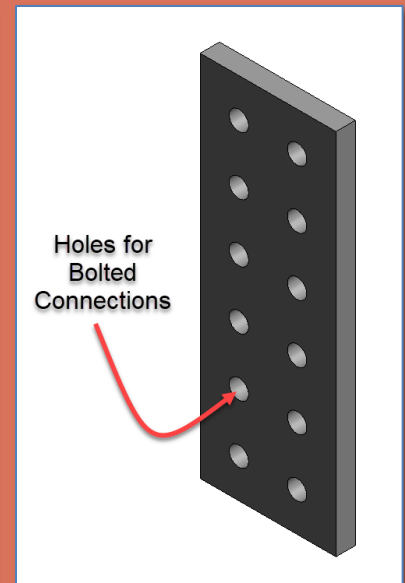
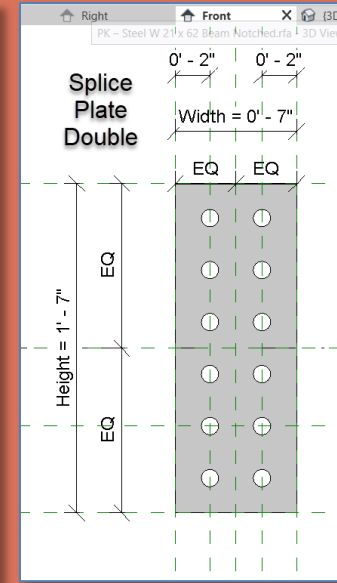
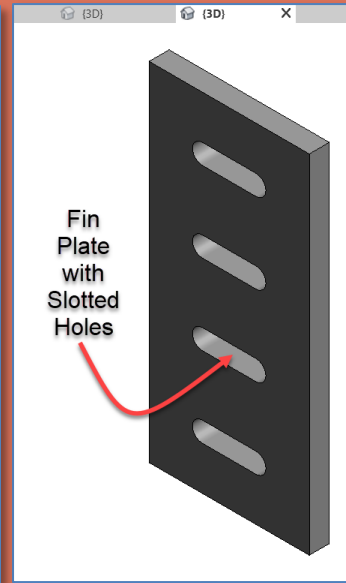
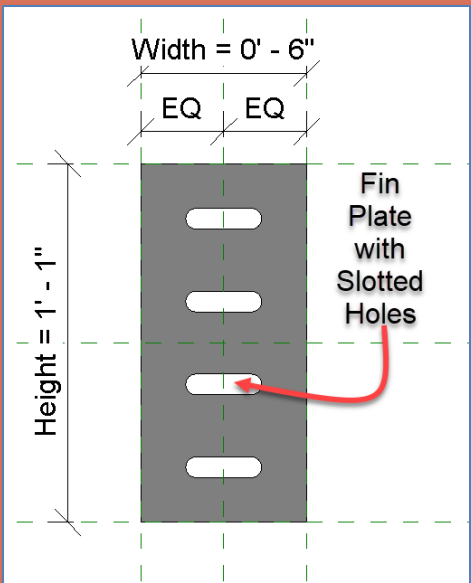
Fin Plates & Splice Plates for Column Connections

Fin Plate

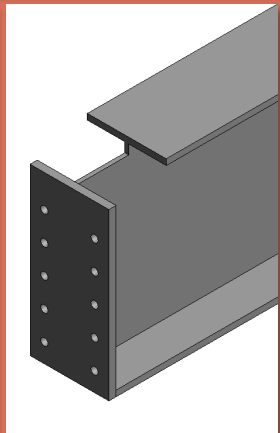
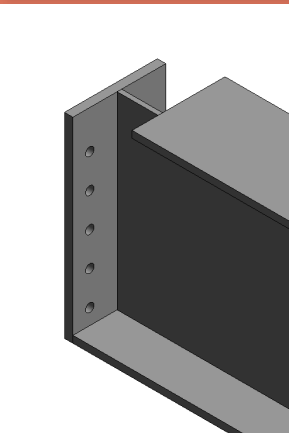
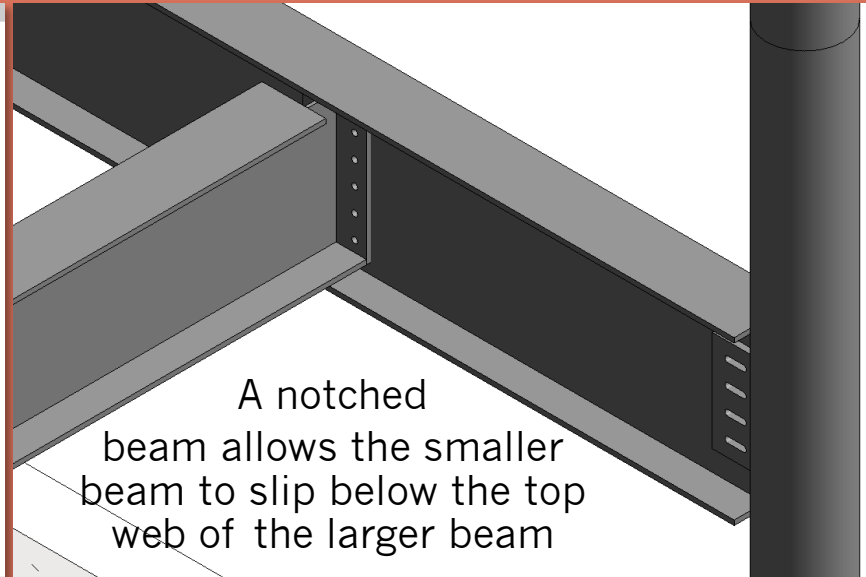
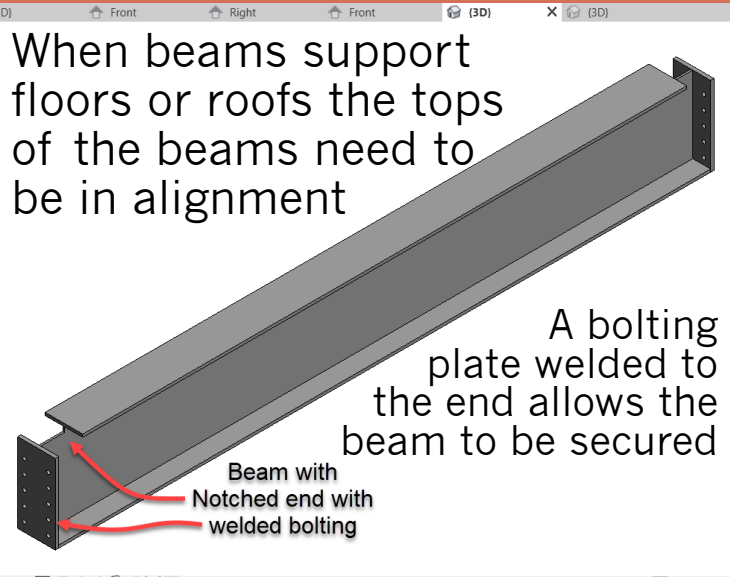
- Welded to columns or beams for connecting beams
- 3/8" Radius Slotted holes allow for horizontal adjustment

Splice Plates

- Used for vertical connections from column to column
- 3/8" Radius Holes allow for bolted connections



Notched Beam with Bolting Plate



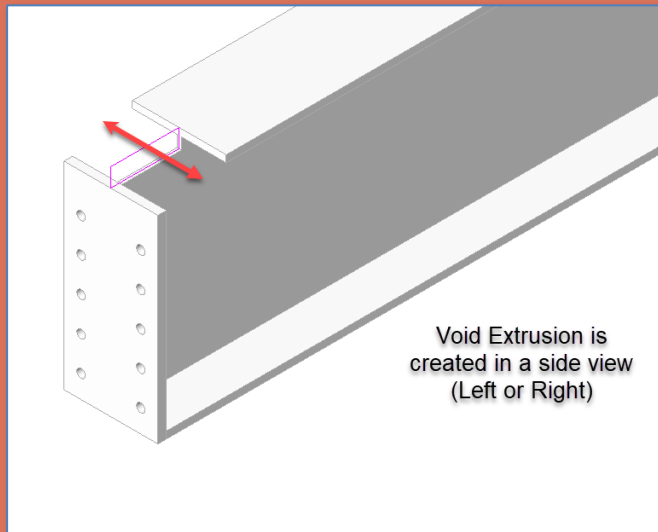
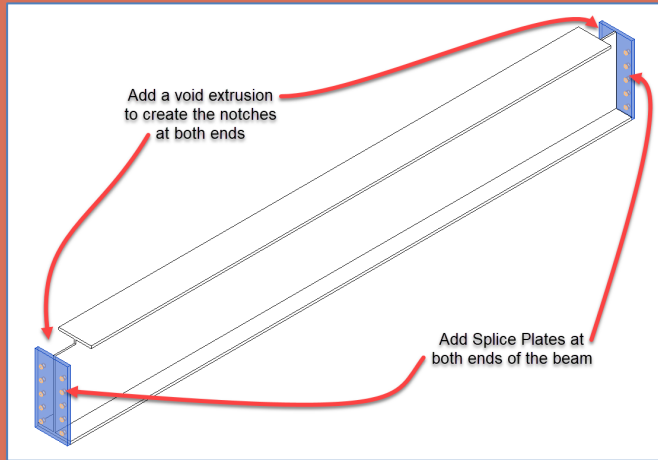
Use W 18 x 119 Notched Beam with Bolting plate

Designation Imperial (in x lb/ft)	Depth h (in)	Width w (in)	Web Thickness t_w (in)	Flange Thickness t_f (in)	Sectional Area (in ²)	Weight (lb/ft)	Static Parameters			
							Moment of Inertia I_x (in ⁴)	I_y (in ⁴)	Elastic Section Modulus S_x (in ³)	S_y (in ³)
W 27 x 178	27.8	14.09	0.725	1.190	52.3	178	6990	555	502	78.8
W 27 x 161	27.6	14.02	0.660	1.080	47.4	161	6280	497	455	70.9
W 18 x 119	19	11.27	0.655	1.060	35.1	119	2190	253	231	44.9
W 18 x 106	18.7	11.2	0.590	0.940	31.1	106	1910	220	204	39.4
W 18 x 97	18.6	11.15	0.535	0.870	28.5	97	1750	201	188	36.1

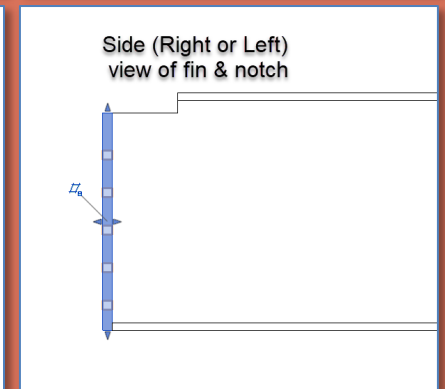
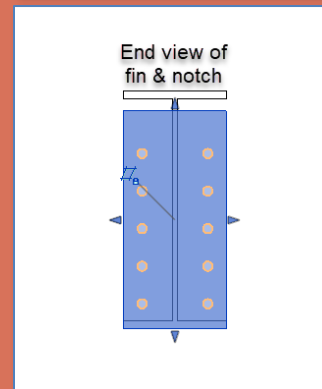
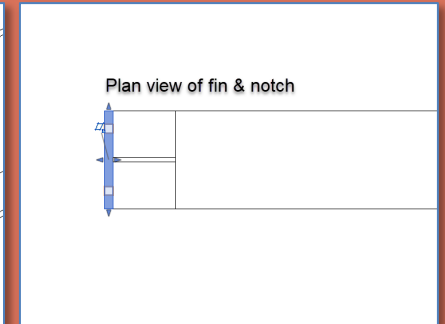
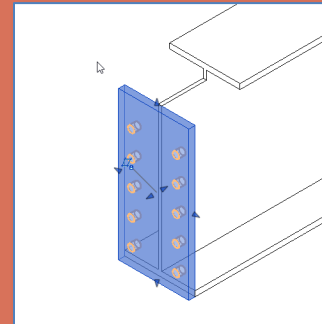
Depth = 19"
Web .655"

Width=11.27
Flange = 1.060"

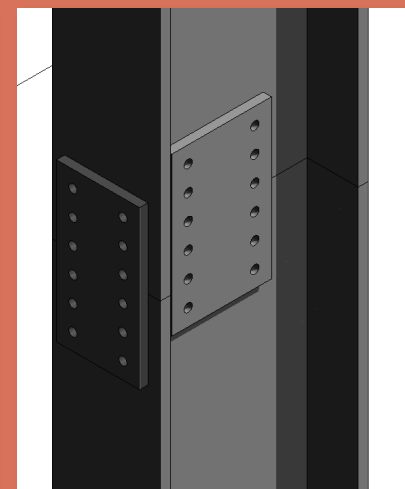
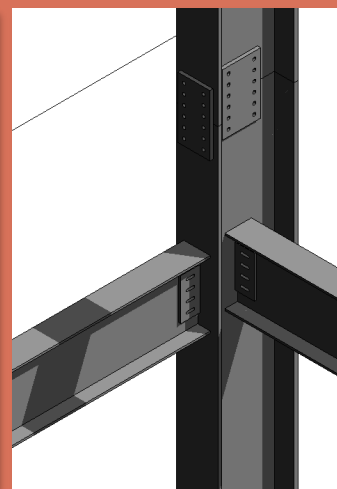
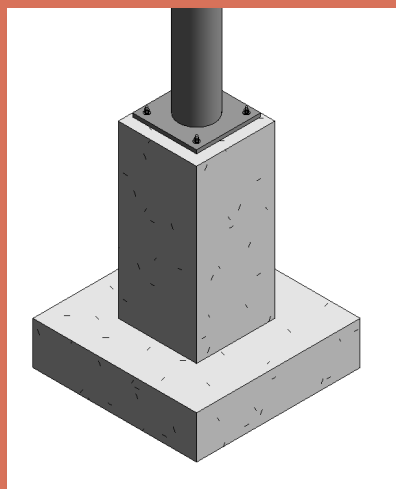
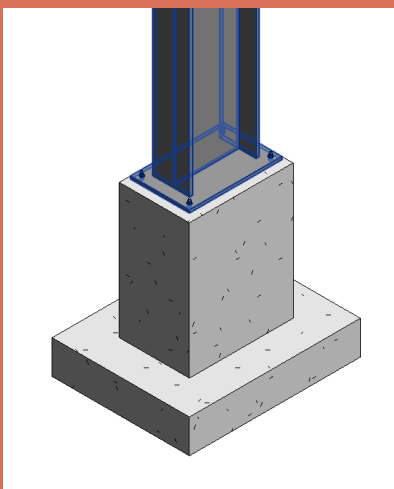
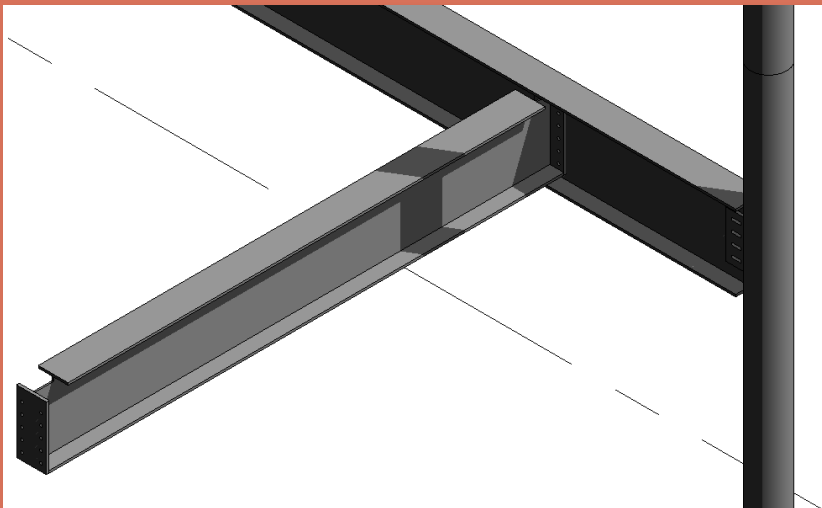
Notched Beam with Bolting Plate



- Make a copy of a Beam Family
- Load a splice plate to use on the end – *Align and lock in place*
- Create the Void Extrusion to create a notch – **Align and lock** the void to stay in place
- You can create parameters to control the length of the beam or the size of the notch



Isometric Views of the Project File



Steel
Connections

Fin & Splice

Plates –

Notched Beams

• Fin Plate

• Splice Plate

• Notched Beam

• Isometric
Views

• Sheet

Building
Technology III

CityTech.CUNY.edu



That's all Folks!