

# FLATS PROJECT

ENT 1110

FLATS PROJECT

DIRECTOR:

DESIGNER: RUDY GUERRERO

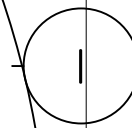
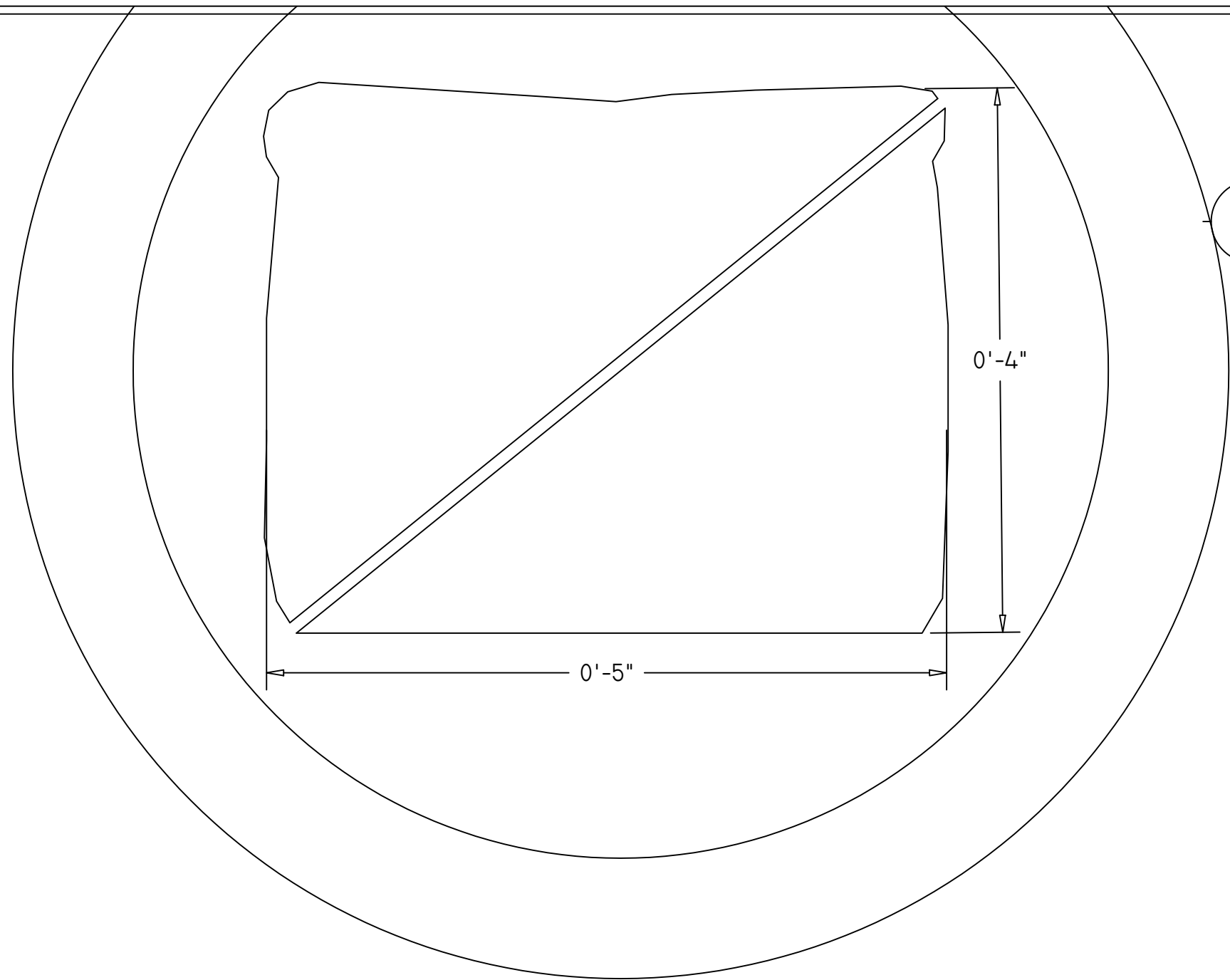
TECH DIRECTOR: R. GUERRERO

DWG BY: M. TORRES

DATE: 10/03/22 REV:

SCALE: AS NOTED

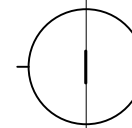
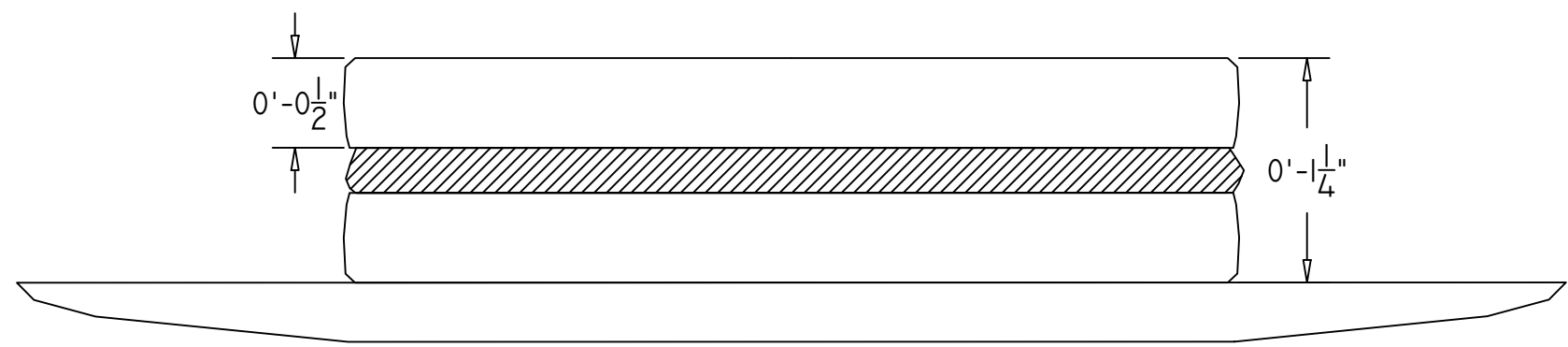
# FB1



PBJ PROJECT FRONT VIEW

1" = 1"

FOLLOW  
WRITTEN/VISUAL  
INSTRUCTIONS



PBJ PROJECT SIDE VIEW

1" = 1"

FOLLOW  
WRITTEN/VISUAL  
INSTRUCTIONS