

Building Technology I

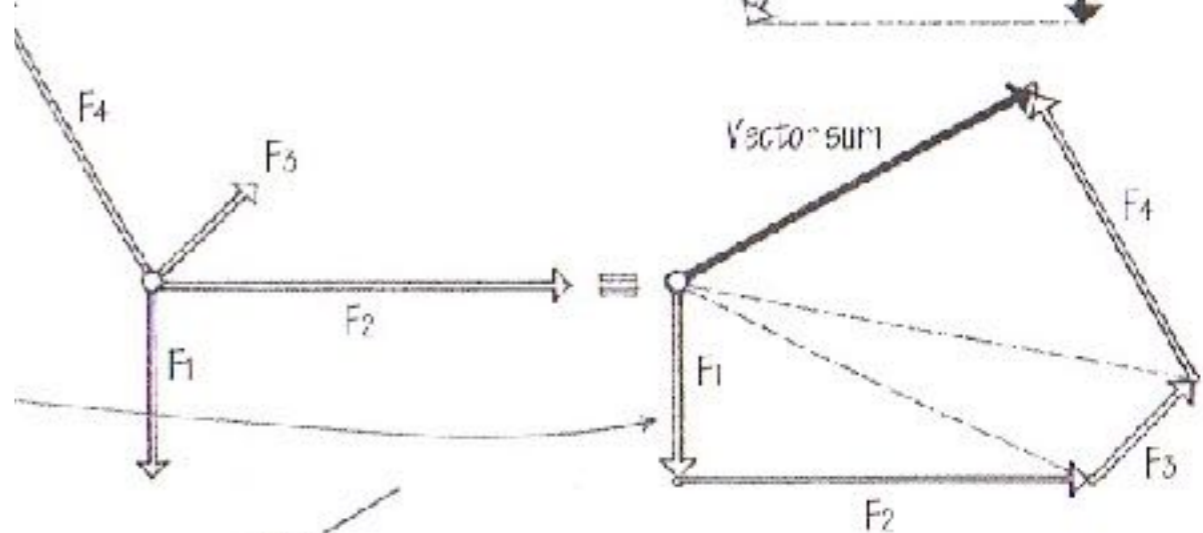
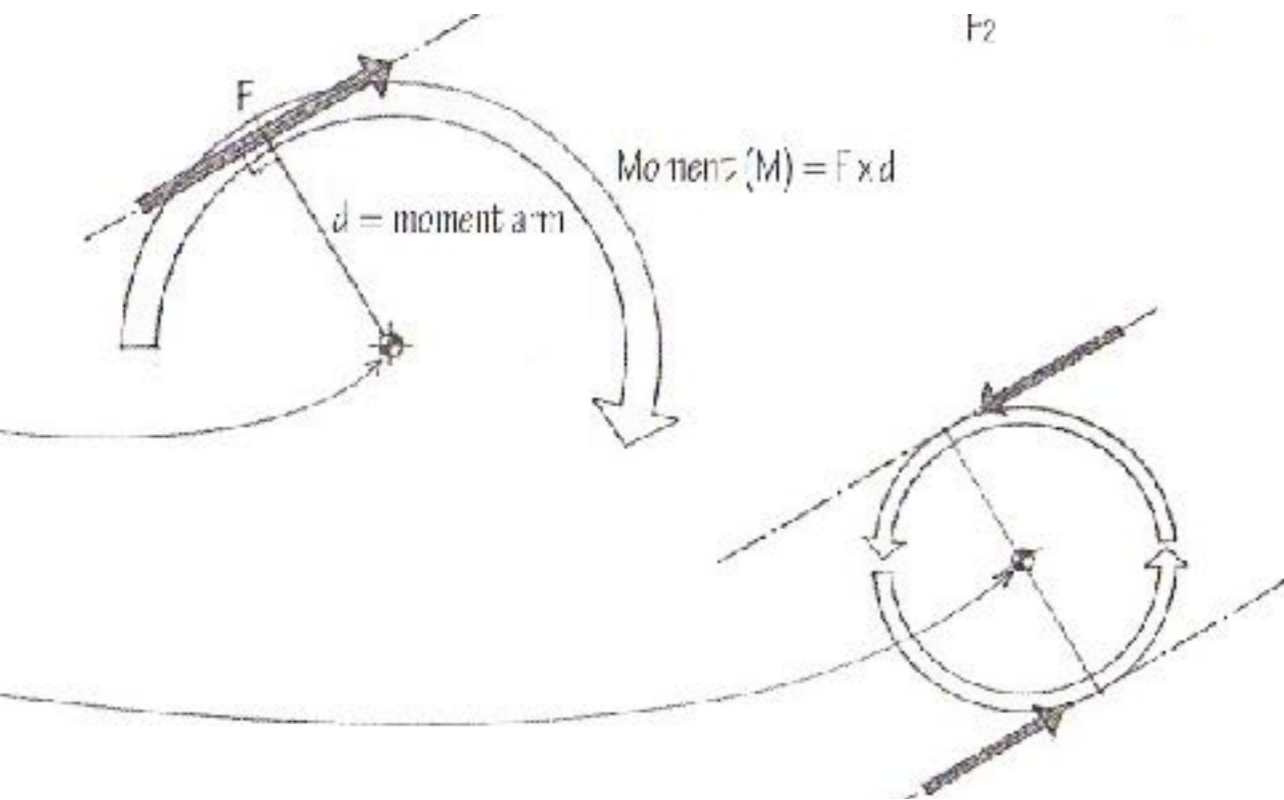
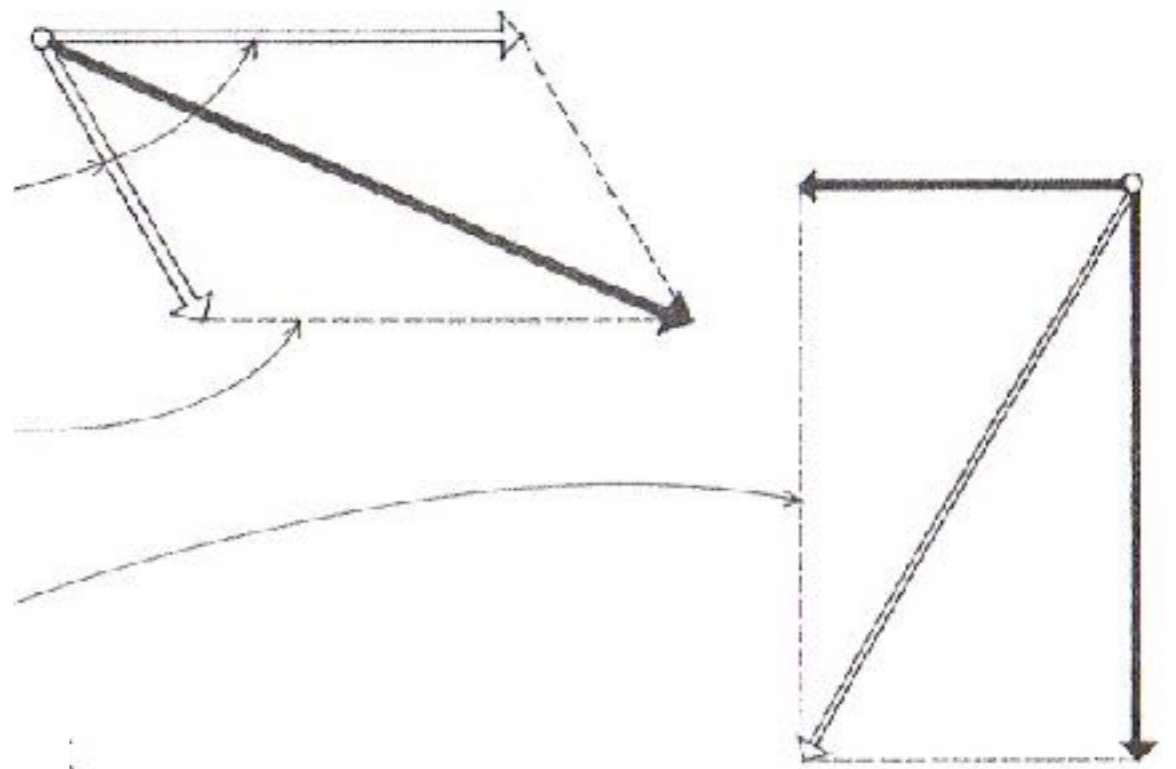
ARCH 1231

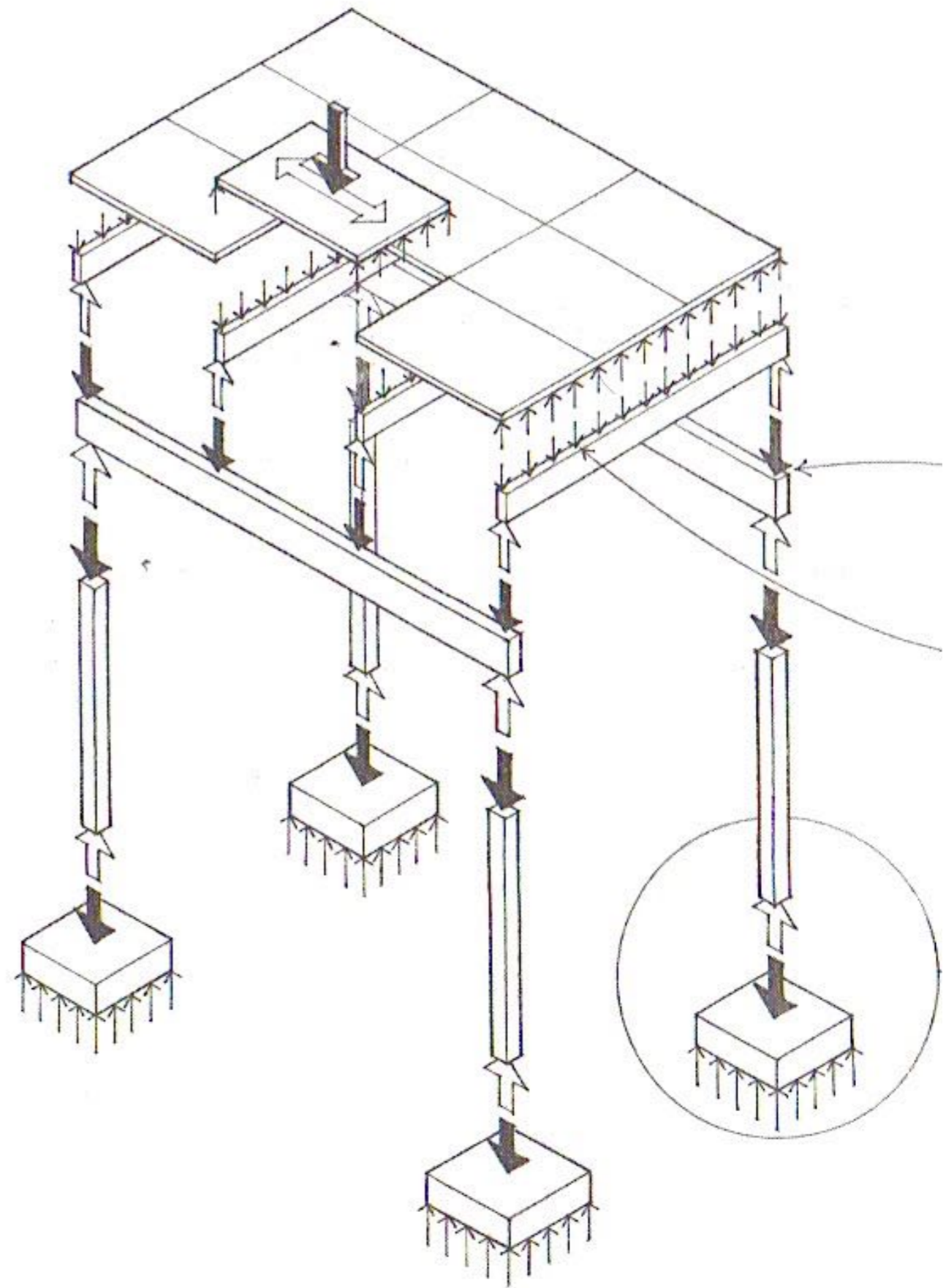
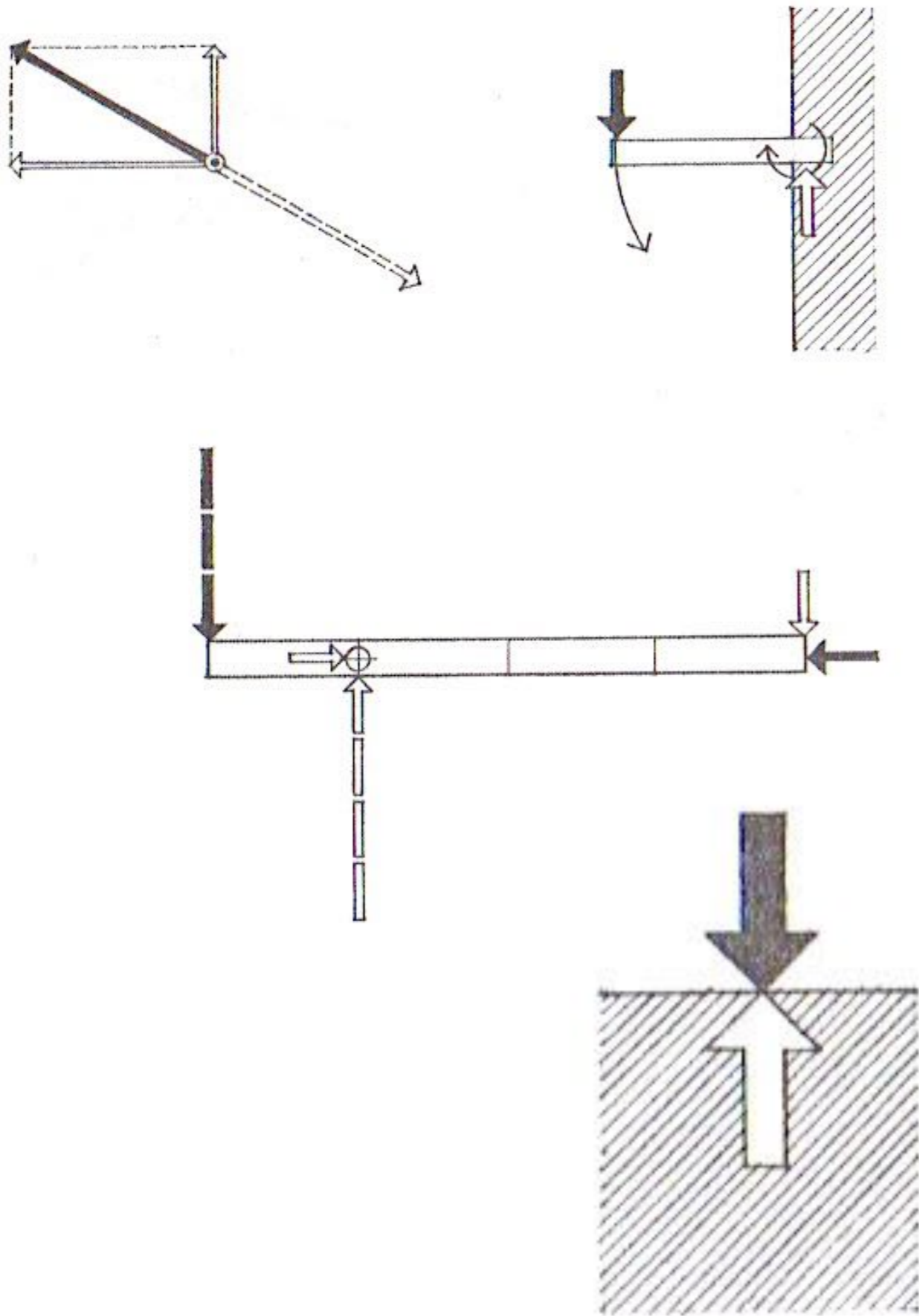
PROFESSOR MONTGOMERY

Structural Components + Forces

Illustrations from *Building Construction Illustrated*, Francis Ching

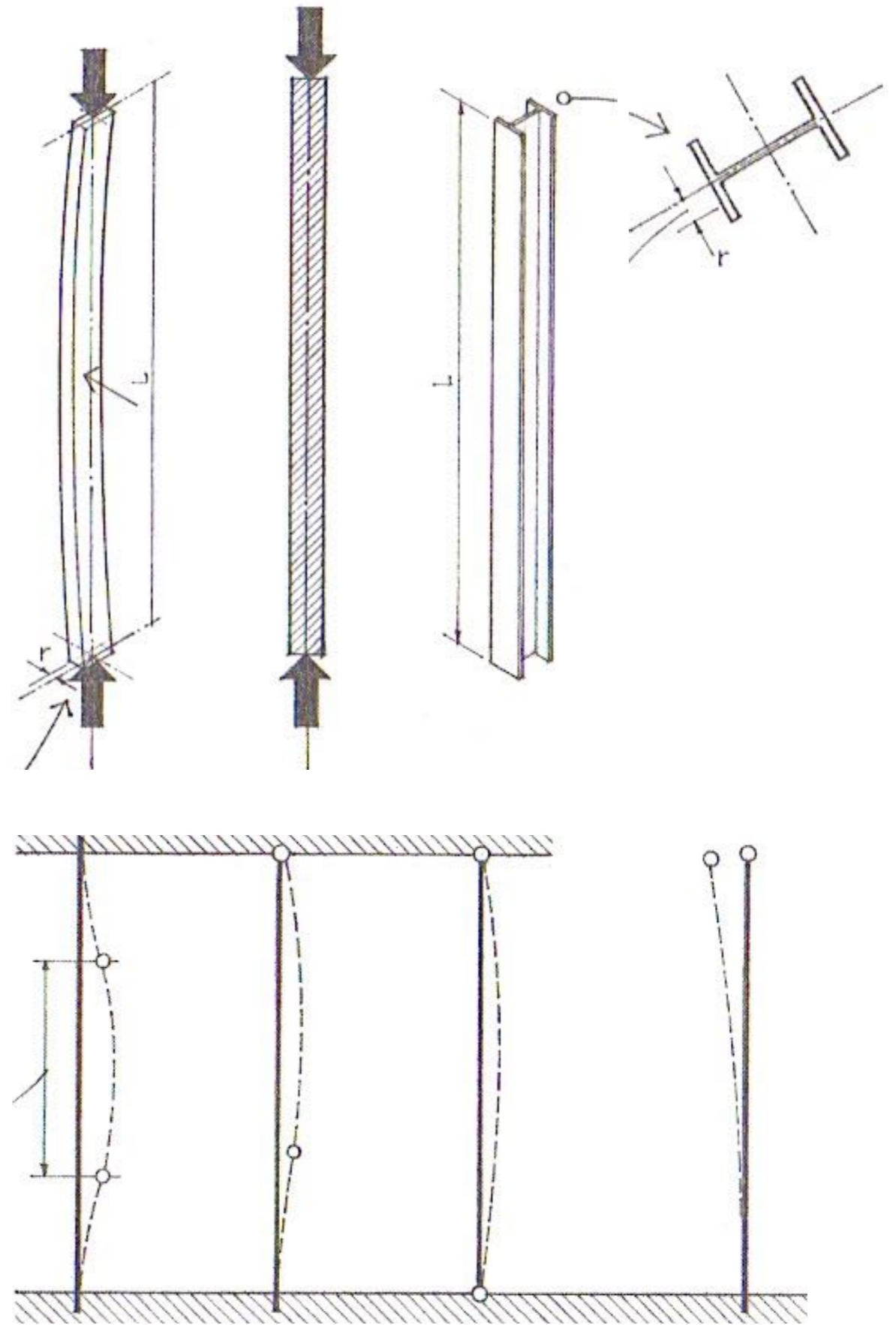
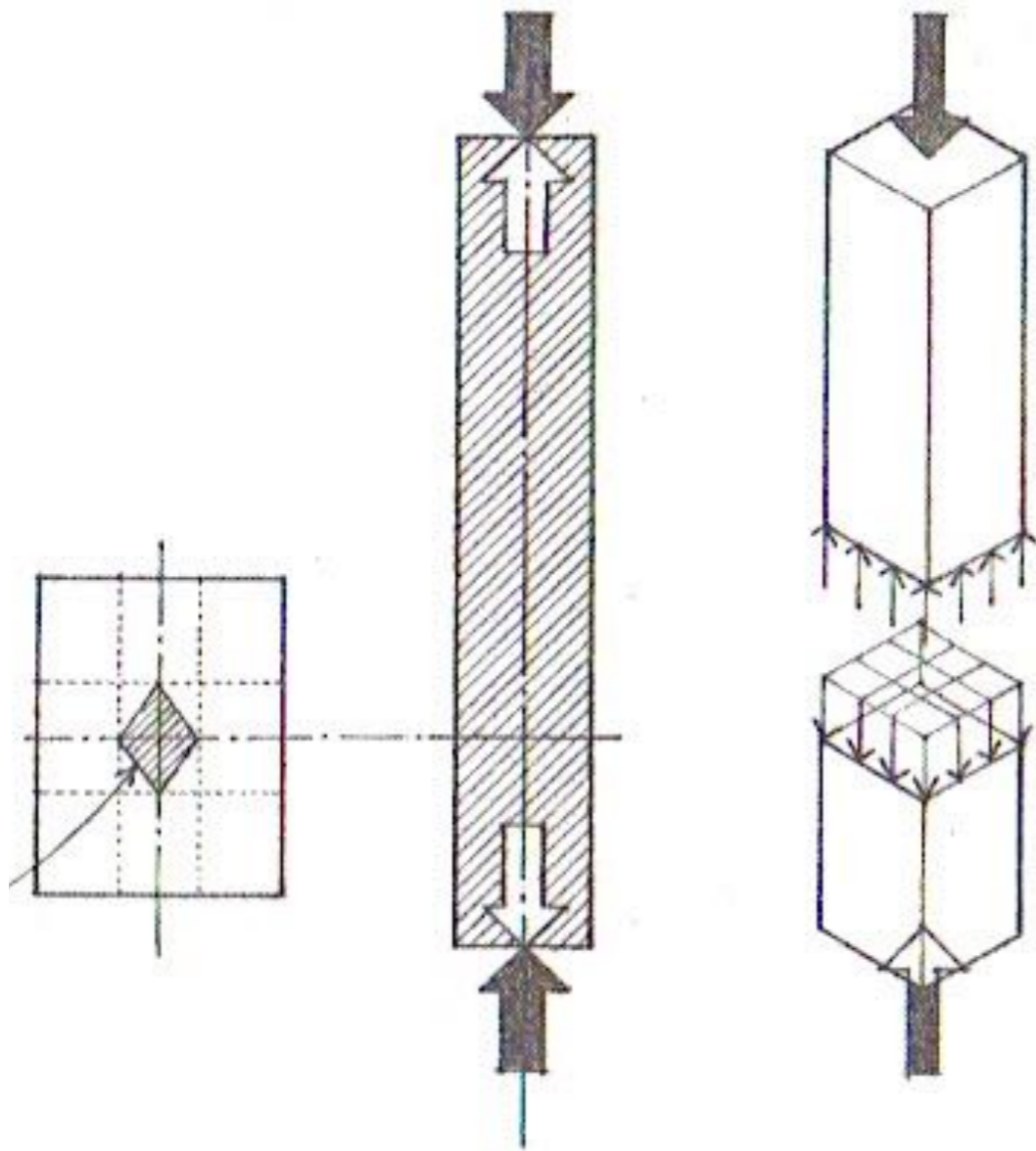
PROFESSOR MONTGOMERY





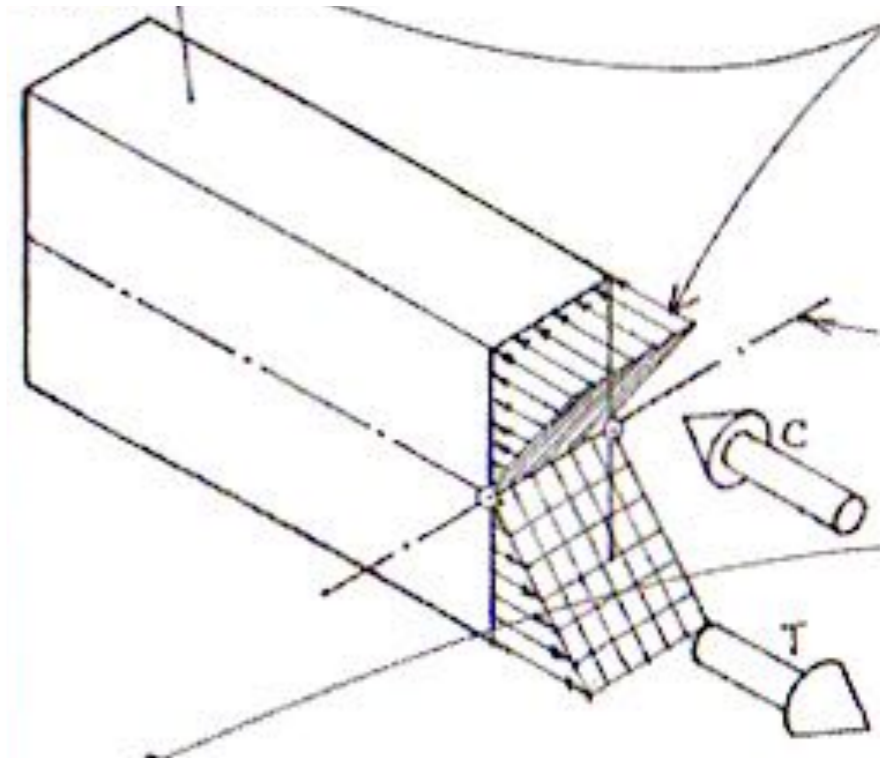
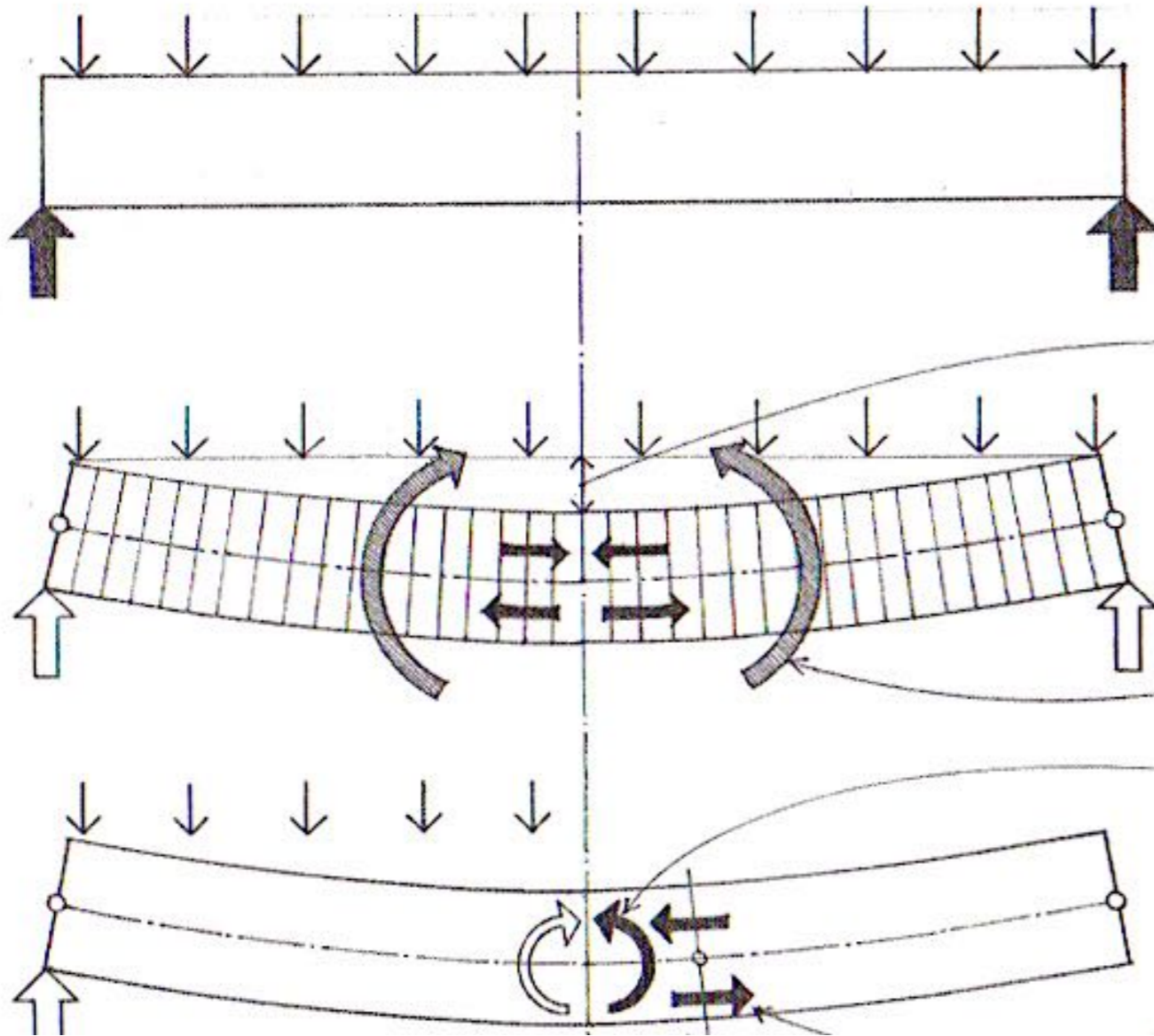
PROFESSOR MONTGOMERY

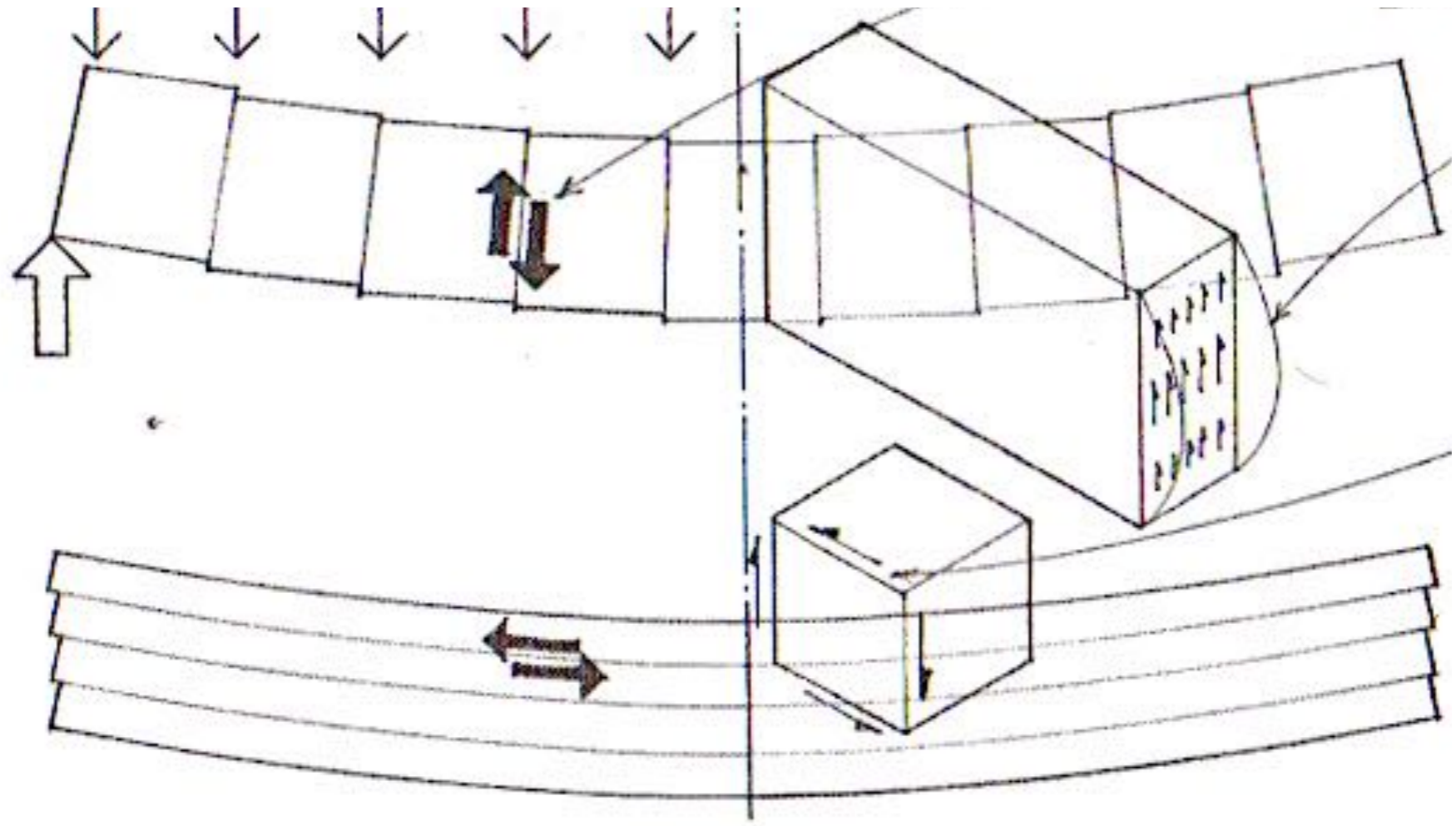
FORCES

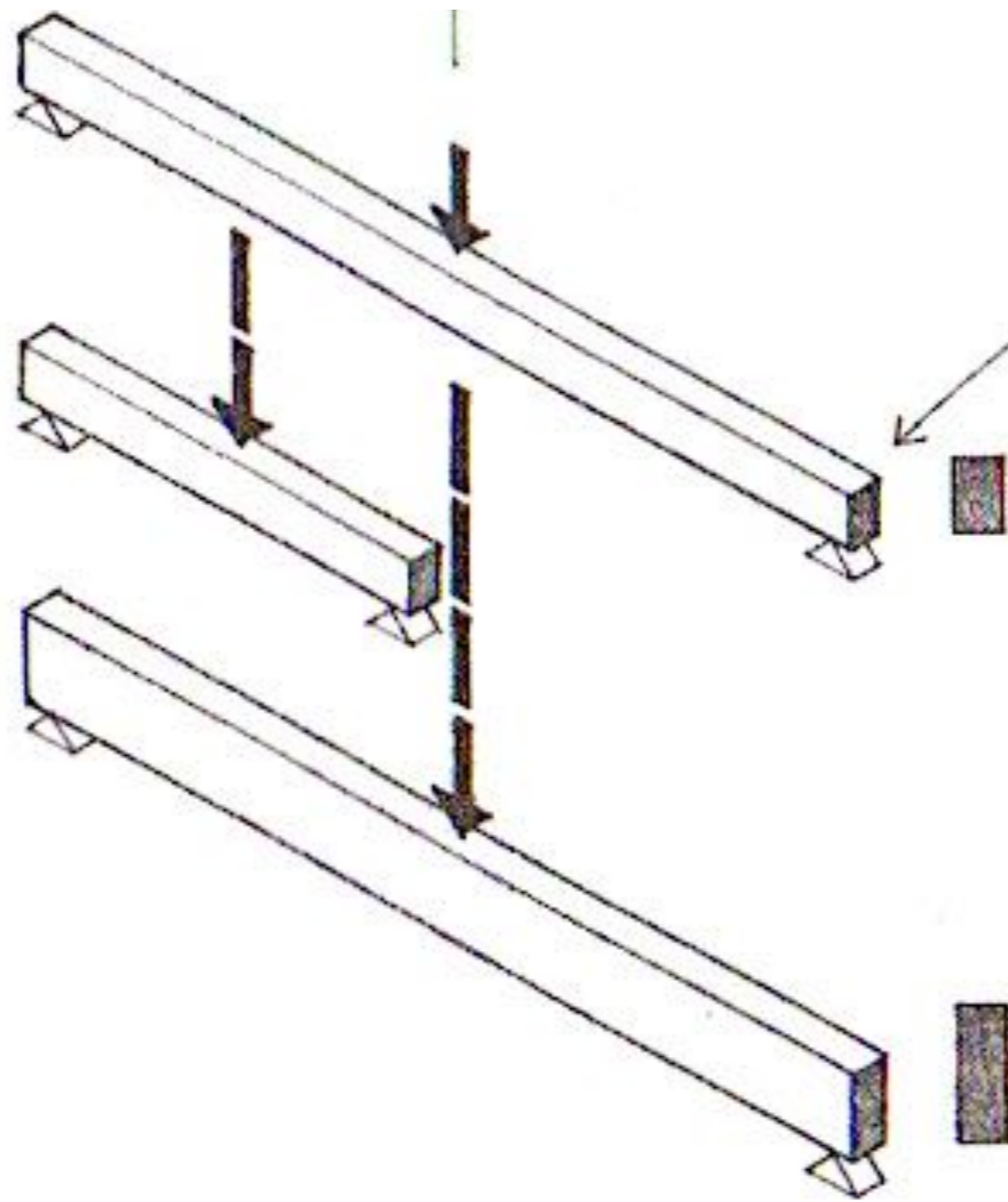


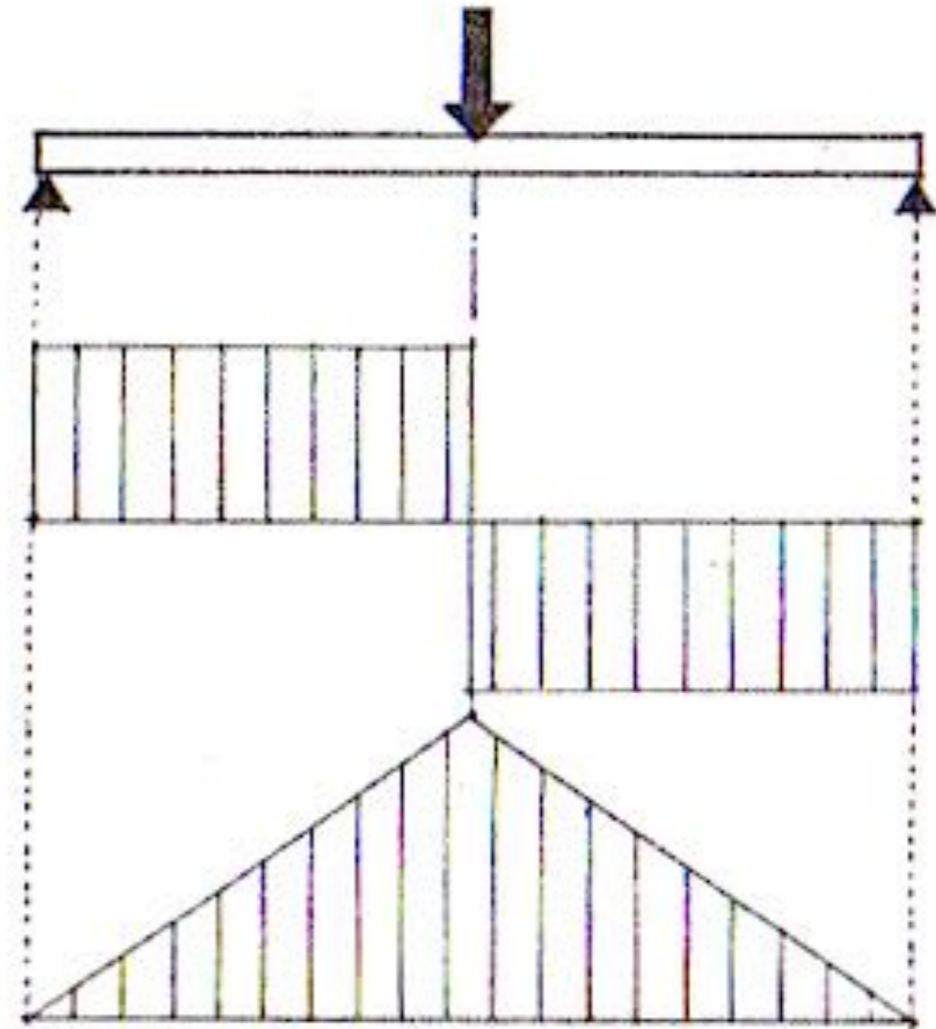
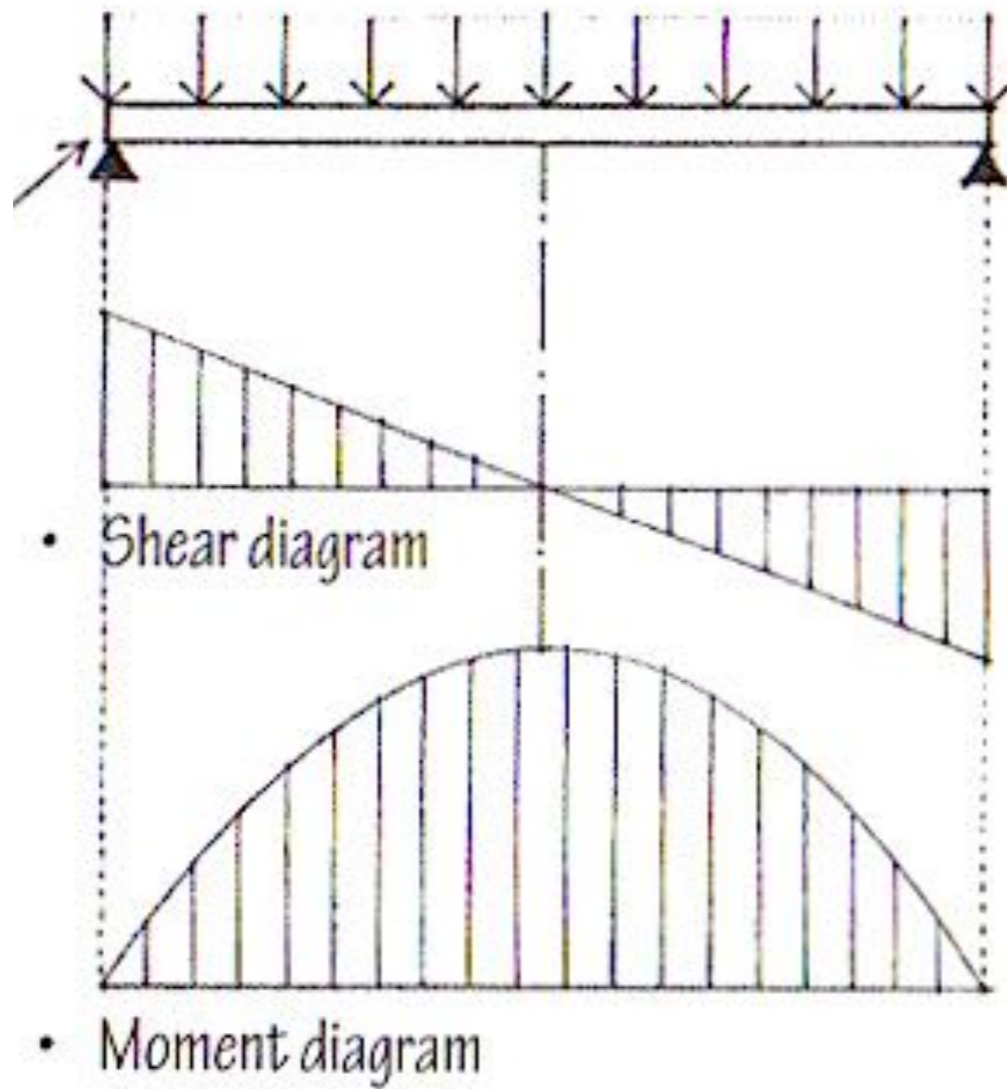
PROFESSOR MONTGOMERY

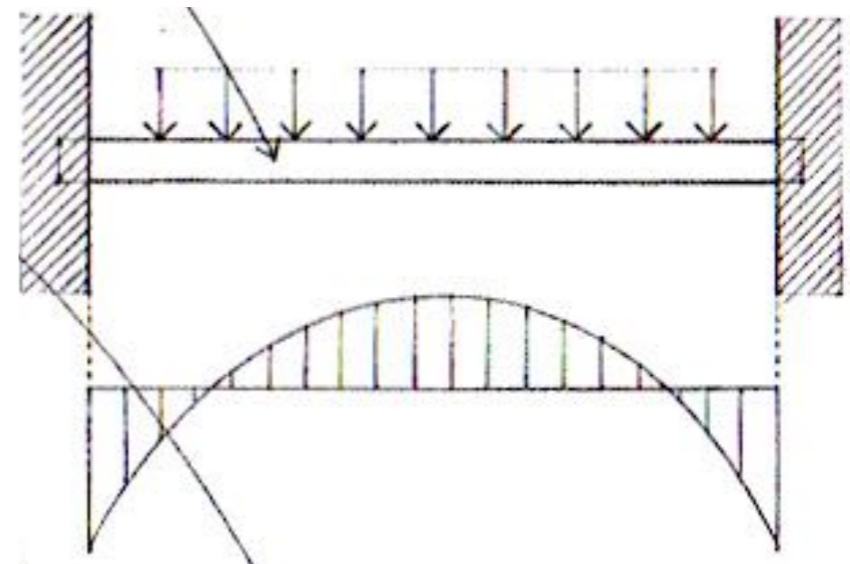
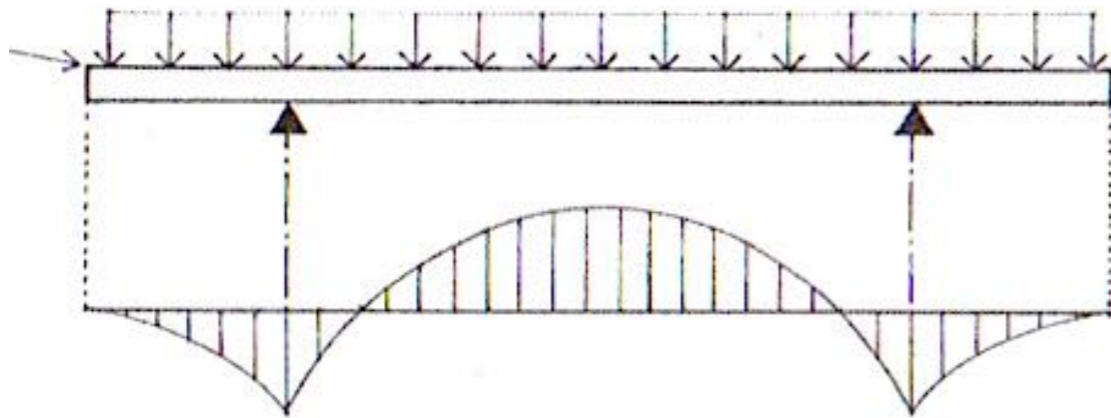
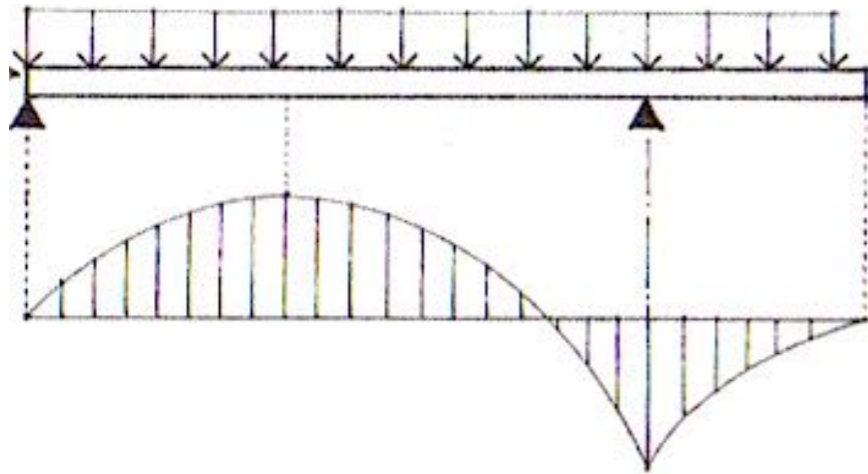
COLUMNS

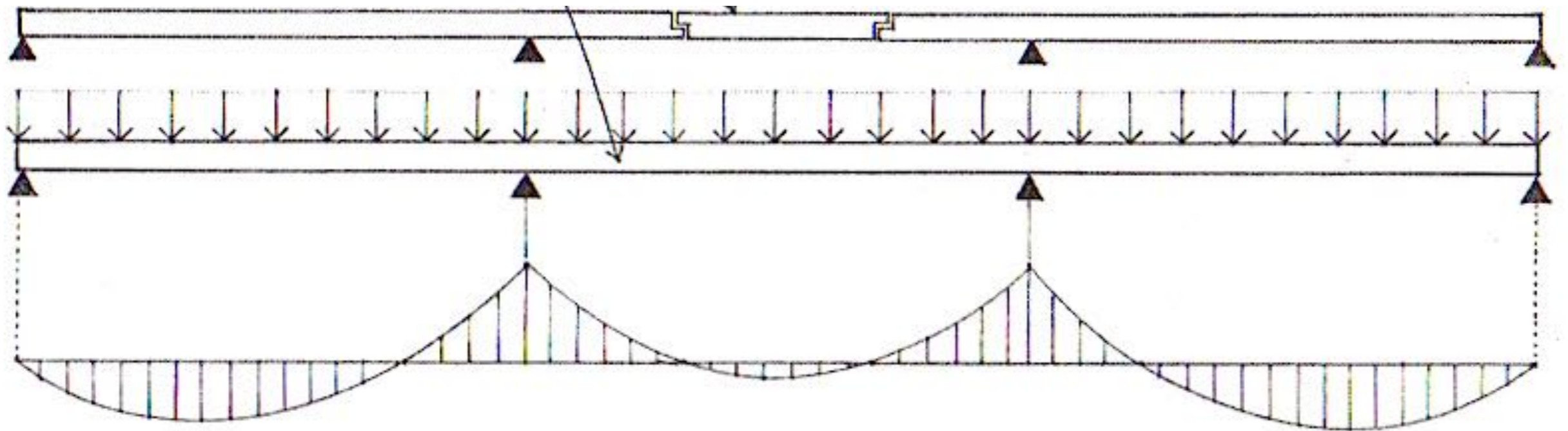


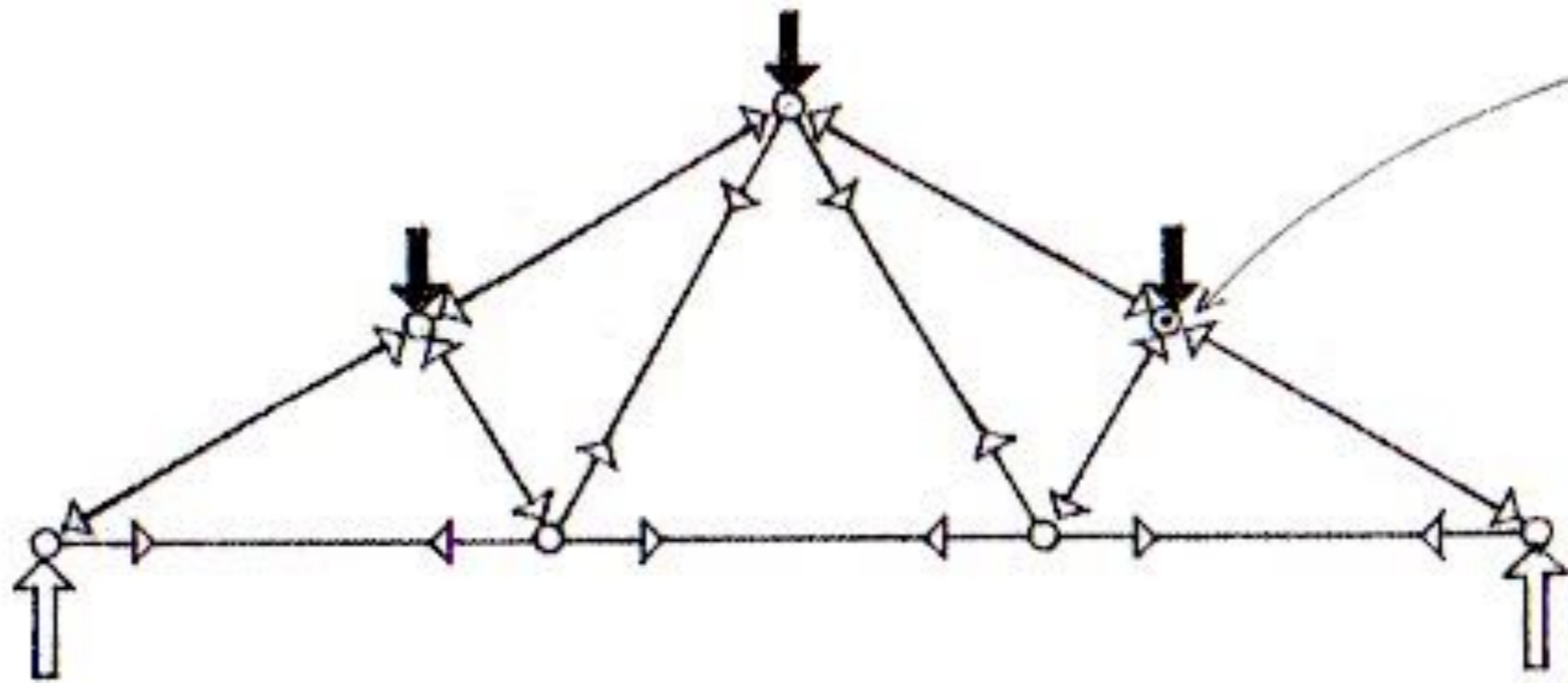
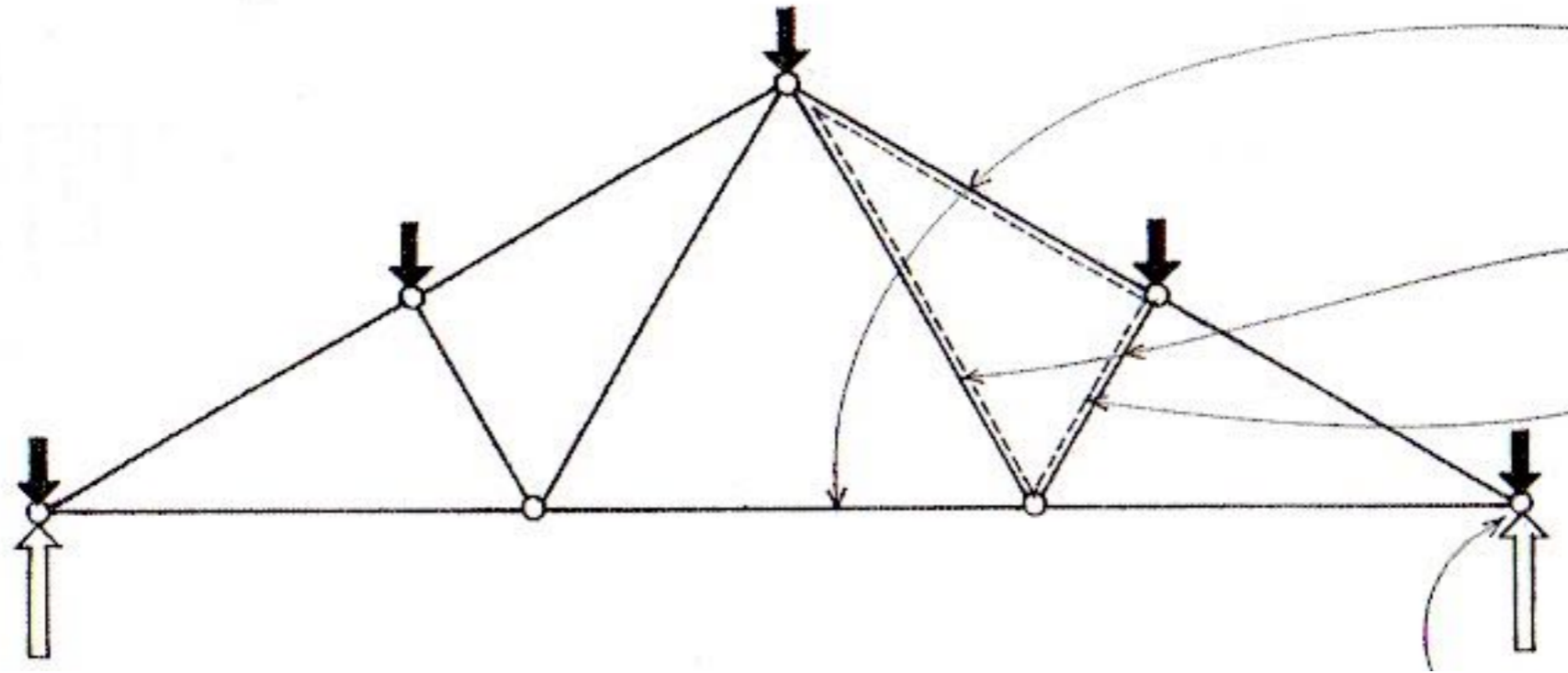


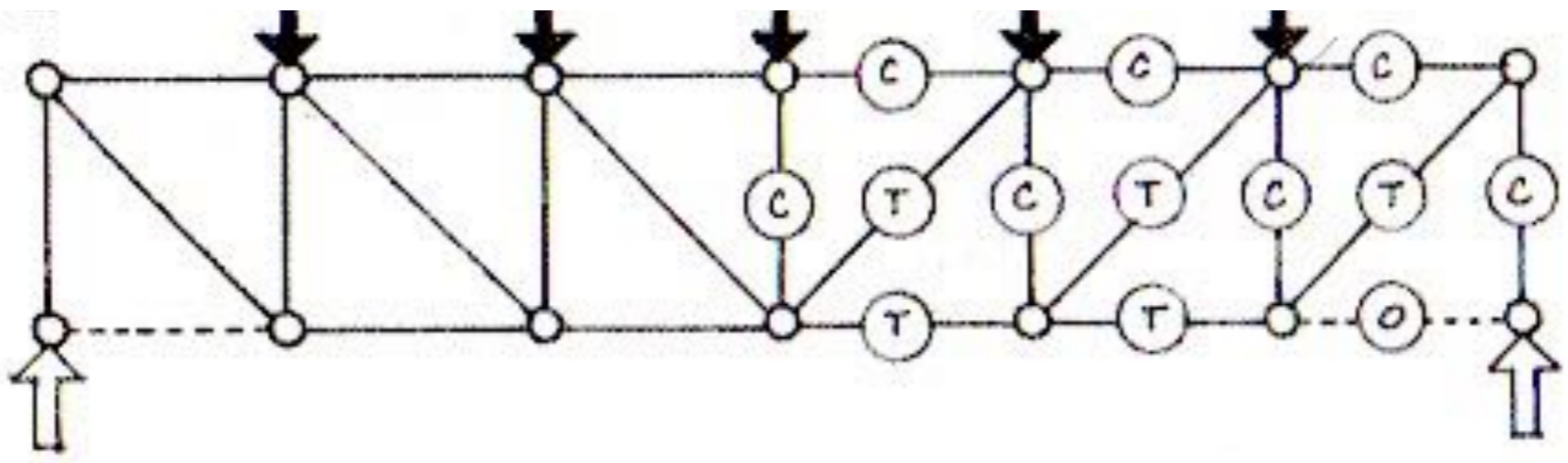
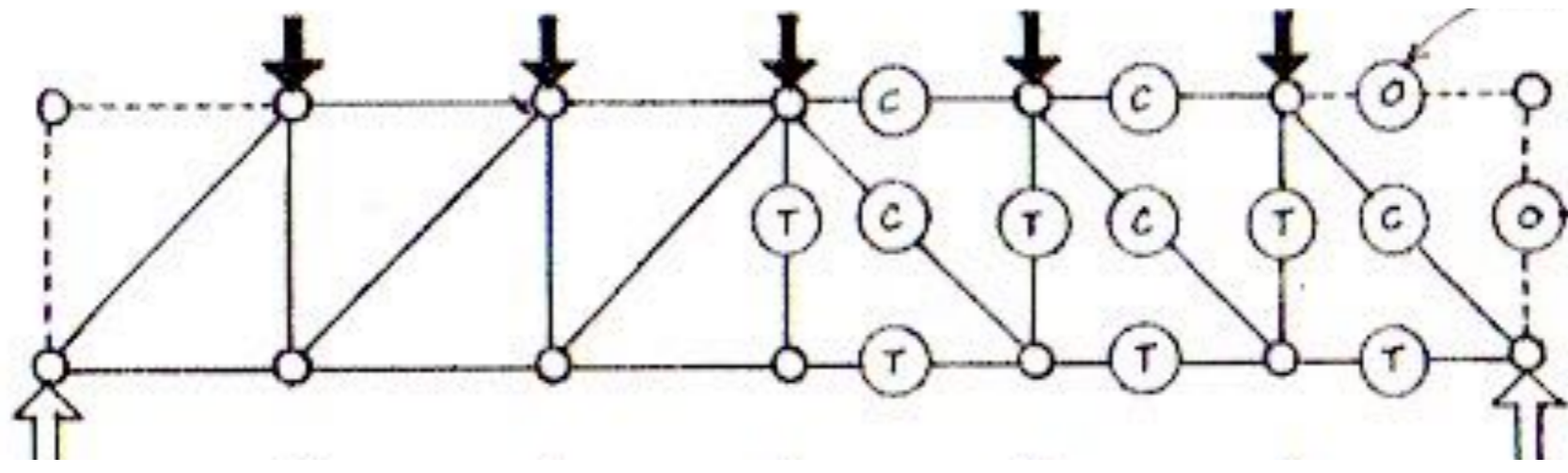


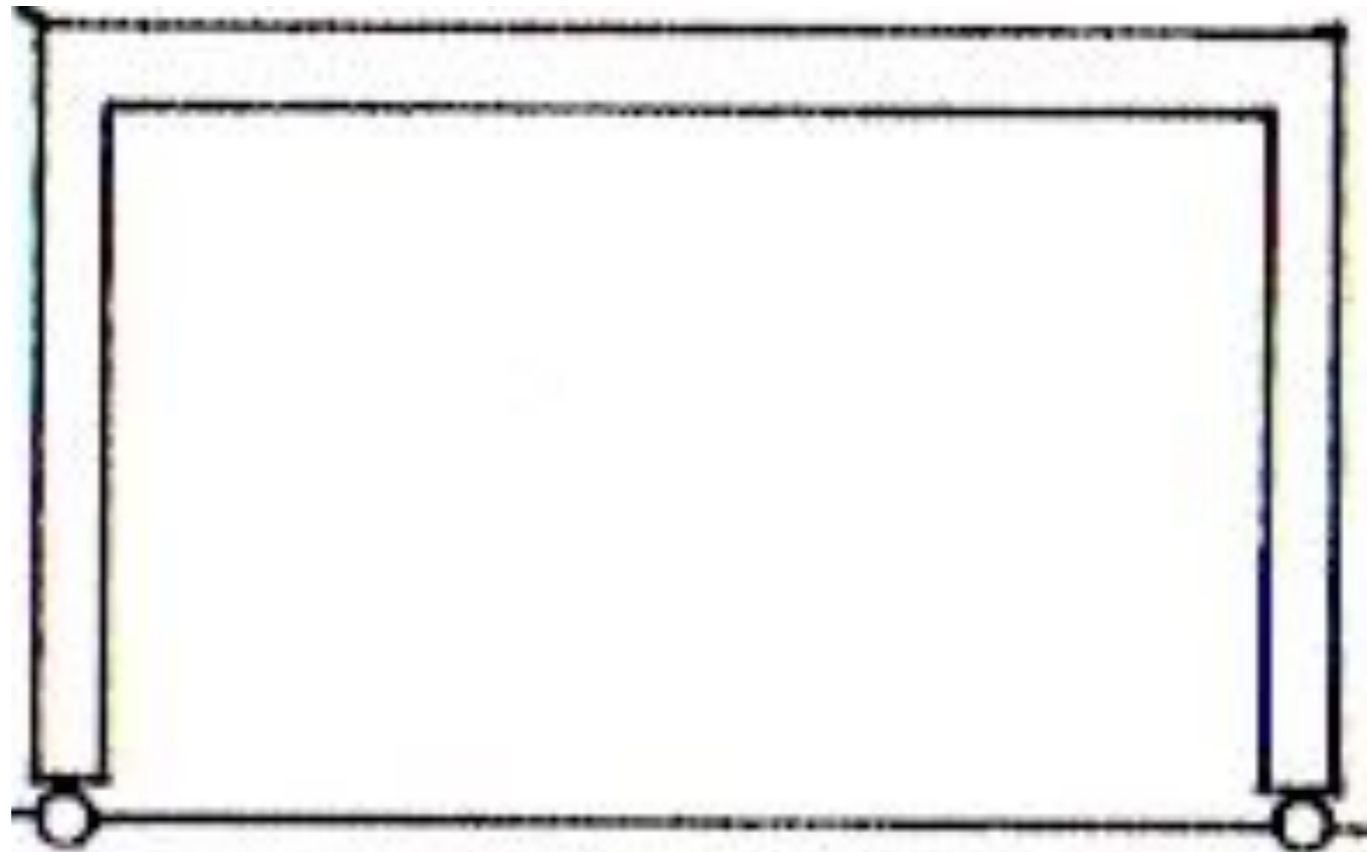


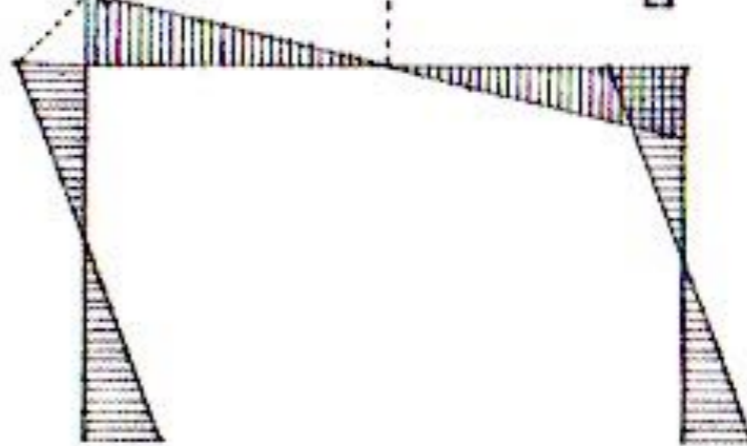
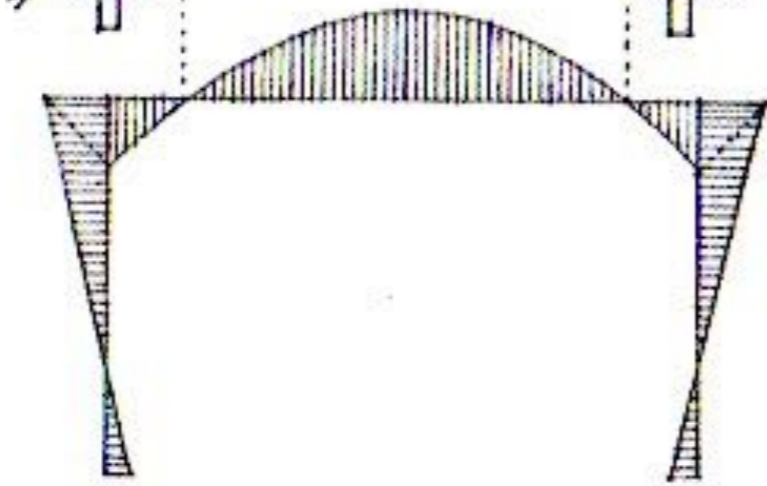
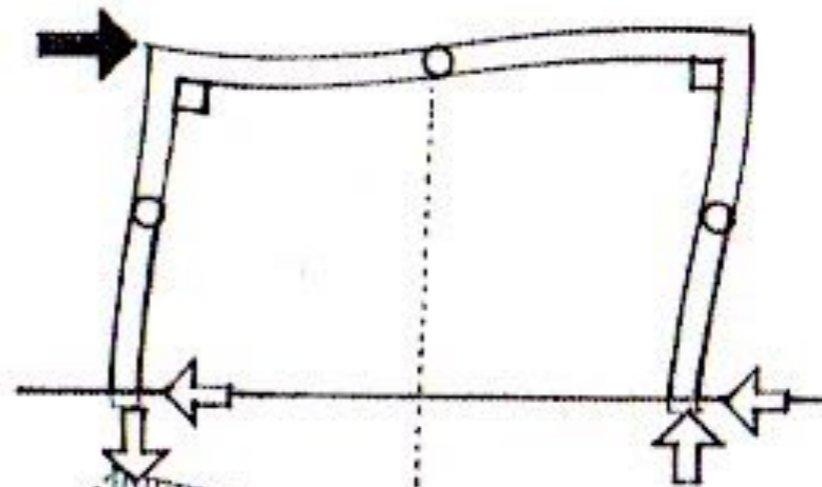
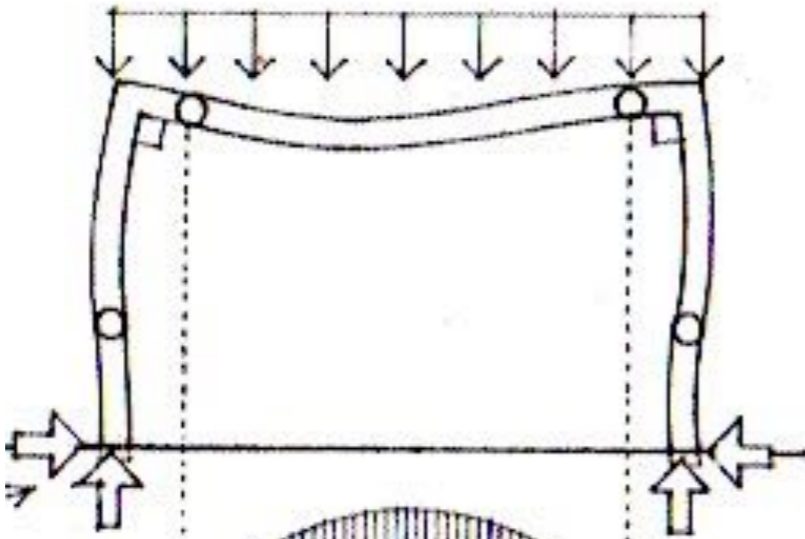
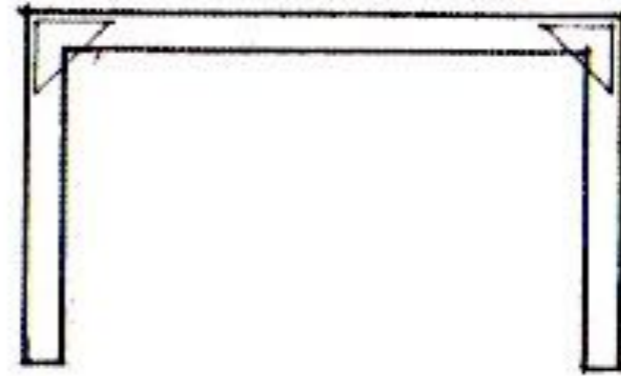
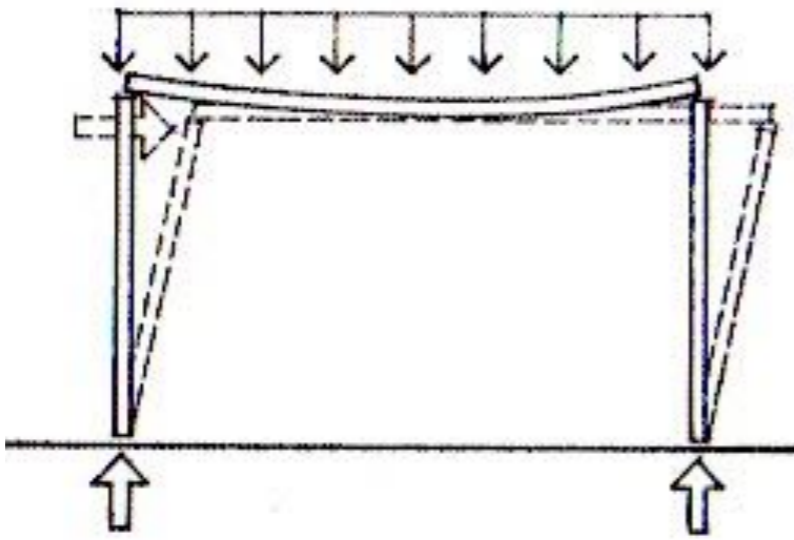


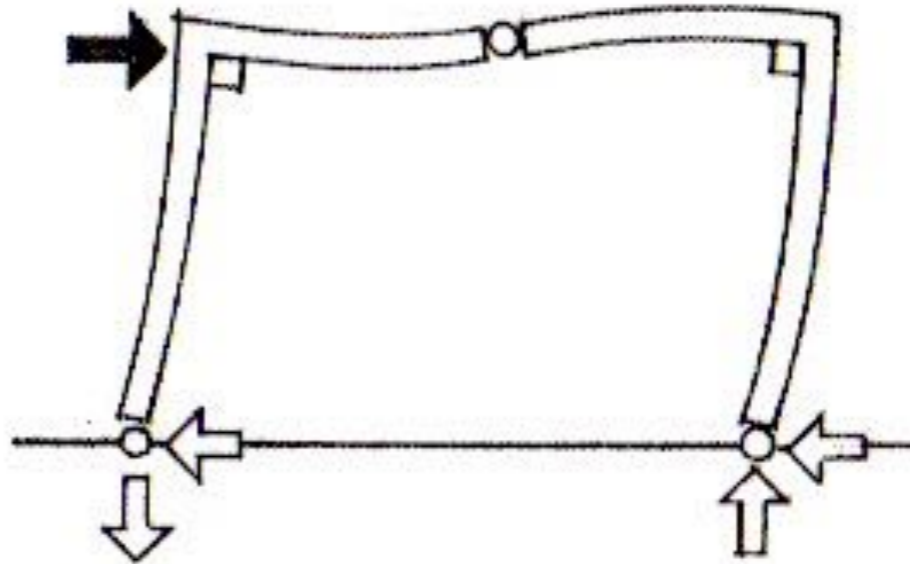
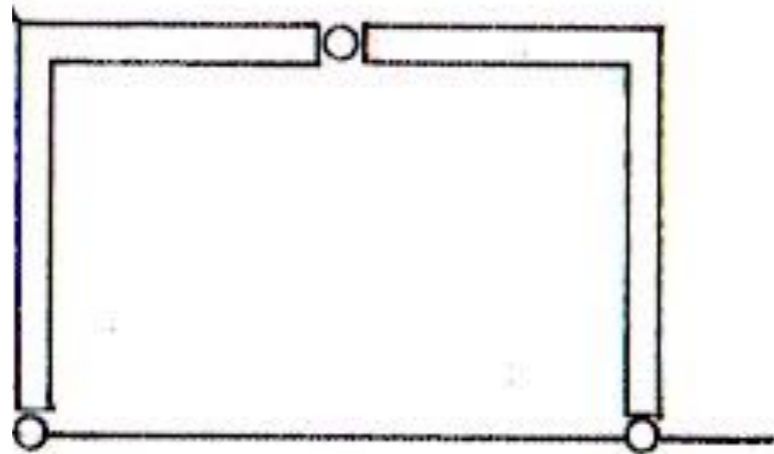
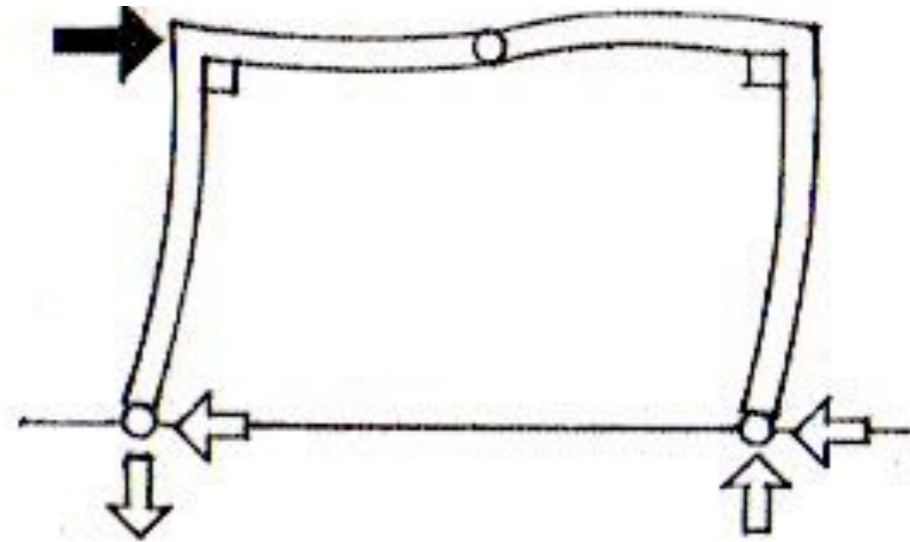
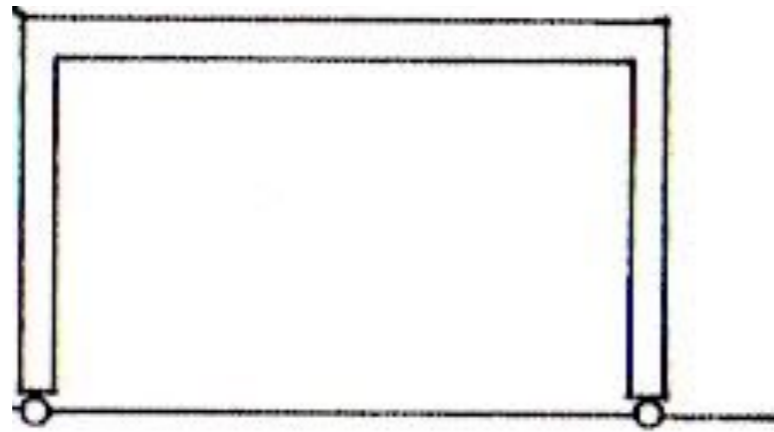


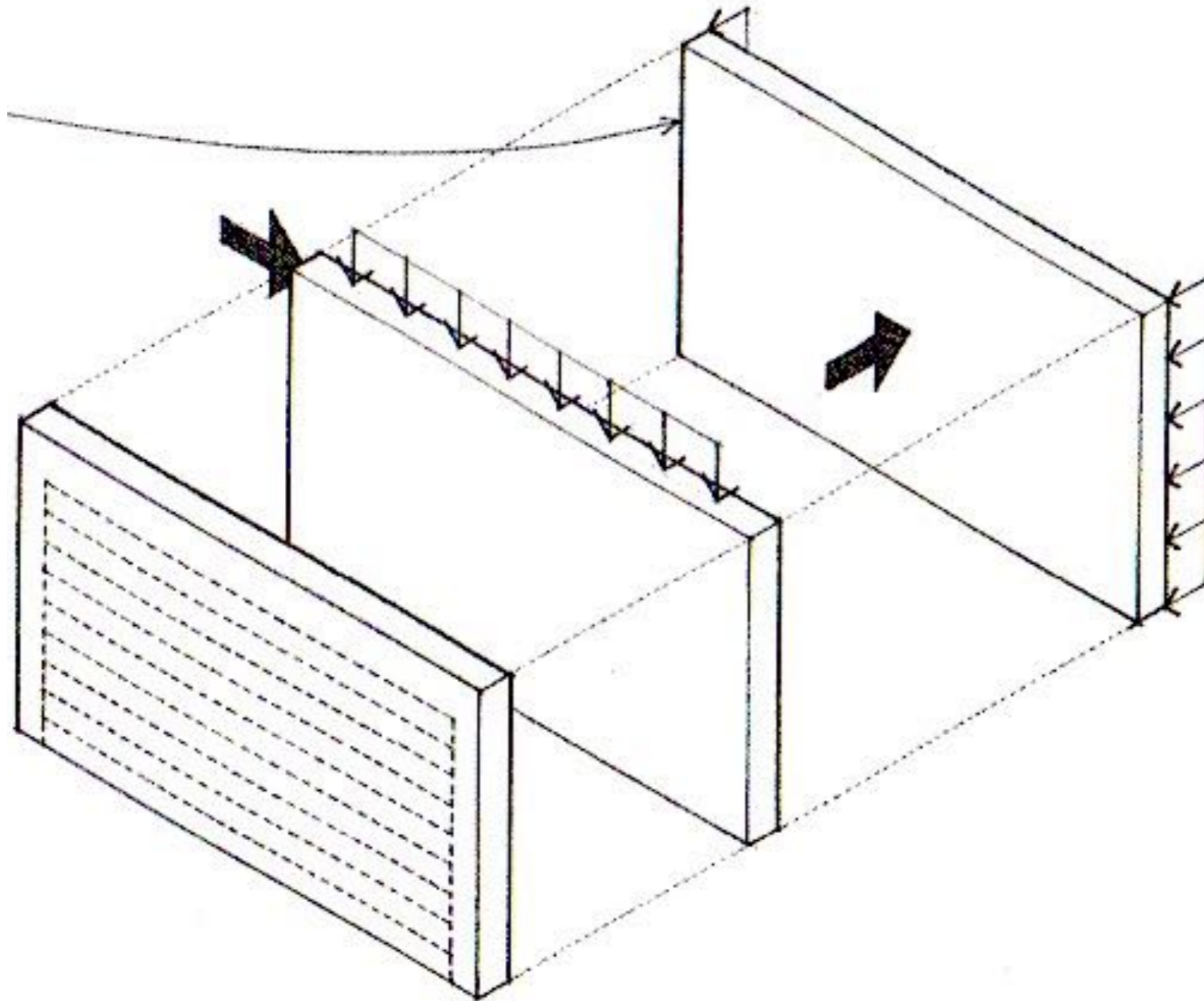


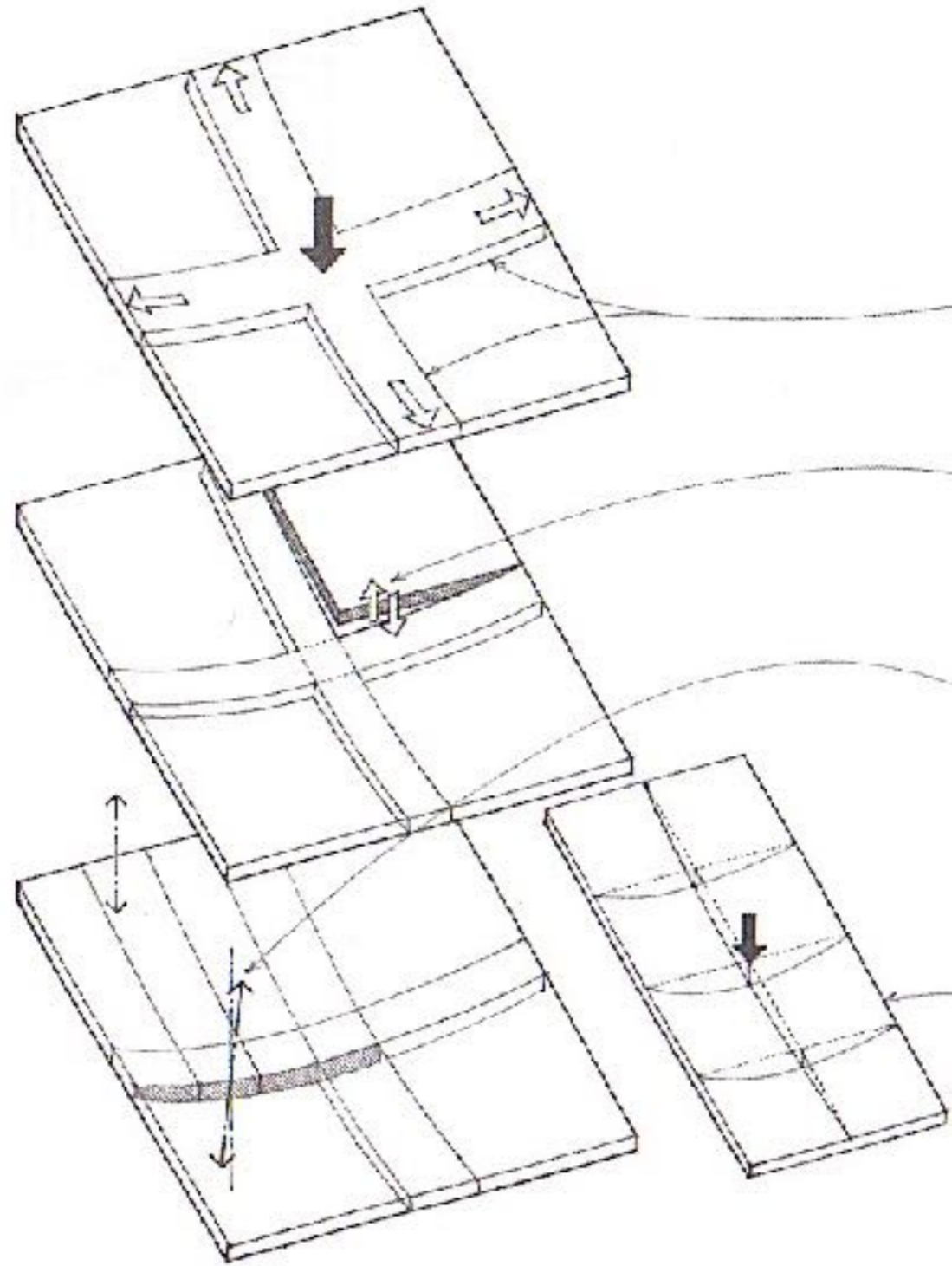


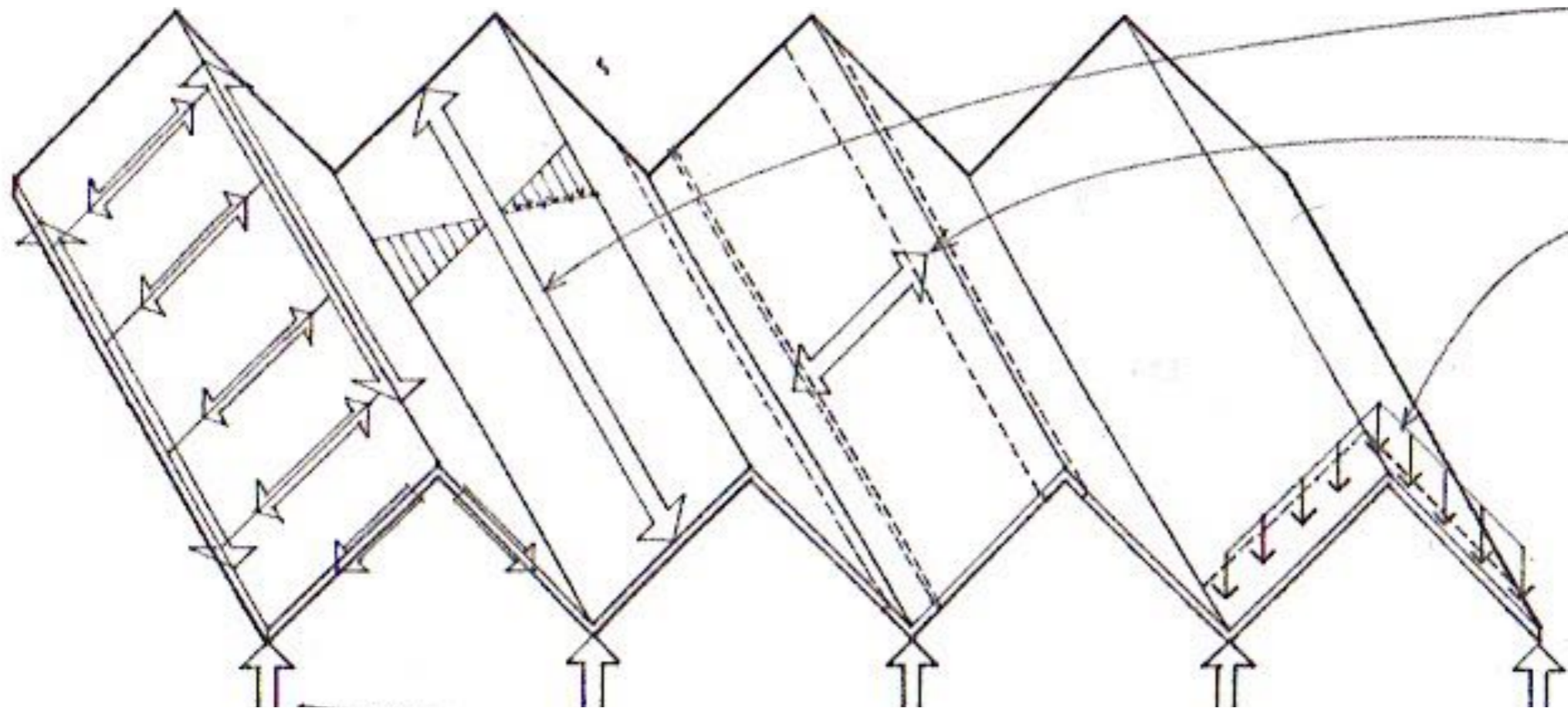


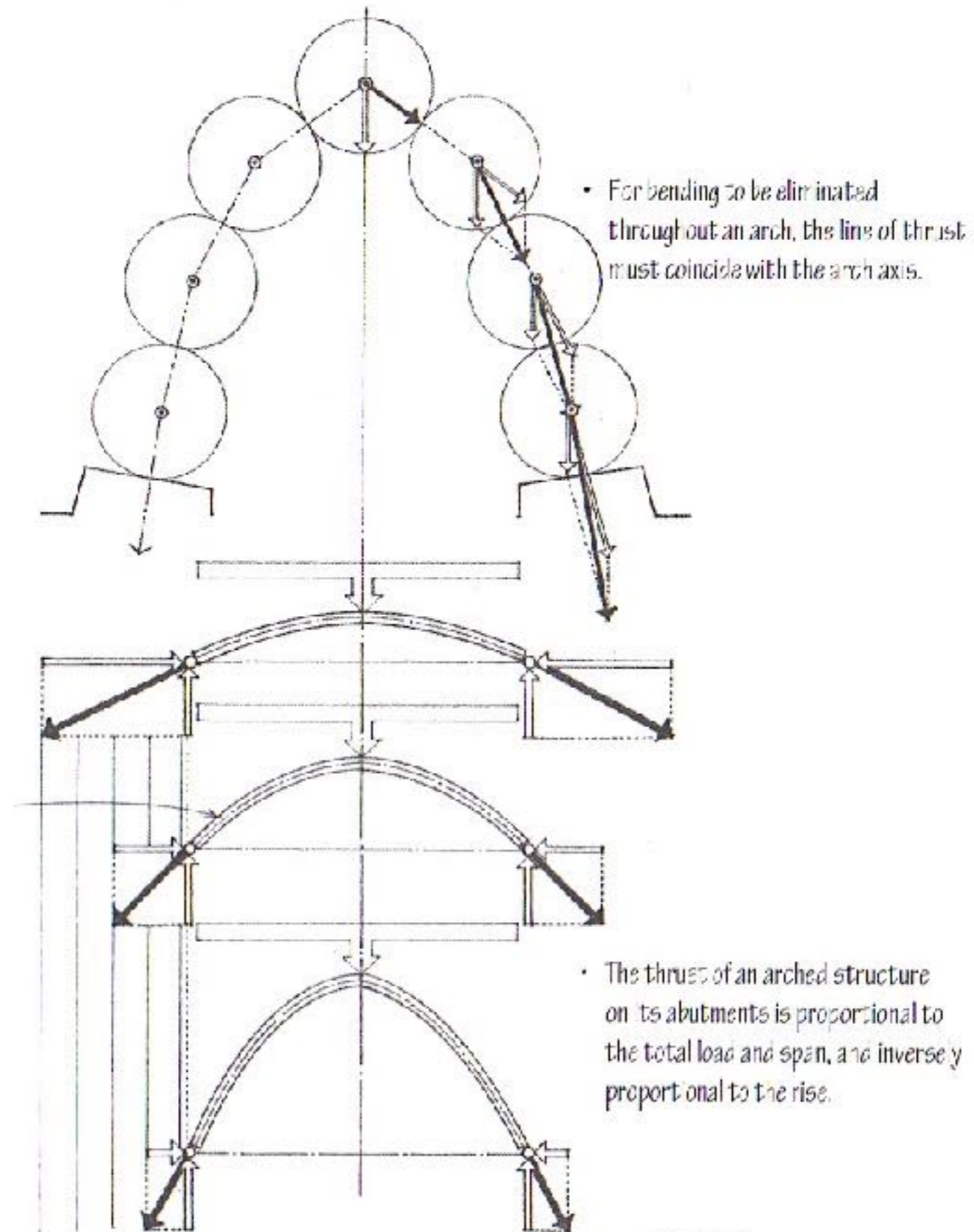


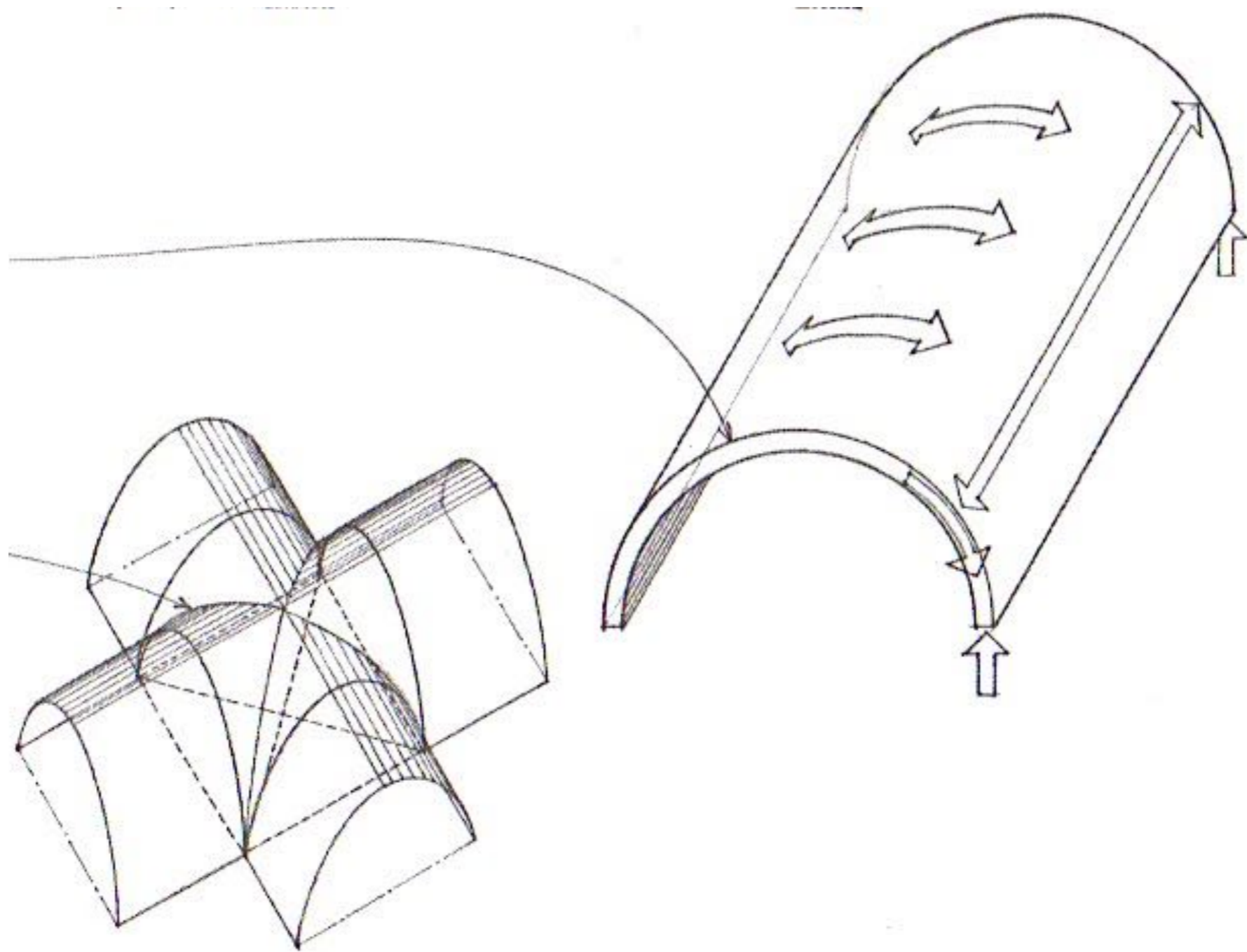


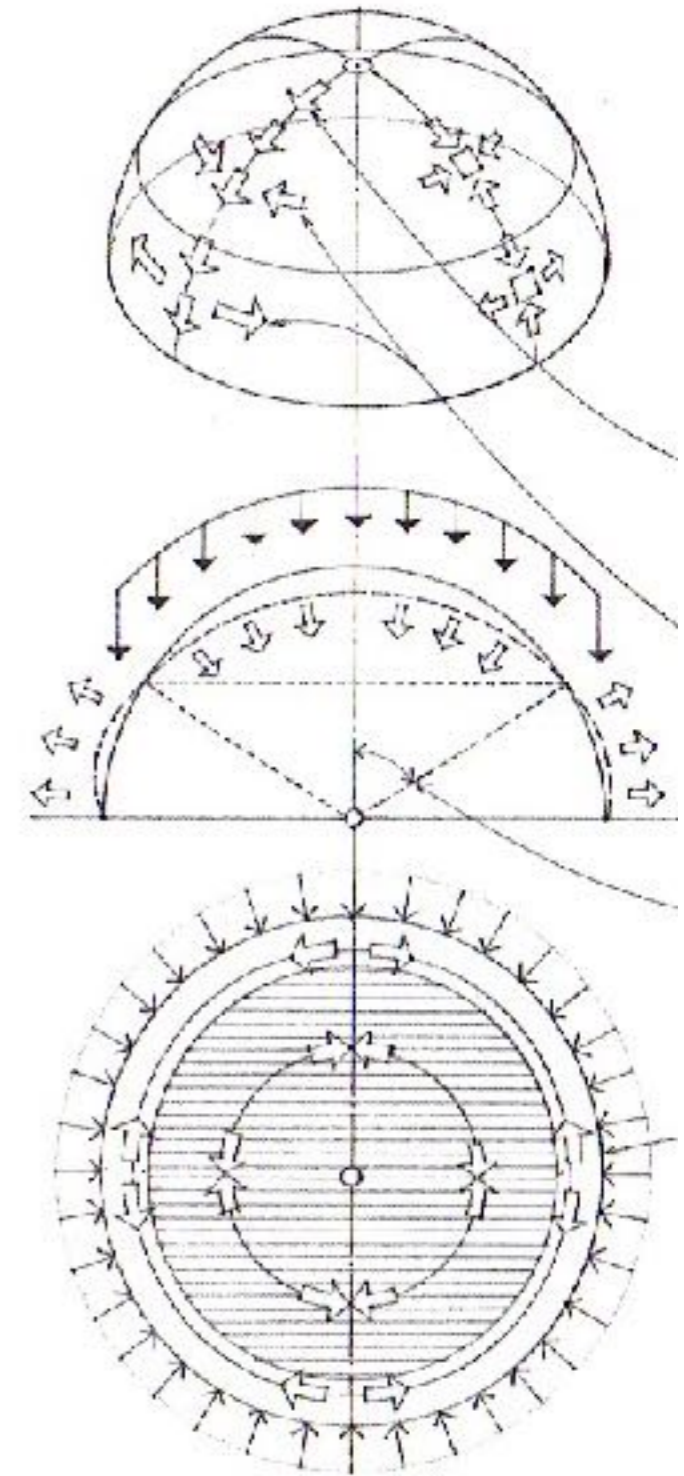
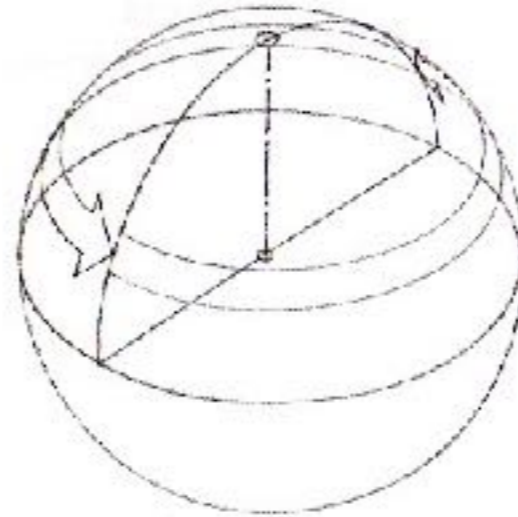
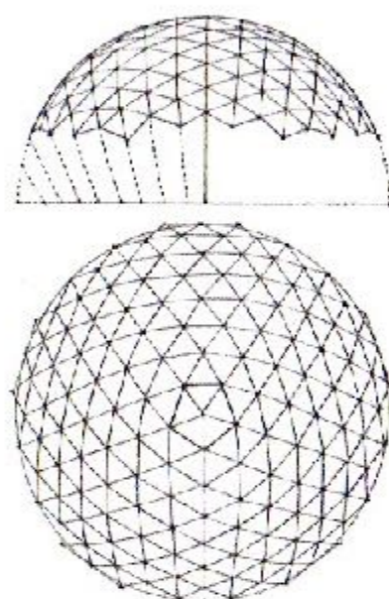
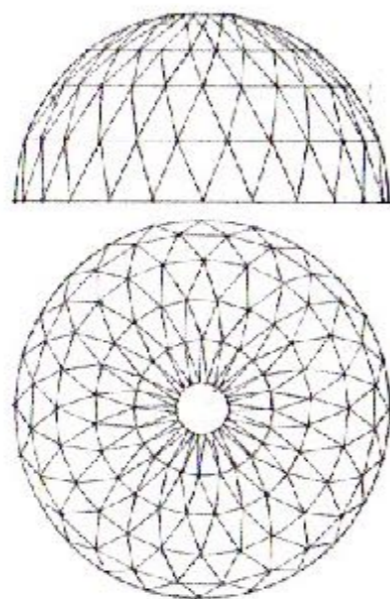
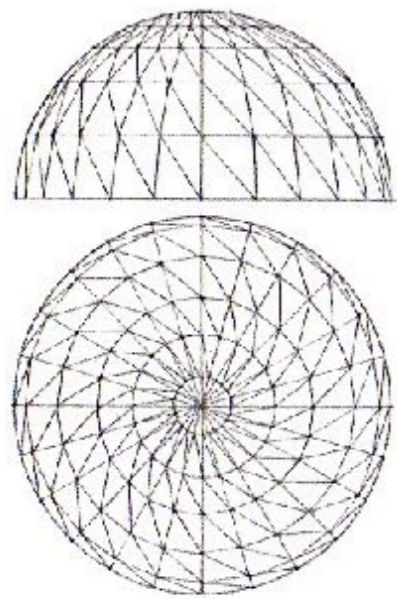


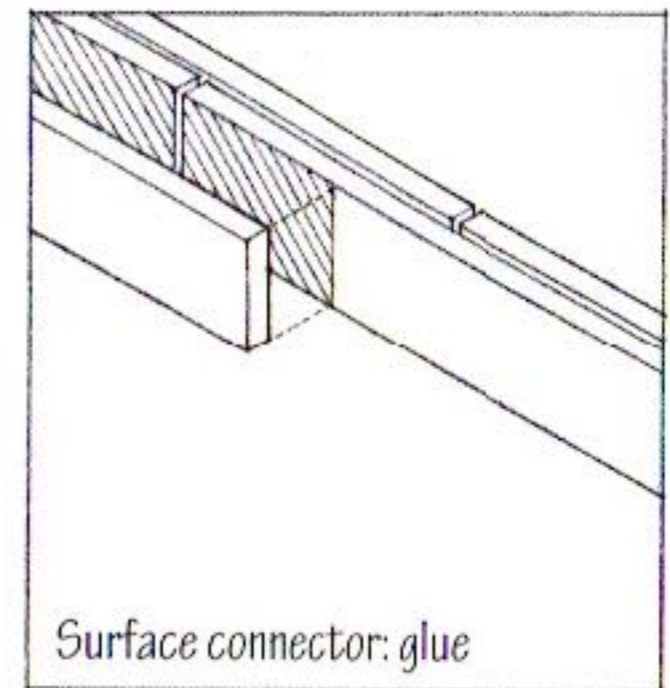
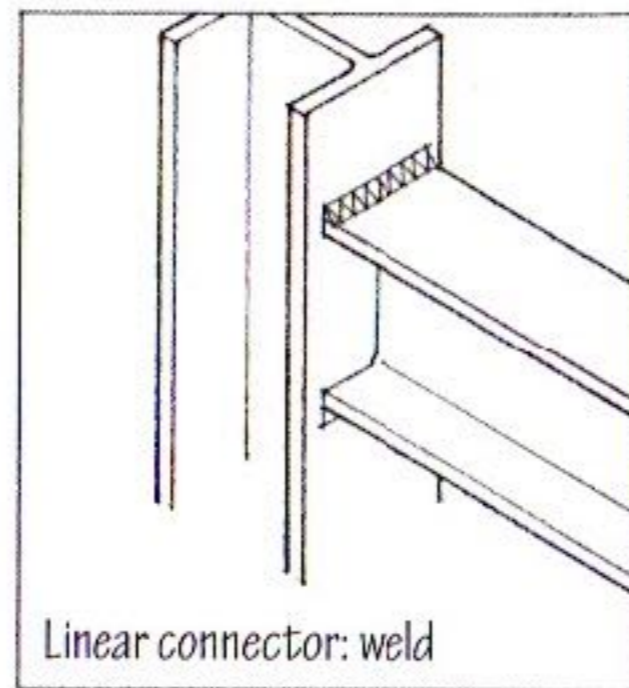
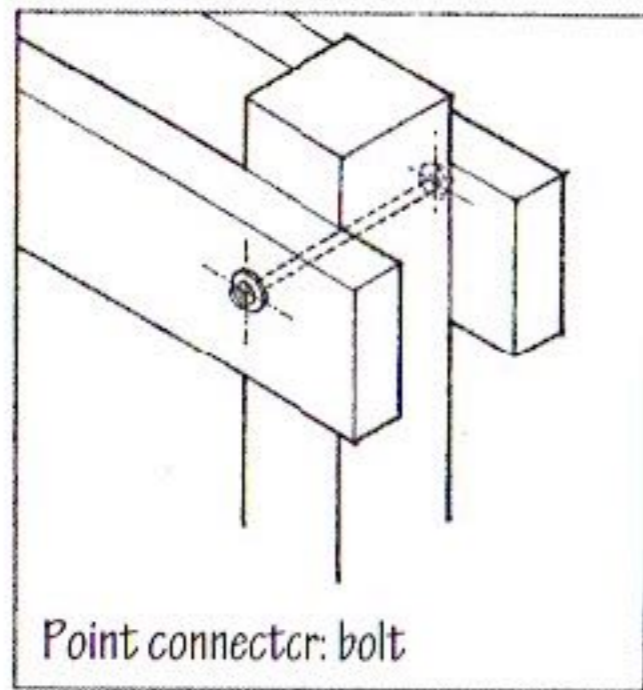
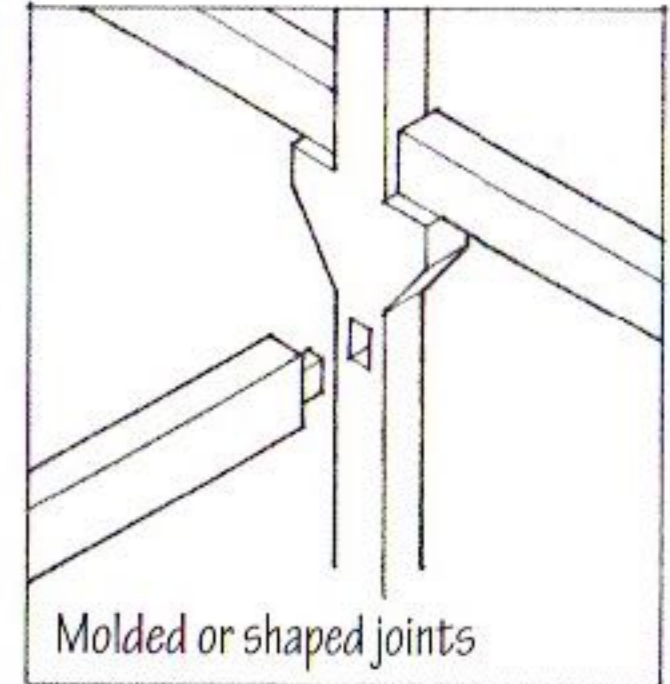
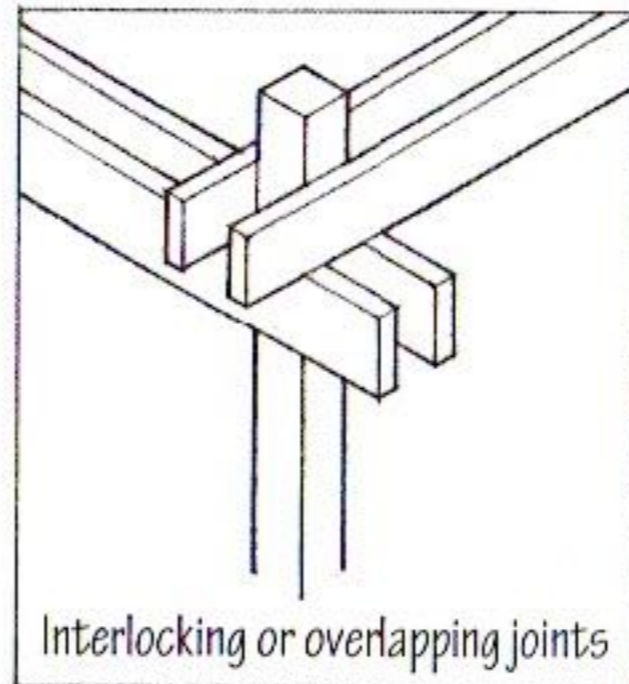
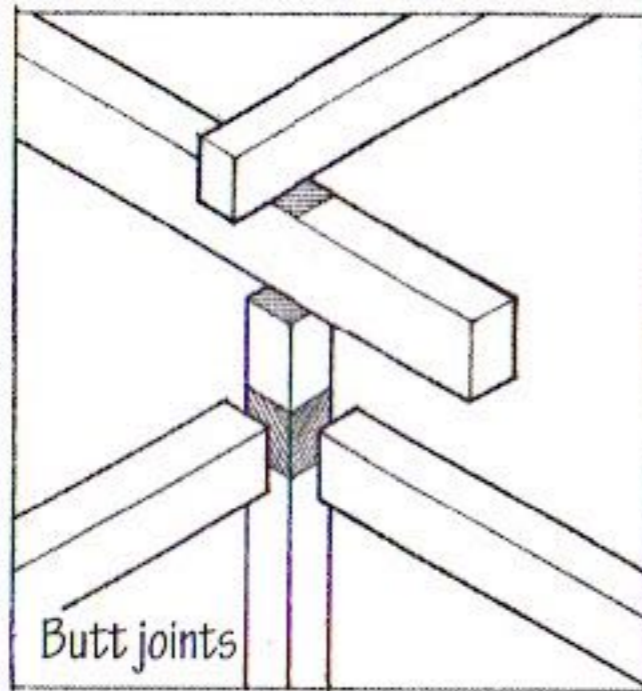


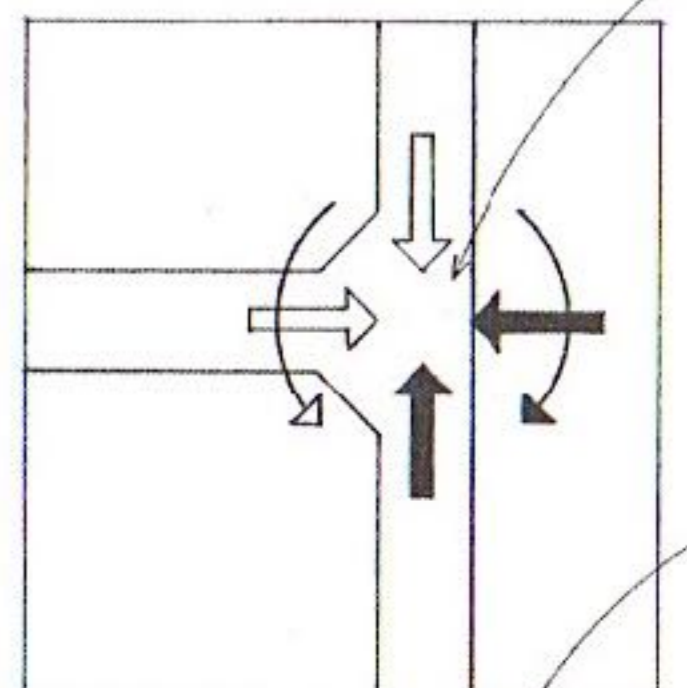
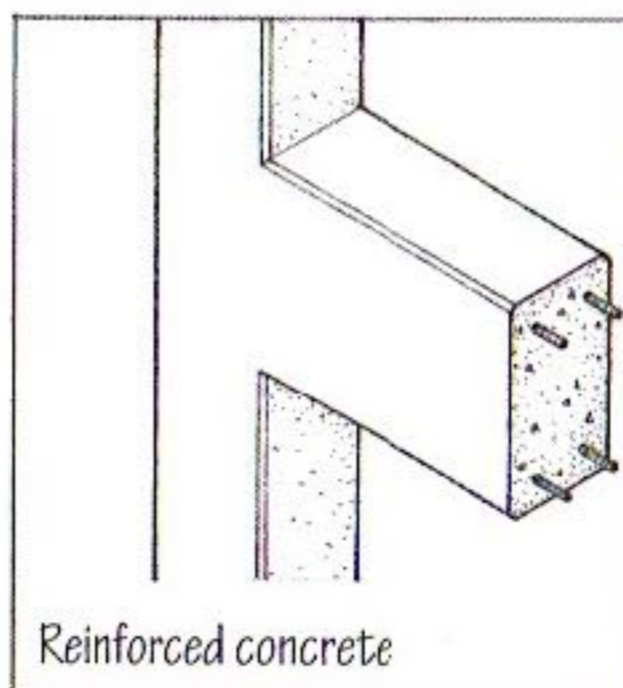
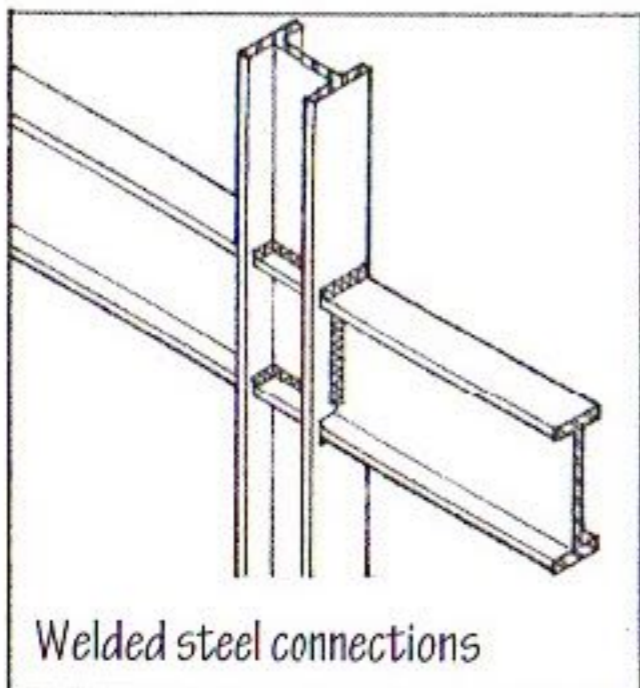
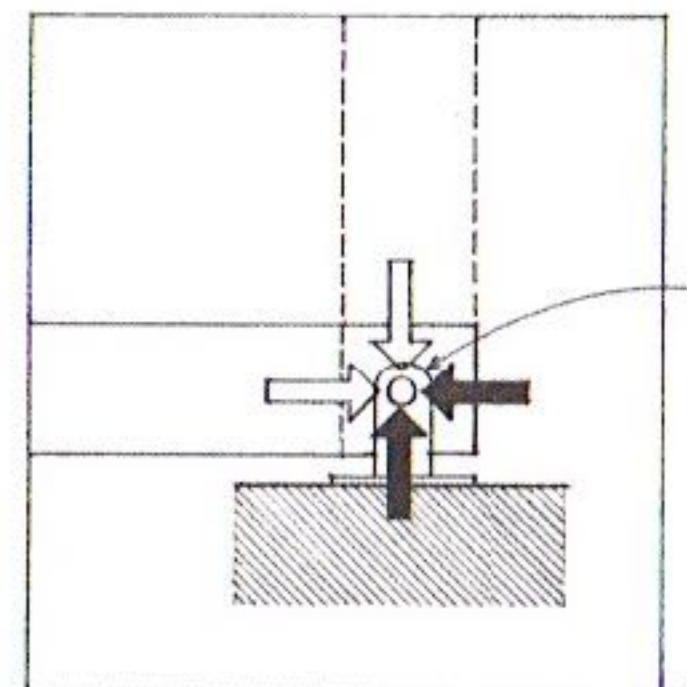
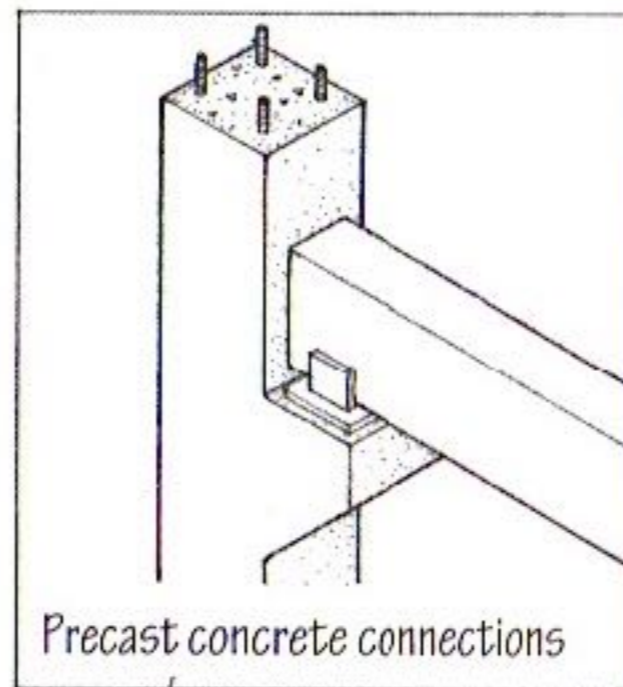
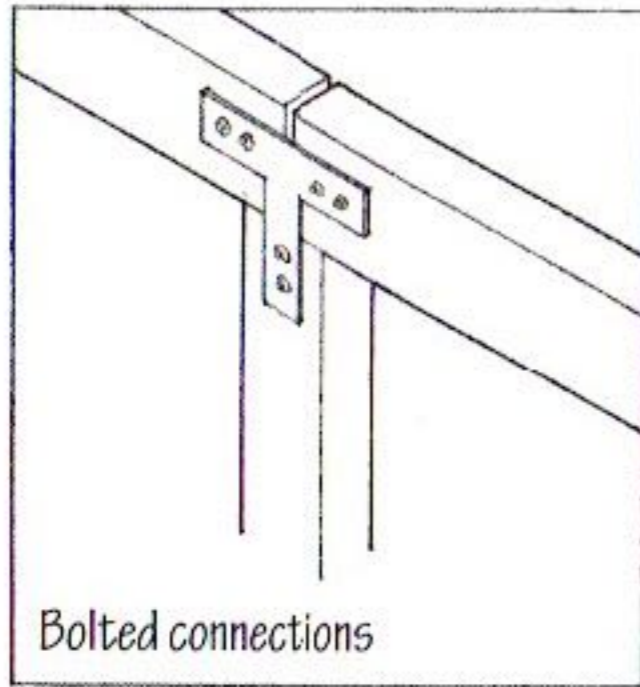


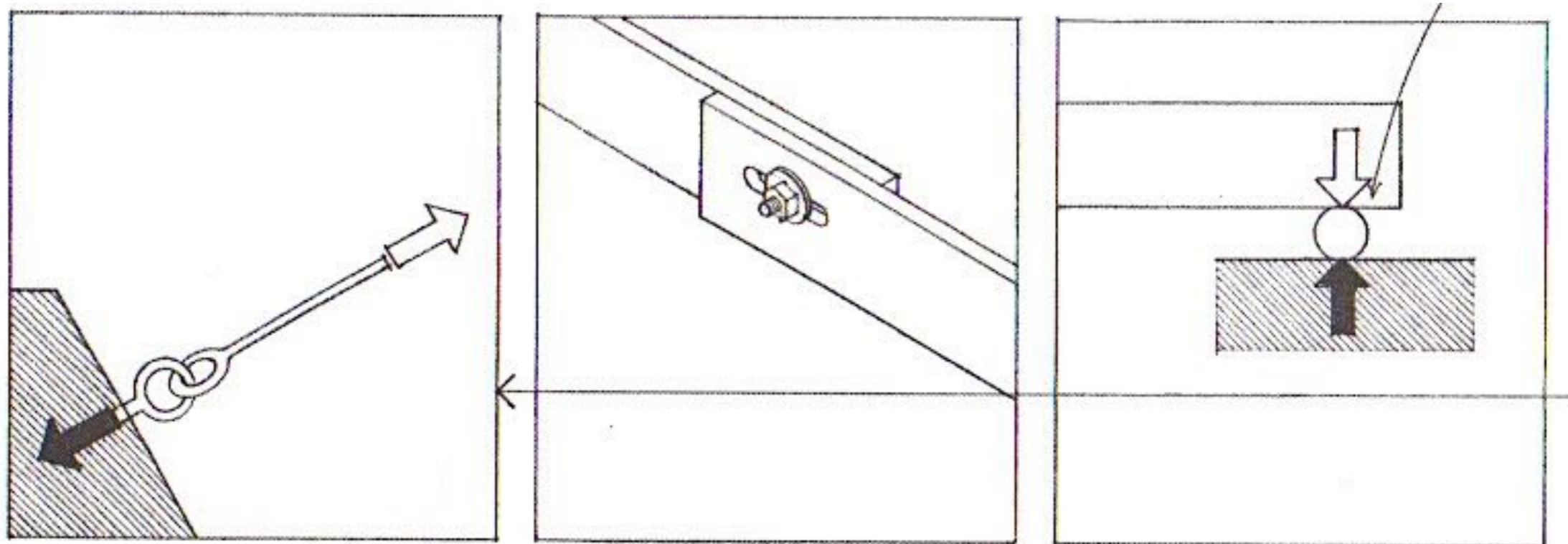












Structural Components + Forces

Illustrations from *Building Construction Illustrated*, Francis Ching

PROFESSOR MONTGOMERY