

Building Tech Notes
CH 1, 2

Sustainable Development

Resources

- Land
- Materials
- Water
- Energy
- Ecosystems

Phase

- Plan
- Design
- Maintenance

Principles

- Reduce Toxins
- Protect Earth
- Reuse
- Nature

1.08 Soils

- * Gravel
- * Sand
- * Clay

Category

- Permeability
- Drainage
- Frost Action
-

1.13

Trees

- * Provide shade
- * Wind break
- * Attenuating sound in the North sky. (provides heat, light,
- * Defining space (Trees can shape outdoor areas into space for movement or activities)

* Trees are commonly placed to improve air quality.

Sun Rays

* Sun rises in East, strongest in the South, sets in the West. Never in the North sky. (provides heat, light,

Building Tech Notes

CH 1-2

1.20 Precipitation

Flat roofs "require" interior roof drains or scuppers along perimeter. * Secondary emergency drains required.

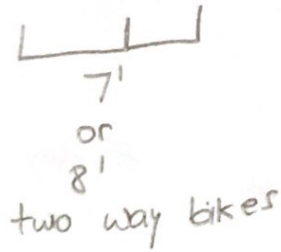
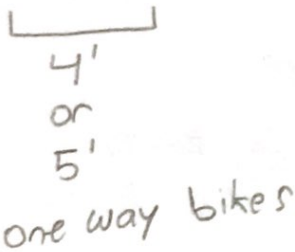
1.35

Paving Patterns (shown in diagrams)

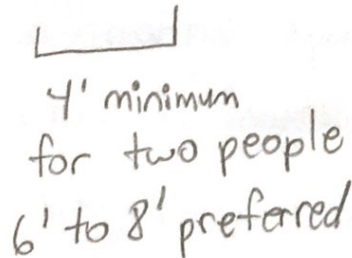
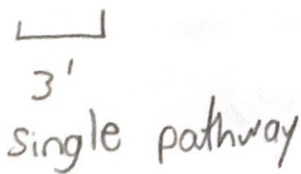
- * Flexible Base
- * Rigid

1.27

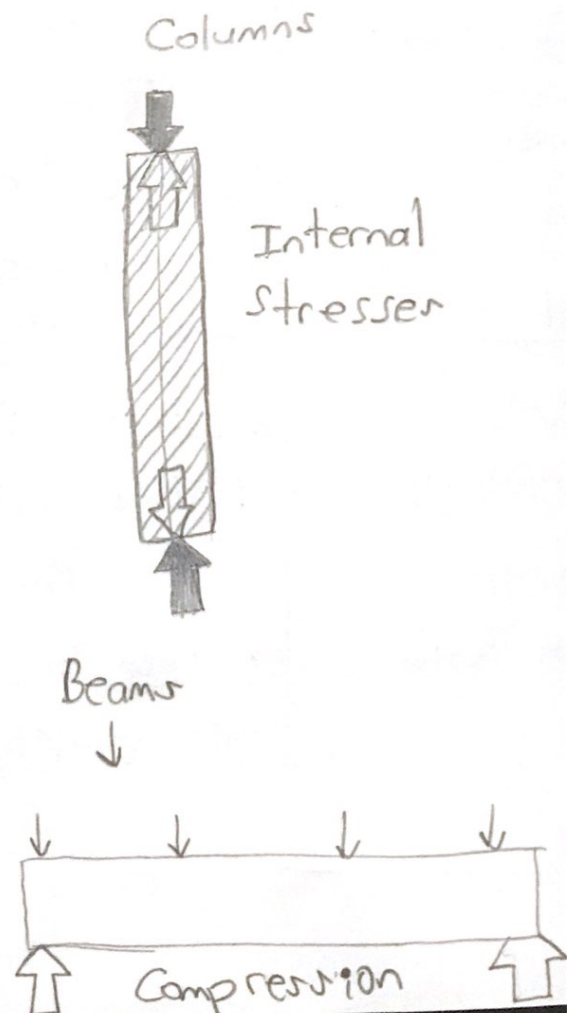
Bike Path



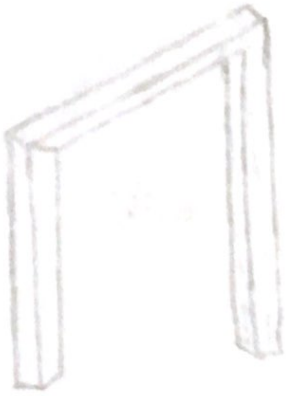
Pedestrian



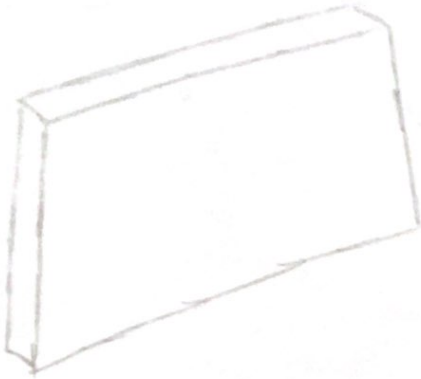
2.03 Building Systems



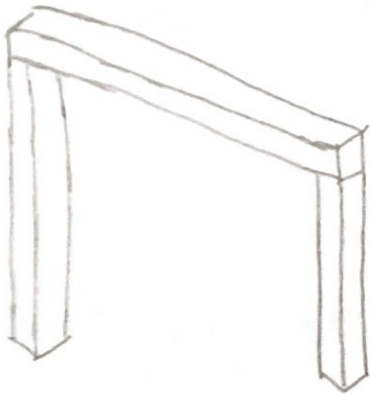
Building Tech CH 1-2



← Lateral Rigid Frame
(Reinforced concrete or steel.)



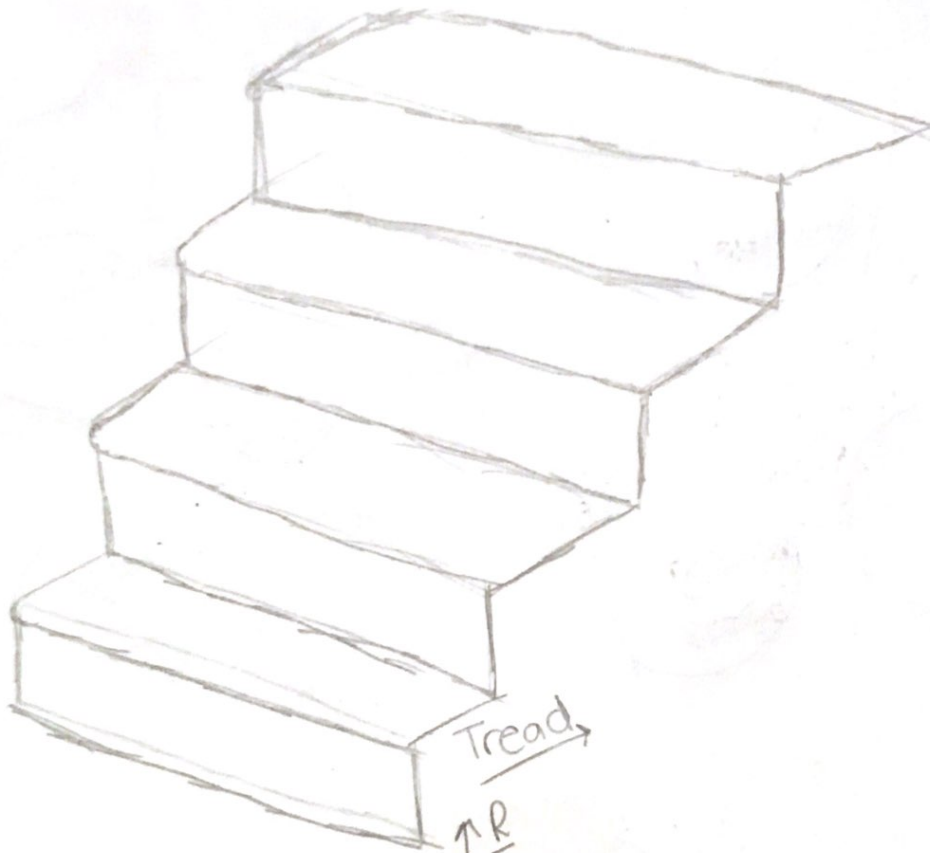
← Shear Wall
A wood or concrete, or masonry wall



← Braced Frame
Timber or steel Frame

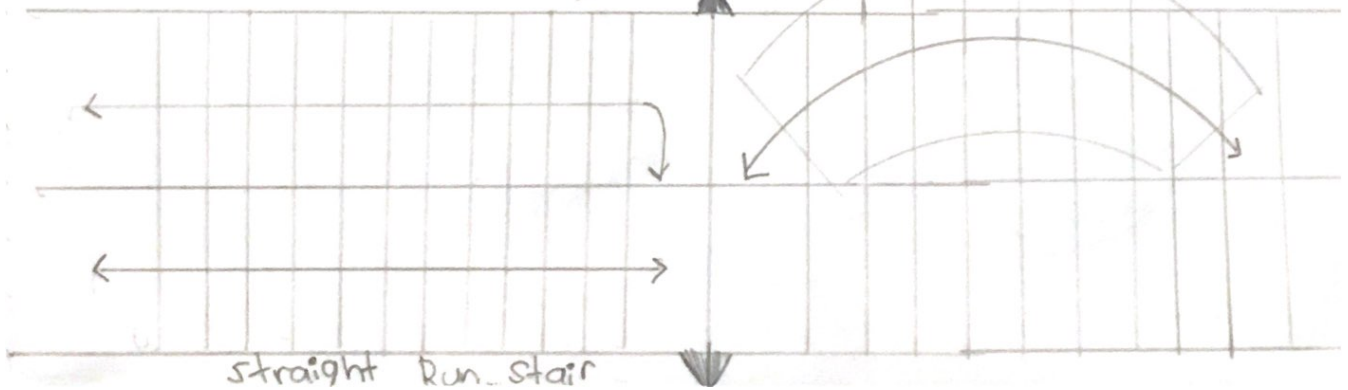
Stairs

Stairs $\frac{100}{10}$ Average Measurement



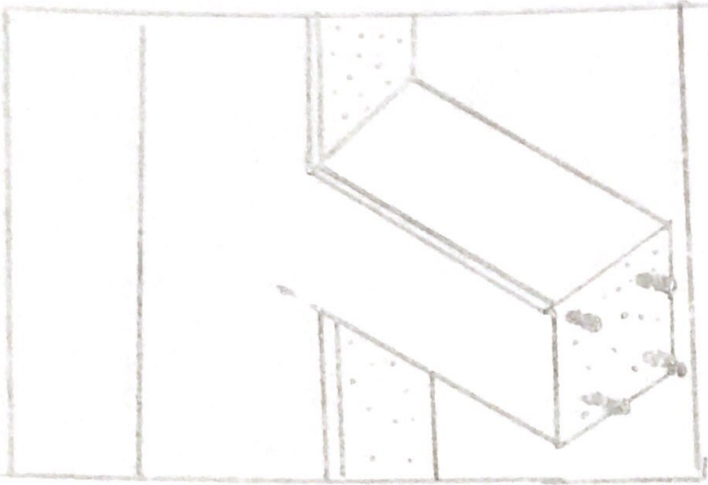
Quarter Turn Stair

Circular stair.

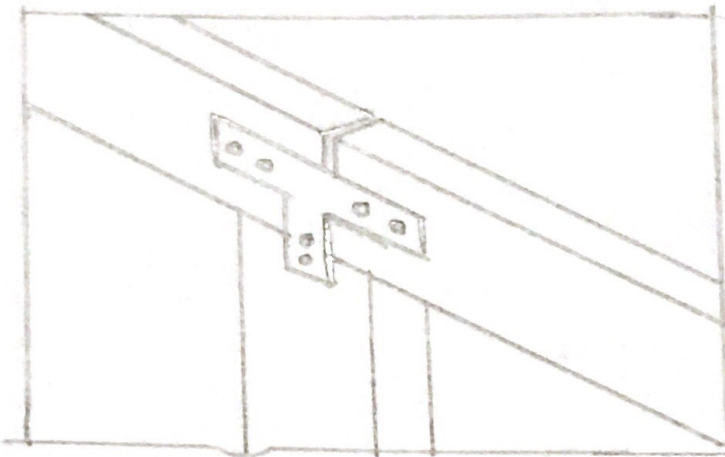




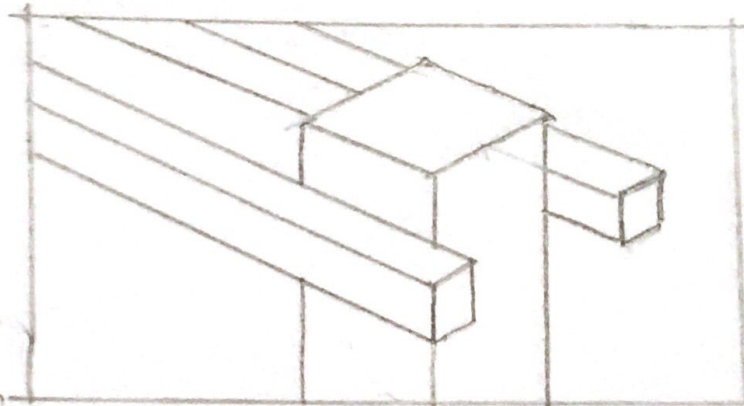
CH 1-2 NOTES



Reinforced Concrete



Bolted Connections



Point Connector Bolt