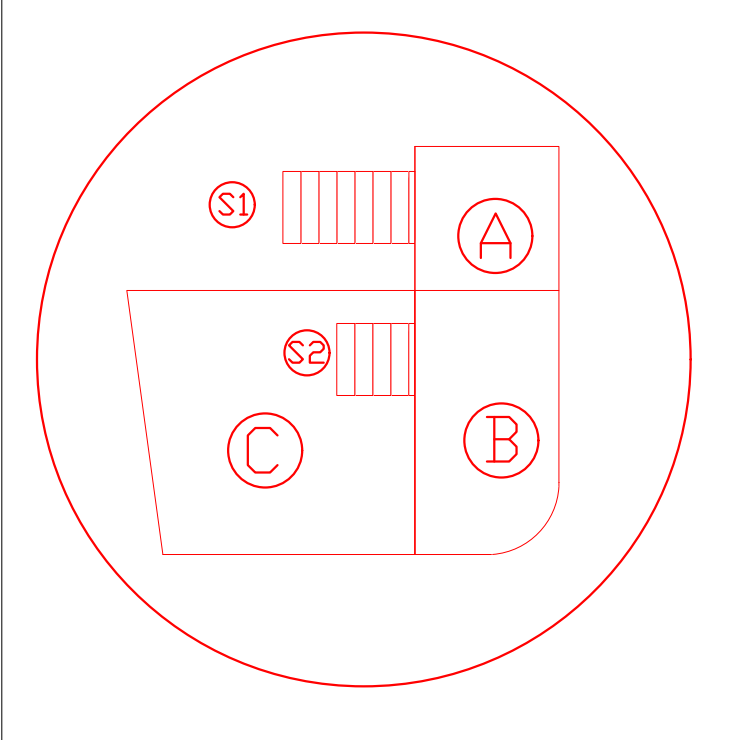


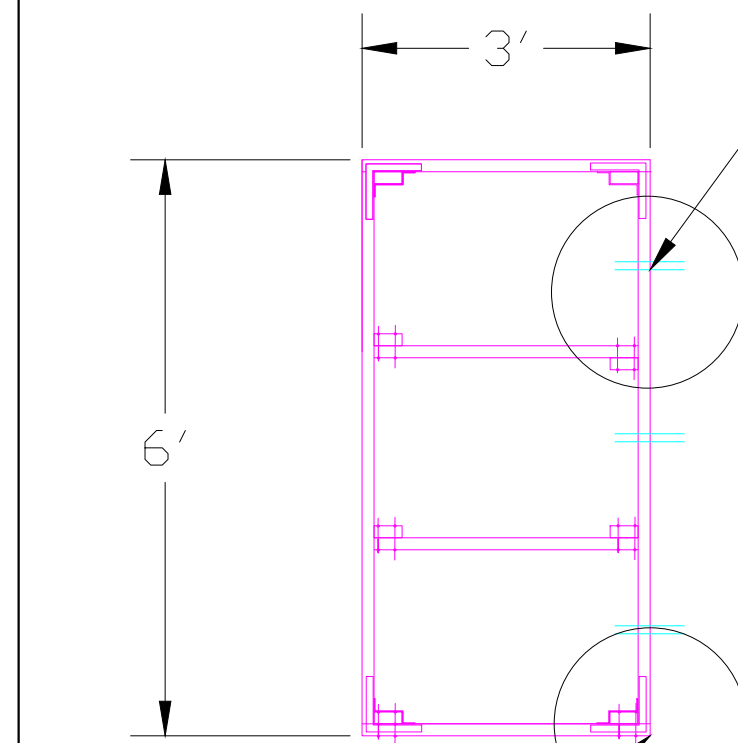
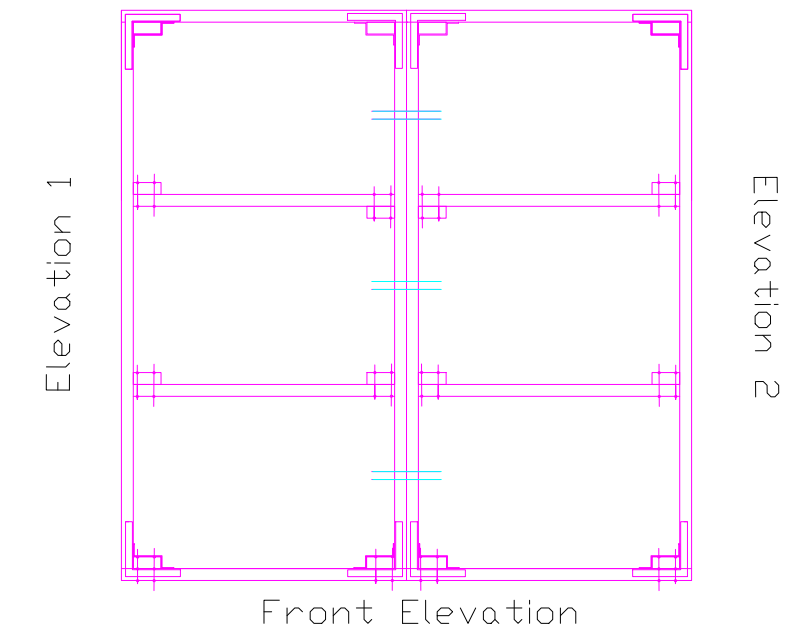
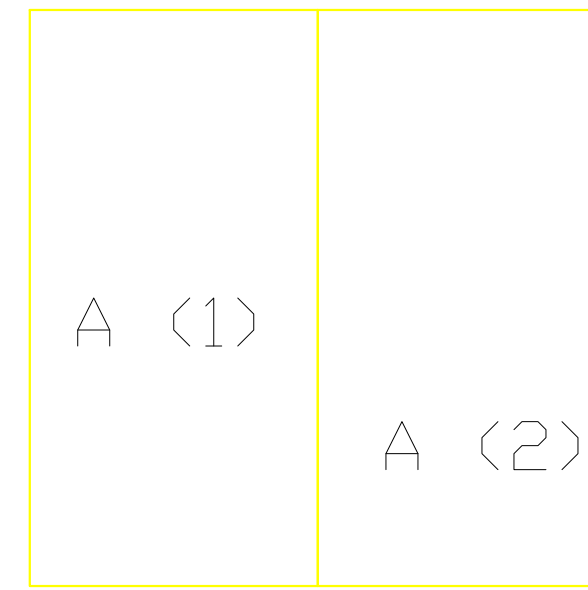
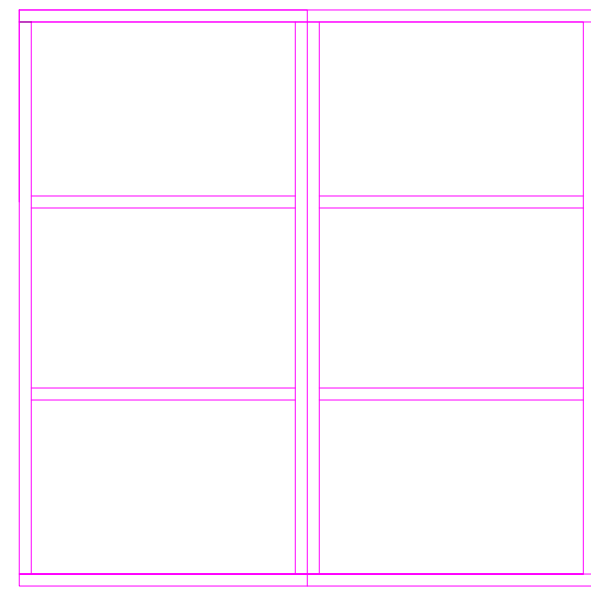
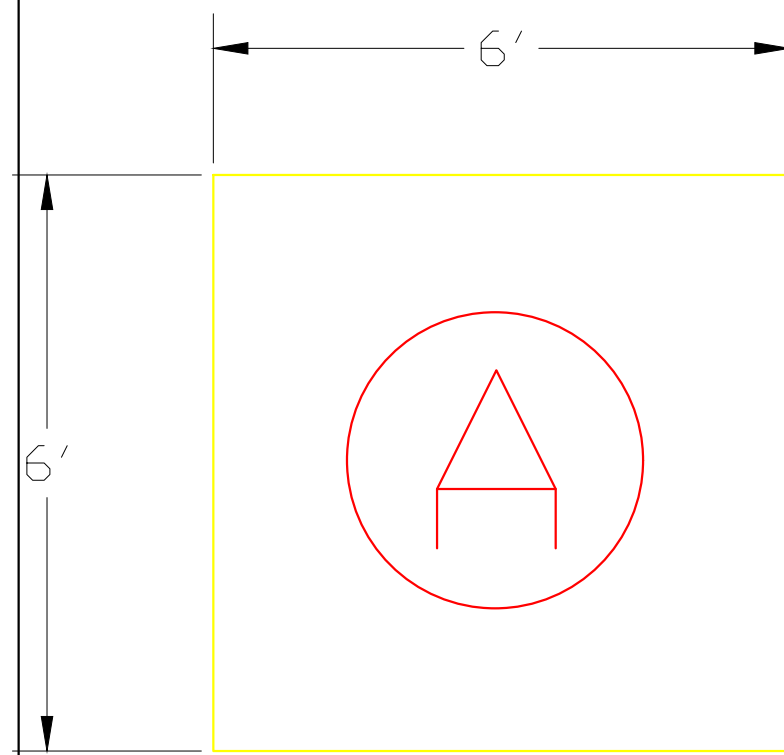
The material is Plywood 3/4 and the sheet size are 4x8



Platform Estimate

By: Massiel Gomez
Scale: 1/2" = 1'-0"

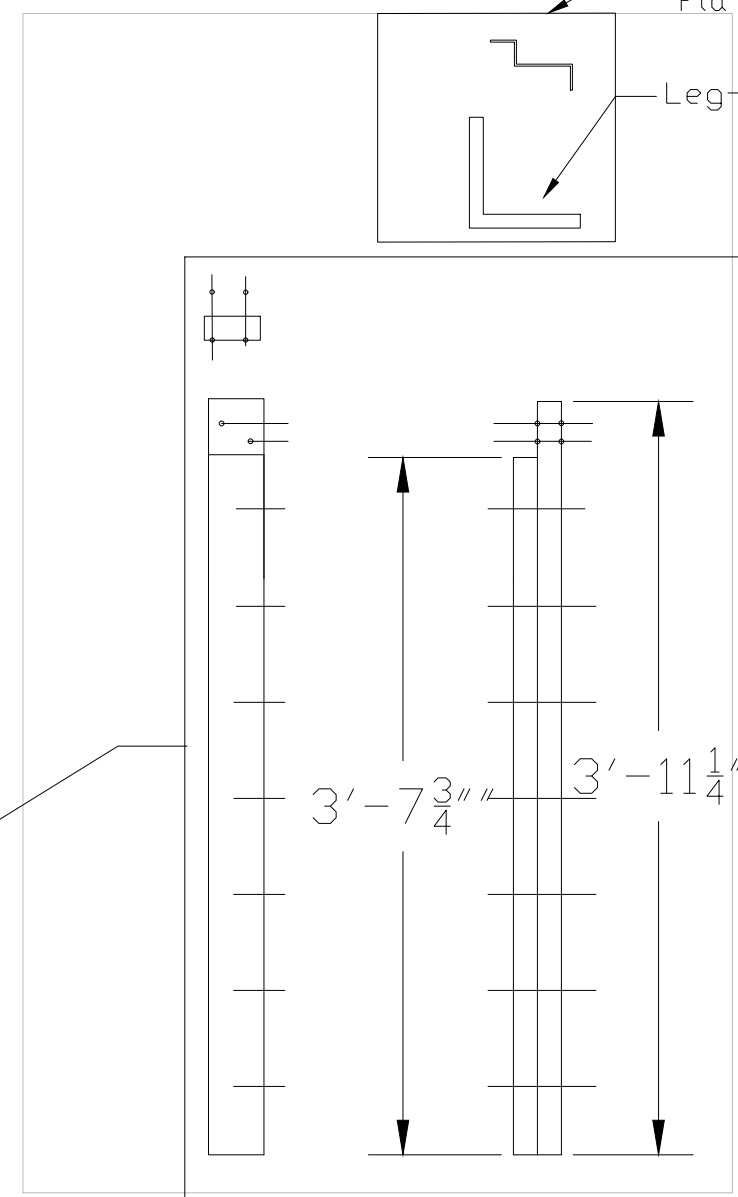
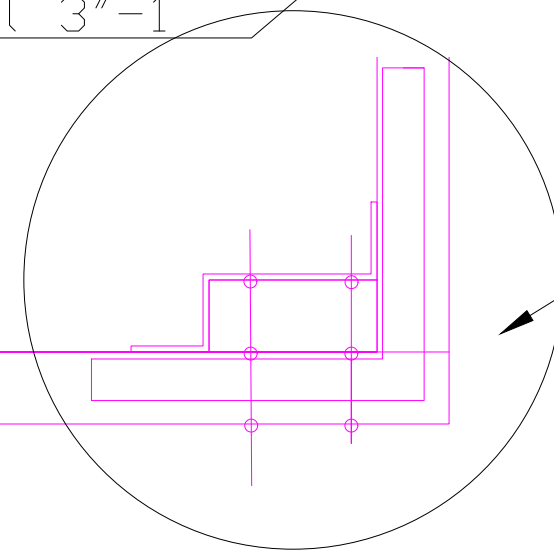
P
L
A
T
F
O
R
M
A



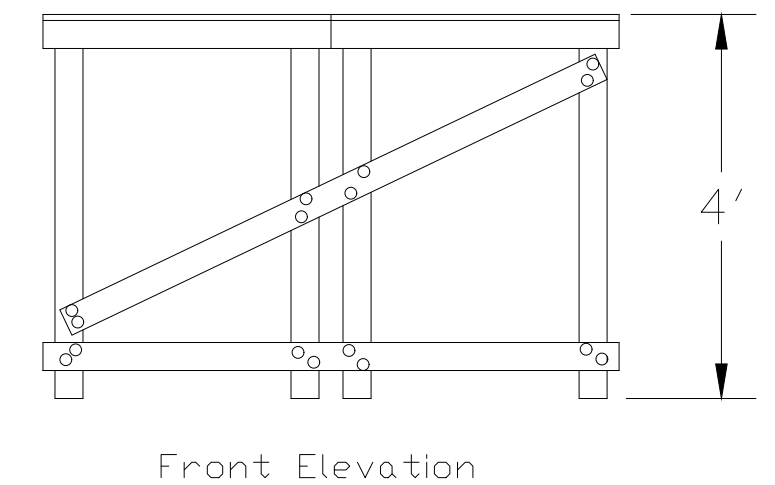
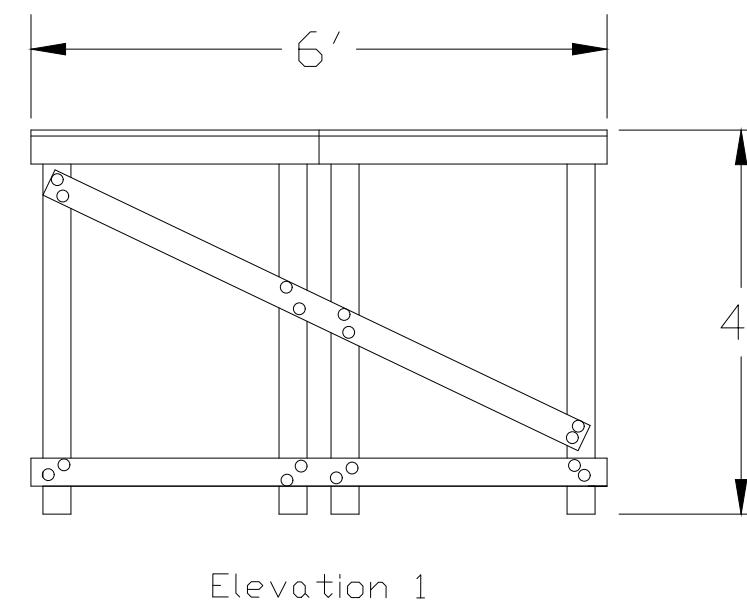
To Assemble or connect:
1 Nut, 1 Bolt and 1 Washers

2-1/2 in. Zinc-Plated
Flat Corner Brace (4-Pack)
Leg-a-Matic™ Corner Bracket

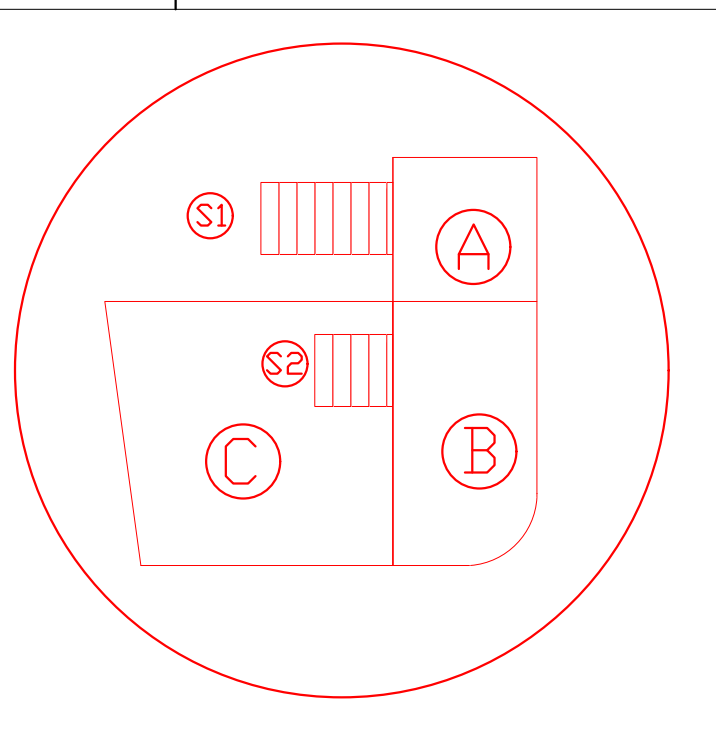
Detail 3"-1



Leg detail 1"=1'-0"
7 Staples
2 Nuts, 2 Bolts and 2 Washers



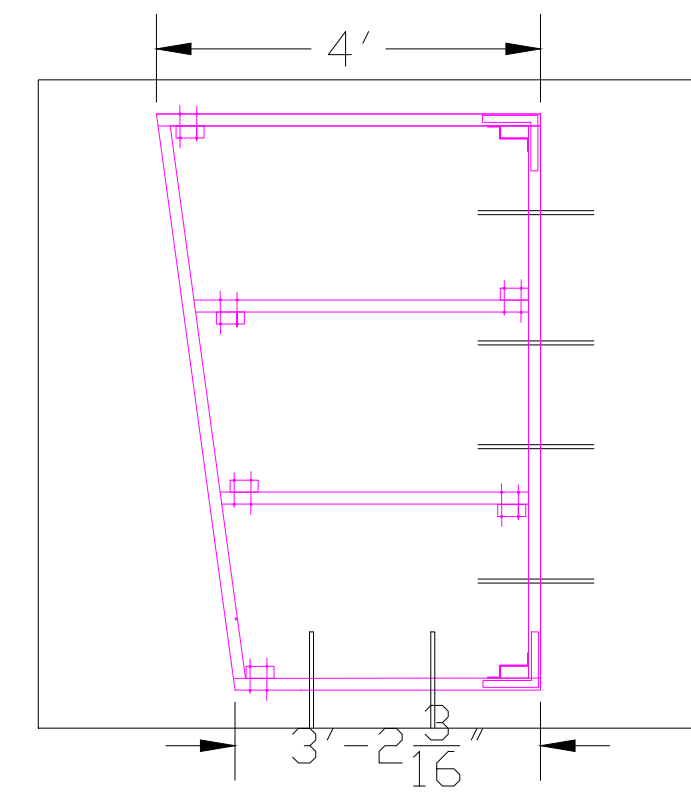
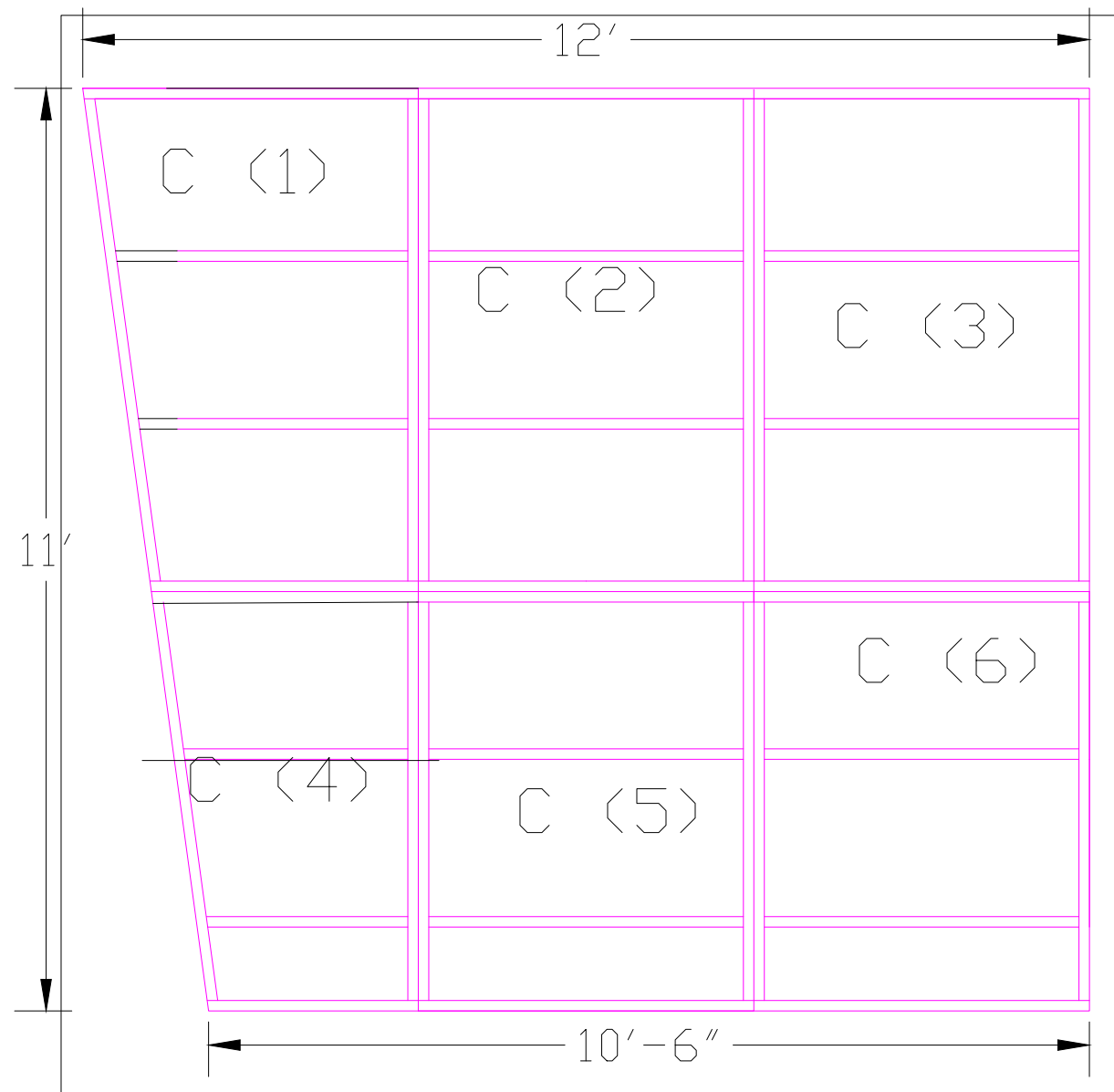
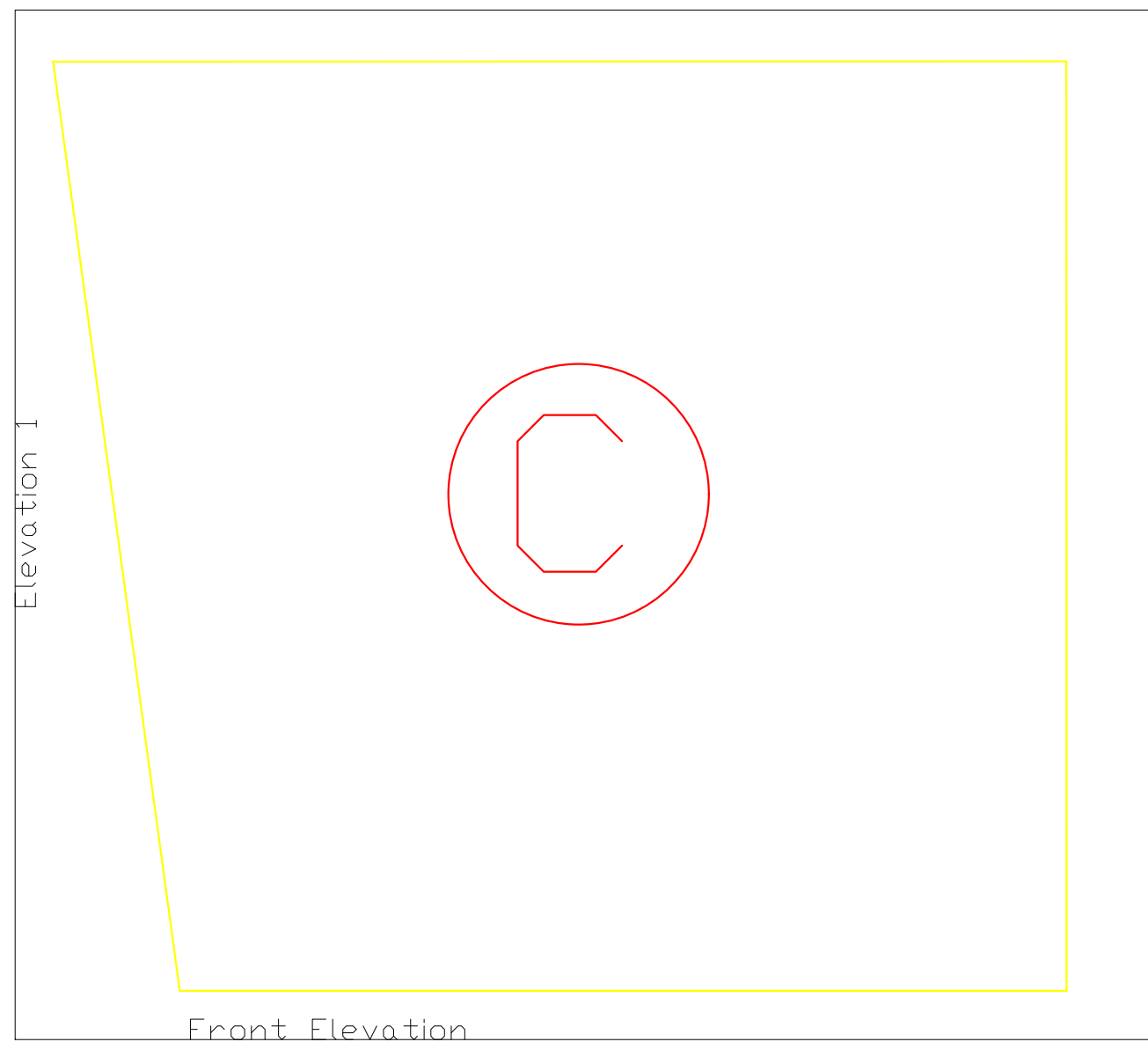
The frames are 2x4 pine and the covers are plywood A/C 3/4



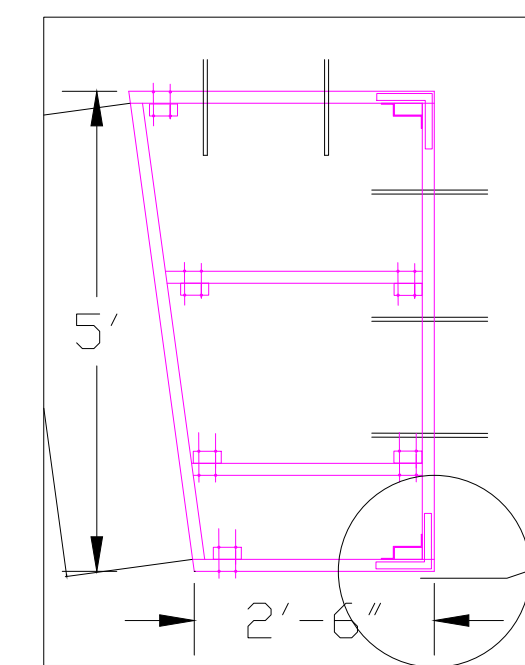
Platform Estimate

By: Massiel Gomez
Scale: 1/2" = 1'-0"

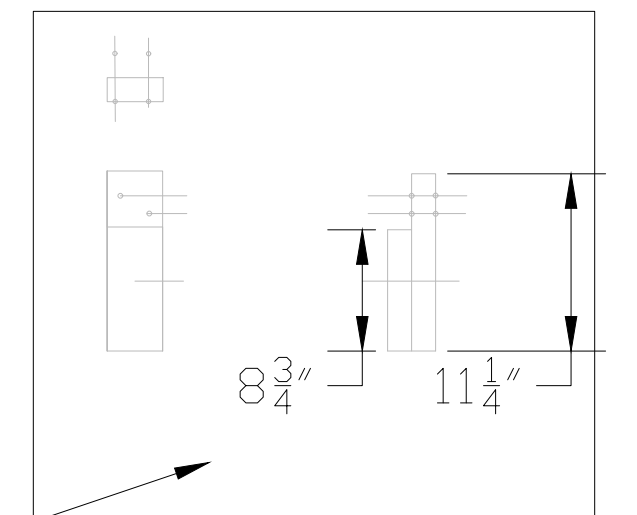
1



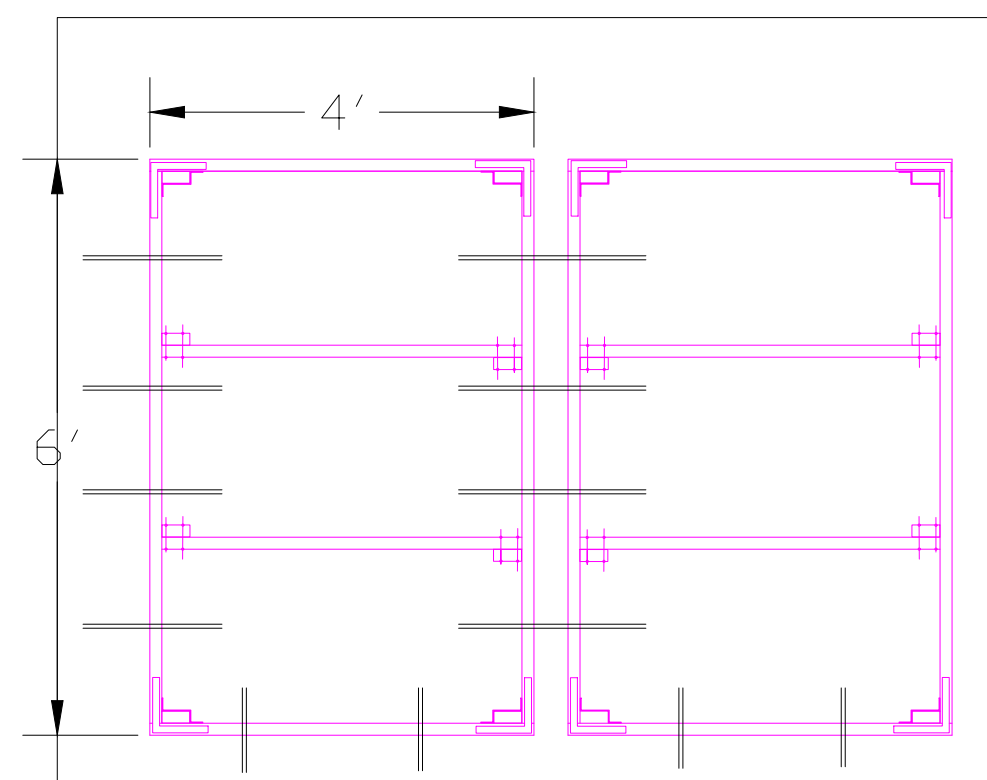
Platform C1



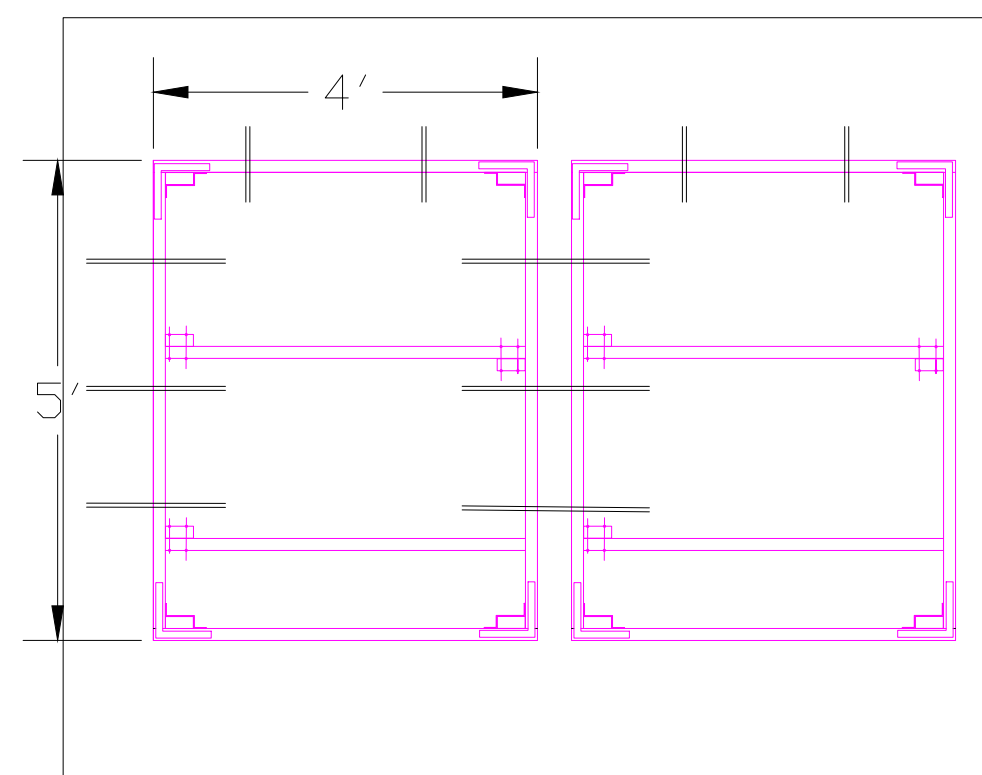
Platform C4



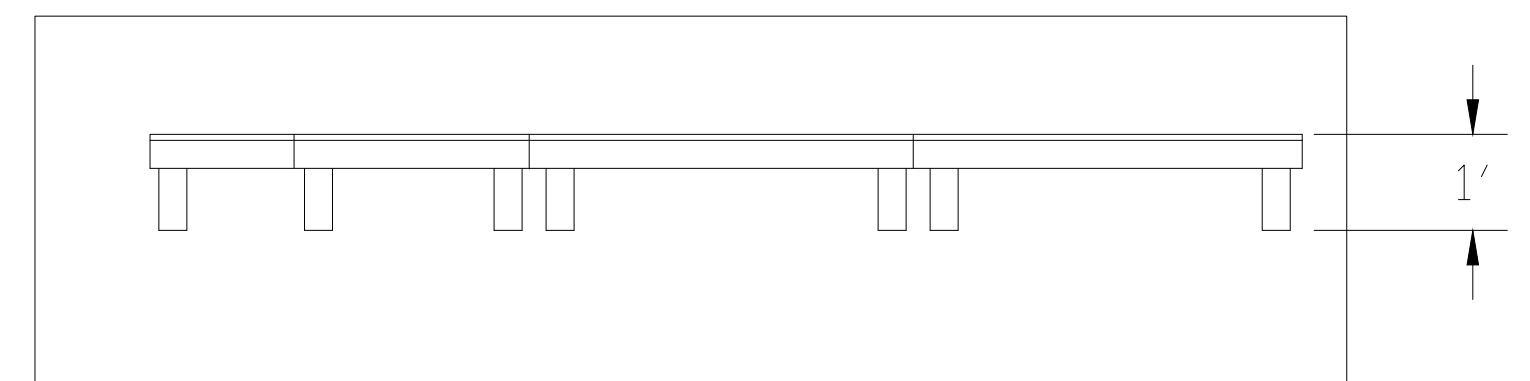
Leg detail 1"=1'-0"



Platform C(2-3)

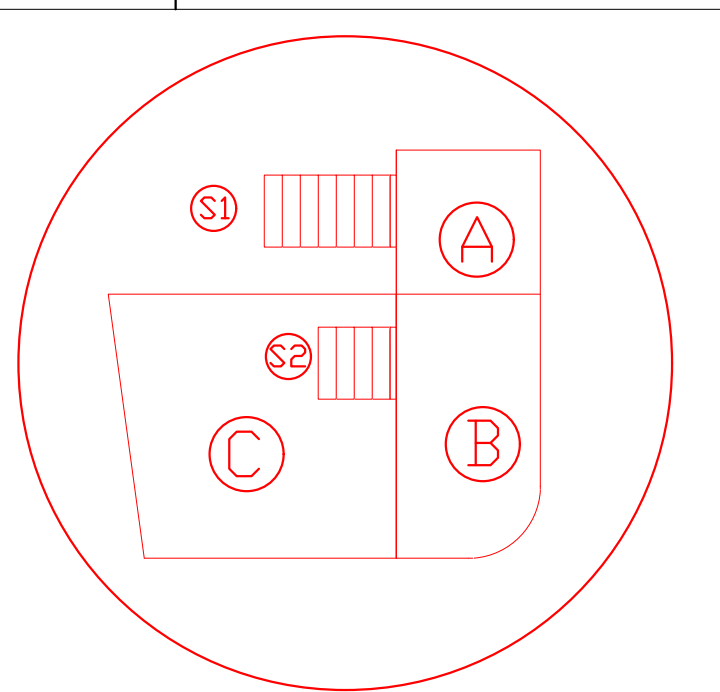


Platform C(5-6)



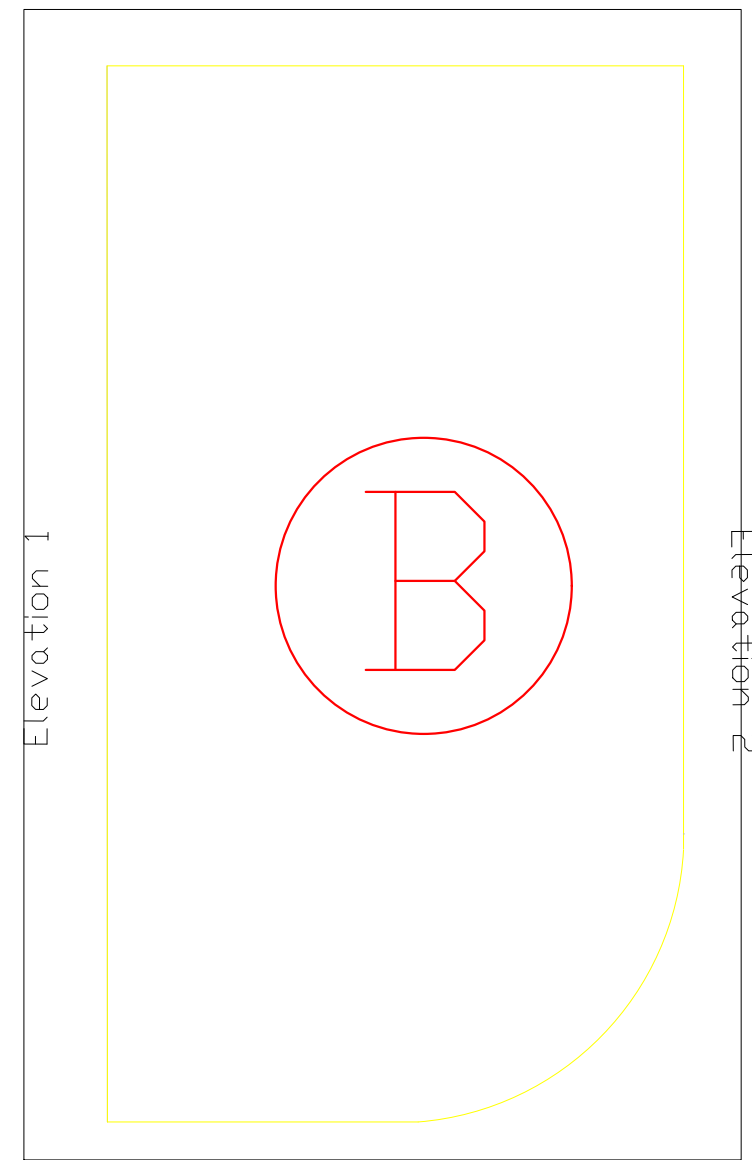
Front Elevation view 1/2"=1'-0"

The frames are 2x4 pine and the covers are plywood A/C 3/4

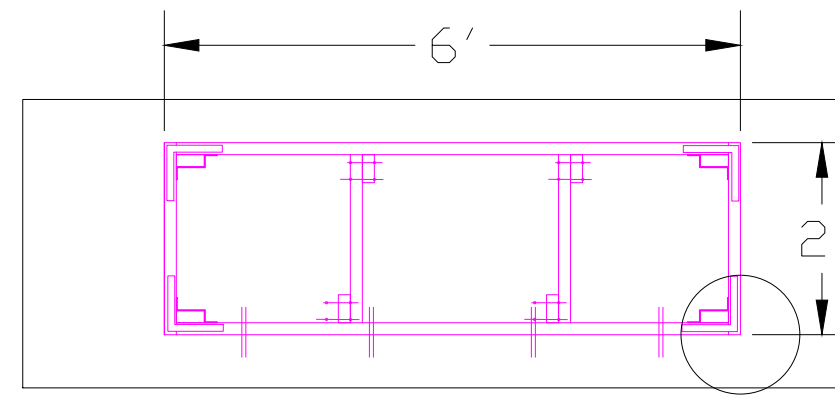
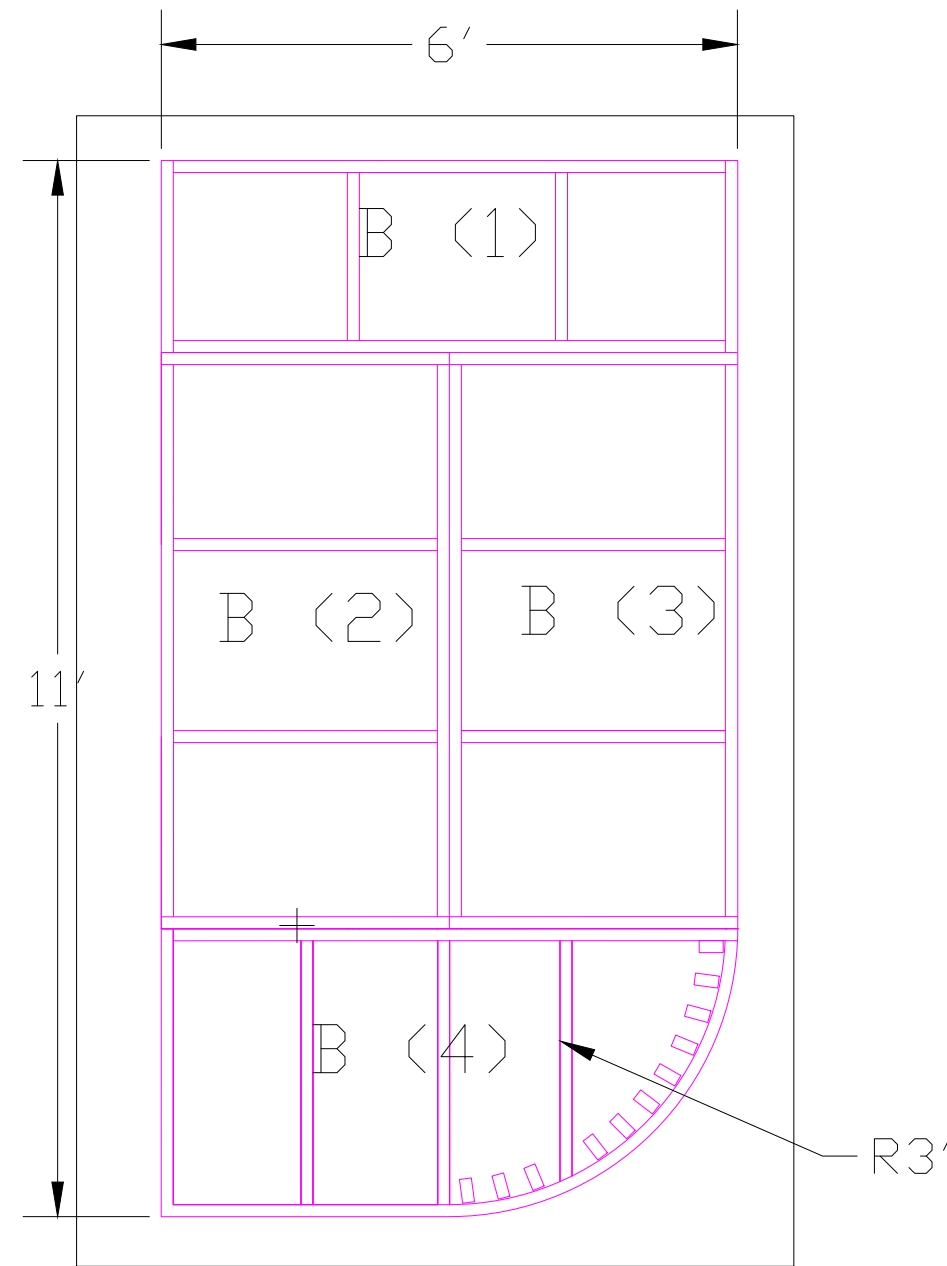


Platform Estimate

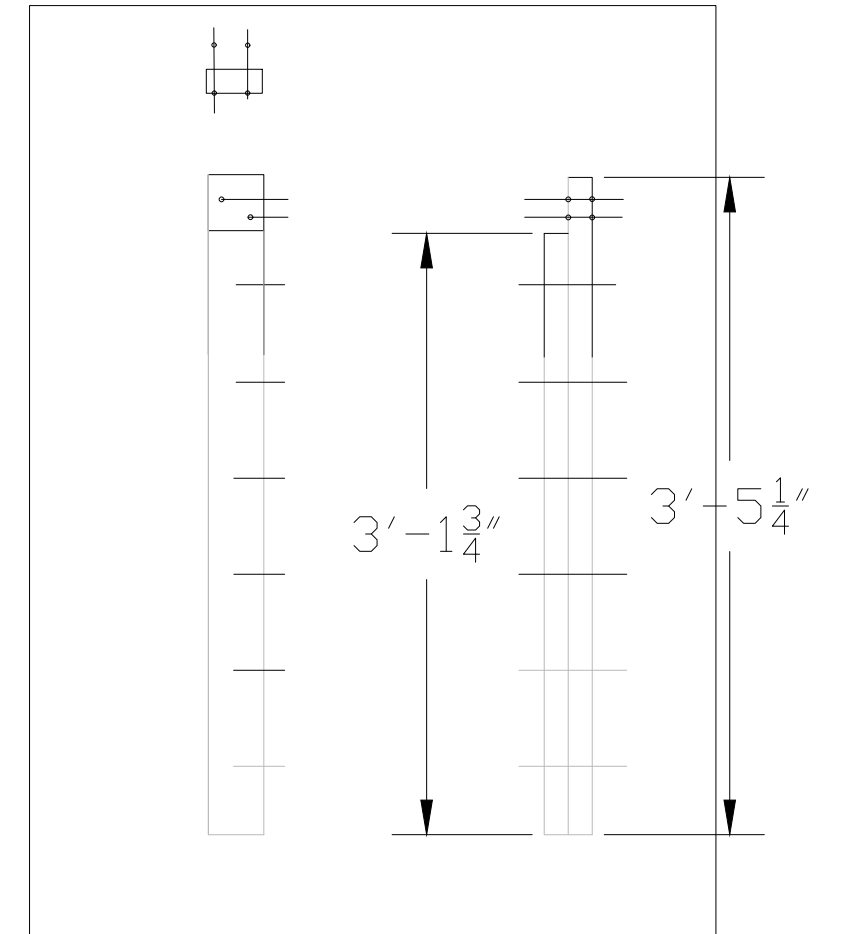
By: Massiel Gomez
Scale: 1/2" = 1'-0"



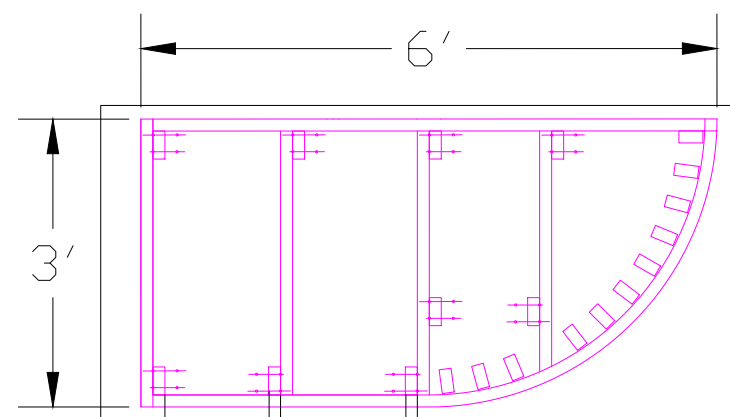
Front Elevation



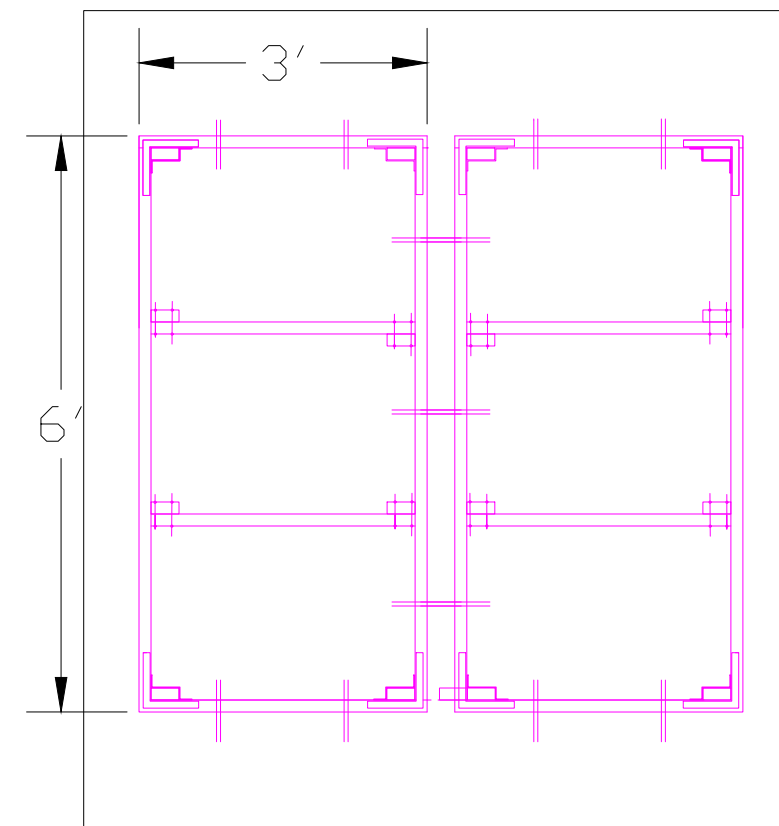
Platform B1



Leg detail 1"=1'-0"

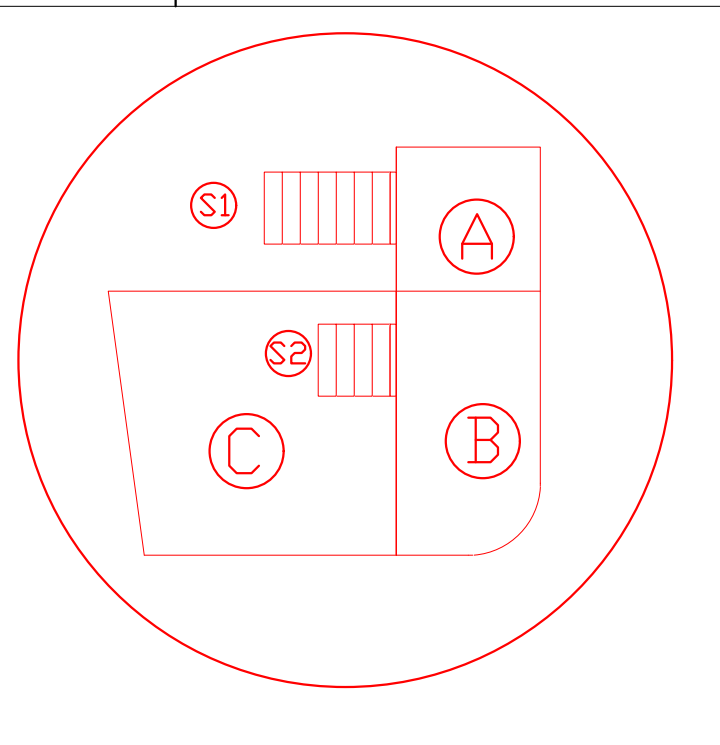


Platform B4



Platform B(2-3)

The frames are 2x4 pine and the covers are 3/4 plywood A/C



Platform Estimate

By: Massiel Gomez
Scale: 1/2" = 1'-0"