

LIMESTONE COPING

10 11/16"

WATERPROOF
MEMBRANE

2'-0"

LIMESTONE PANEL
3' WIDE X 2'

STAINLESS ANCHOR
PROVIDE SIGNED AND SEALED
SHOP DRAWINGS FOR
LIMESTONE AND ANCHORAGE

STAINLESS STEEL FLASHING

WEEP HOLE

12

1'-0 7/16"

1/4"

MTL STUD

BATT INSULATION

SUSPENDED CEILING

GYP. BOARD

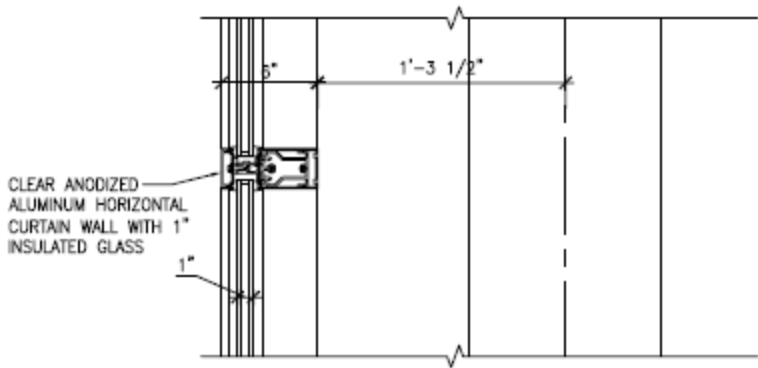
COL. BEYOND

5"

1'-3 1/2"

9 WALL SECTION DETAIL

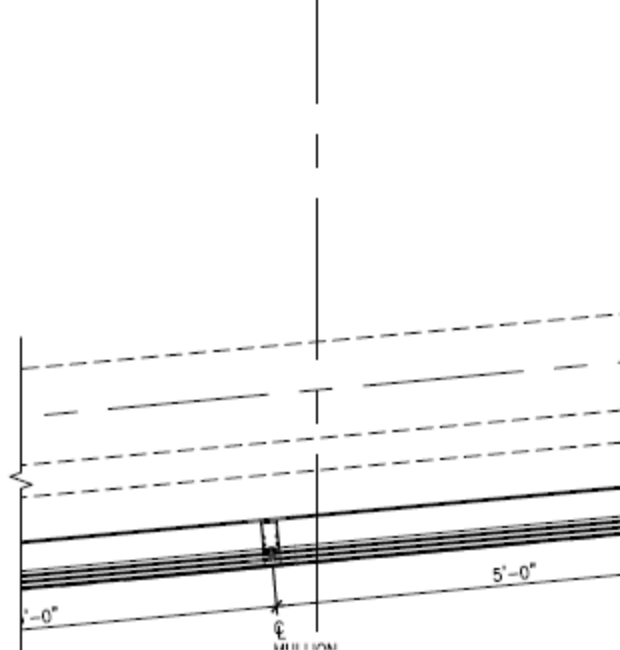
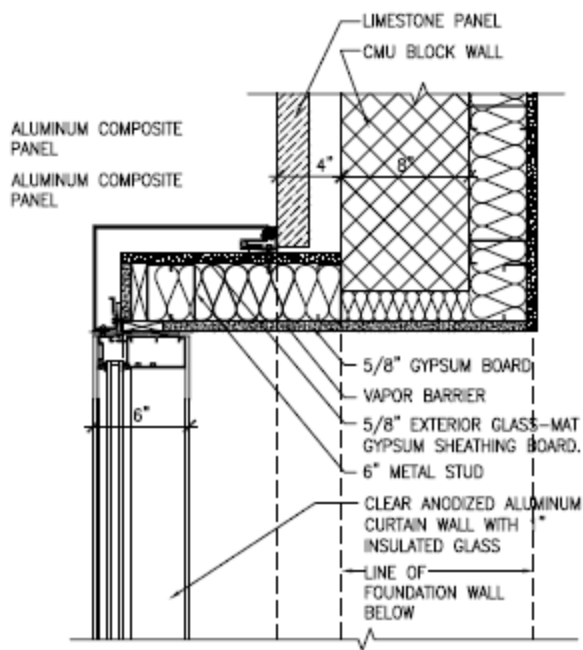
Scale: 1 1/2"=1'-0"



10

WALL SECTION DETAIL

Scale: 1 1/2"=1'-0"

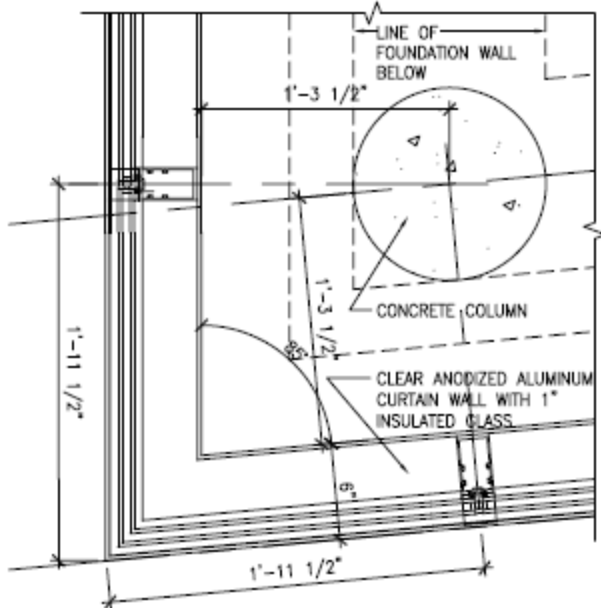


7 PLAN DETAIL (INSIDE CORNER @ LIMESTONE)

Scale: 1 1/2"=1'-0"

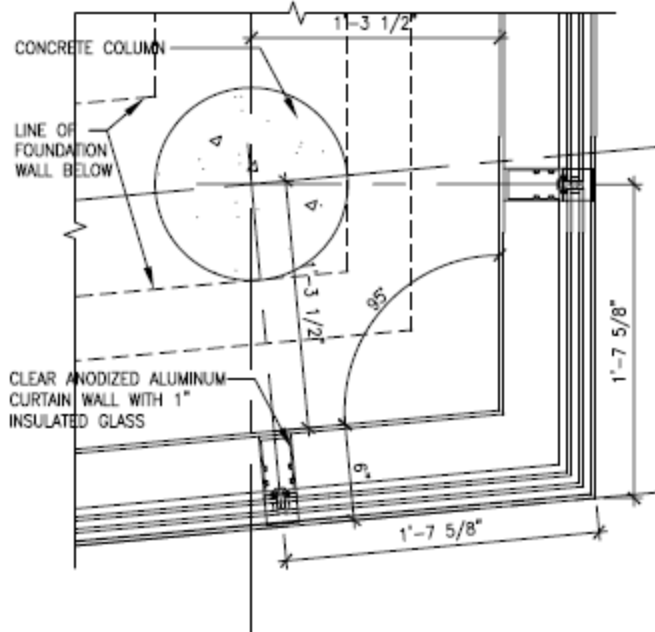
2 PARTIAL PLAN @ CURTAIN WALL (TY

Scale: 3/4"=1'-0"



8 PLAN DETAIL (OUTSIDE CORNER)

Scale: 1 1/2"=1'-0"



5 PLAN DETAIL (OUTSIDE CORNER)

Scale: 1 1/2"=1'-0"