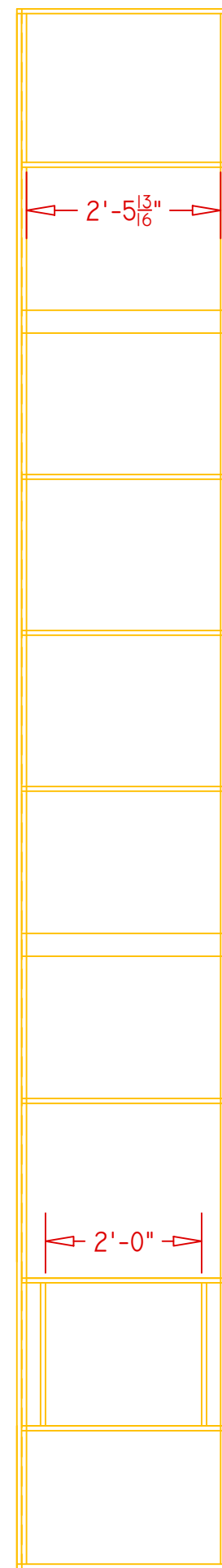
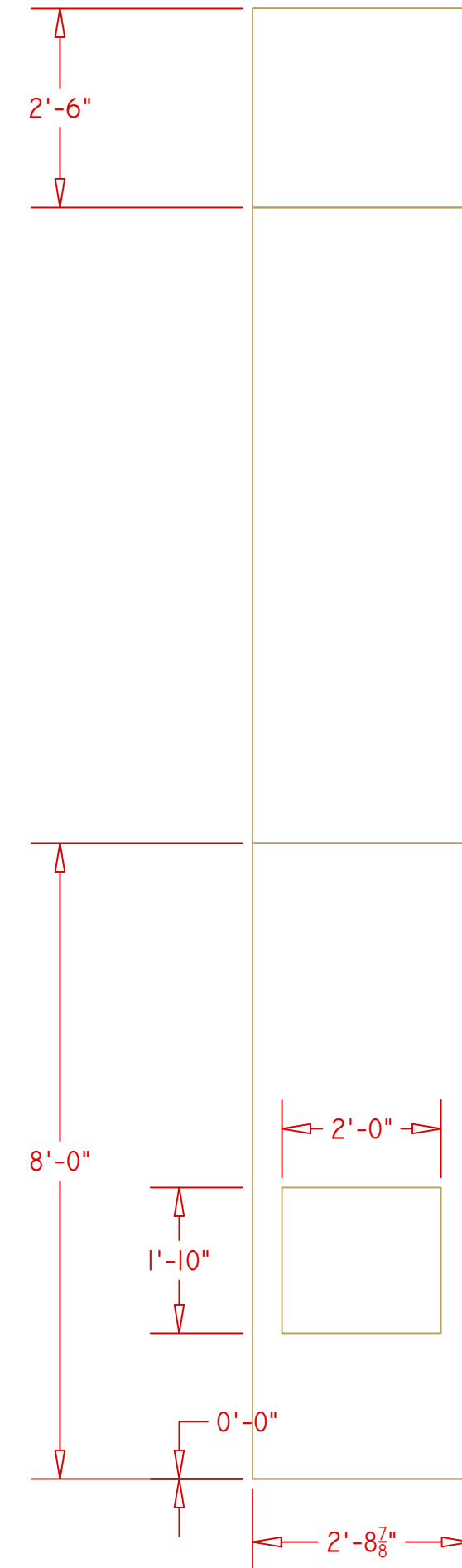


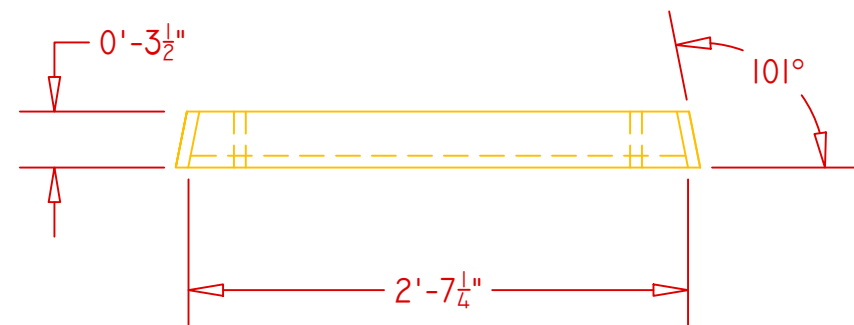
2-A Column Flat Front Elevation
1/2"=1'-0"



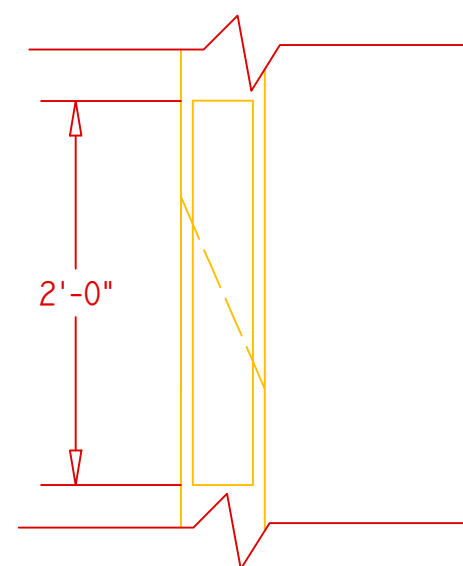
2-B Column Flat Rear Elevation
1/2"=1'-0"



2-C Column Flat Paint Surface
1/2"=1'-0"



2-D Column Flat Top Elevation
1"=1'-0"



2-E Scarf Joint
1"=1'-0"

NOTES:
 -1x4 CONSTRUCTION, 1x6 FOR STILES.
 -TOGGLES FOR LAUAN SEAMS ARE ON FACE
 -HOLE CENTERED ON FLAT
 -TOGGLES 2' ON CENTER UNLESS SPECIFIED.
 -SCARF JOINTS MUST BE ON OPPOSITE SIDES OF THE FLAT.
 -STAPLED AND WOOD GLUED TOGETHER.
 -FLATS AND CHUTES SCREWED TOGETHER.

NYC COLLEGE OF TECHNOLOGY	
SUPERTERRANEAN	
COLUMN FLATS	PLATE No.
DESIGNER: MIMI LIEN	2
DRAFTER: KENET MEJIA	
SCALE: AS NOTED	OF: 1
DATE: 4/10/2019	