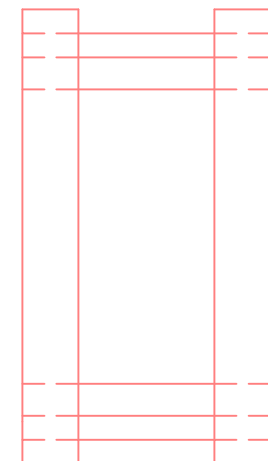
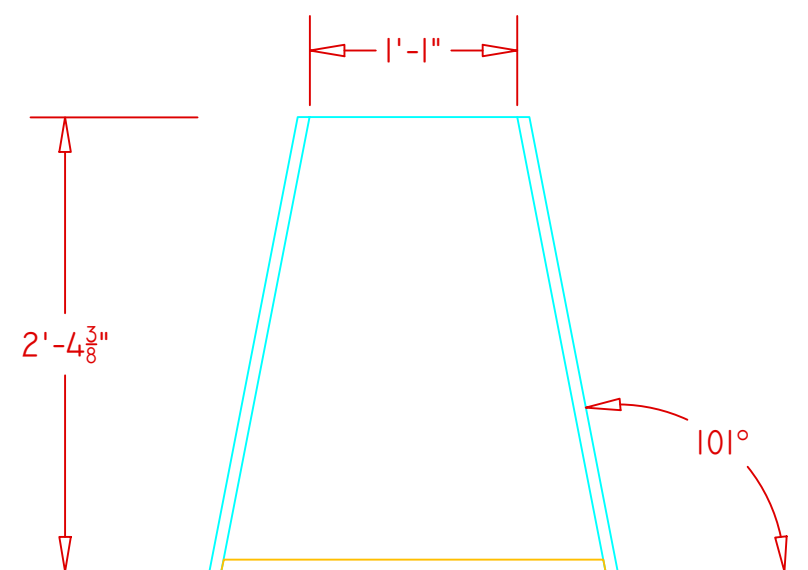


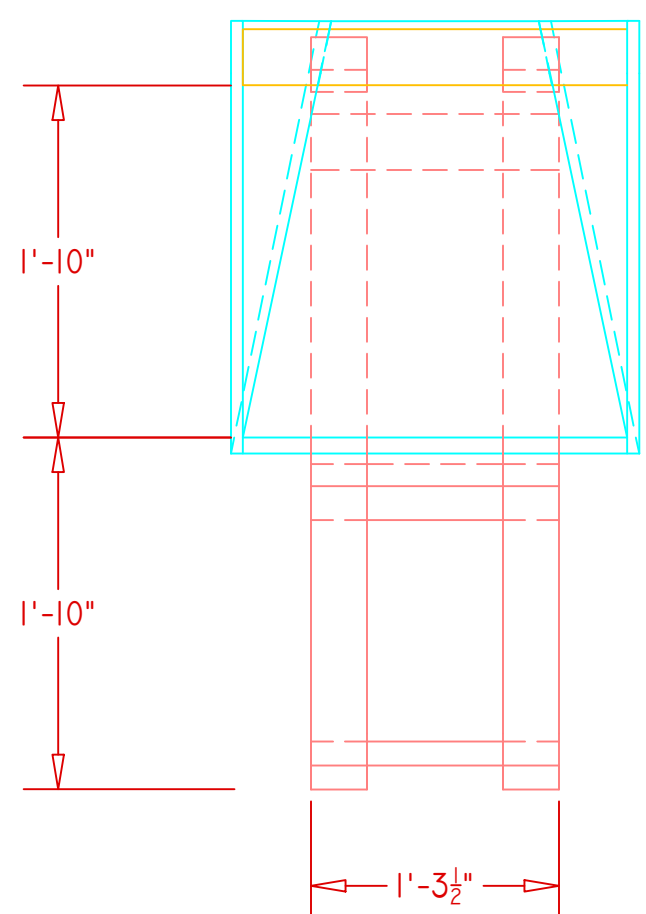
1-A Chute Top Elevation  
1"=1'-0"



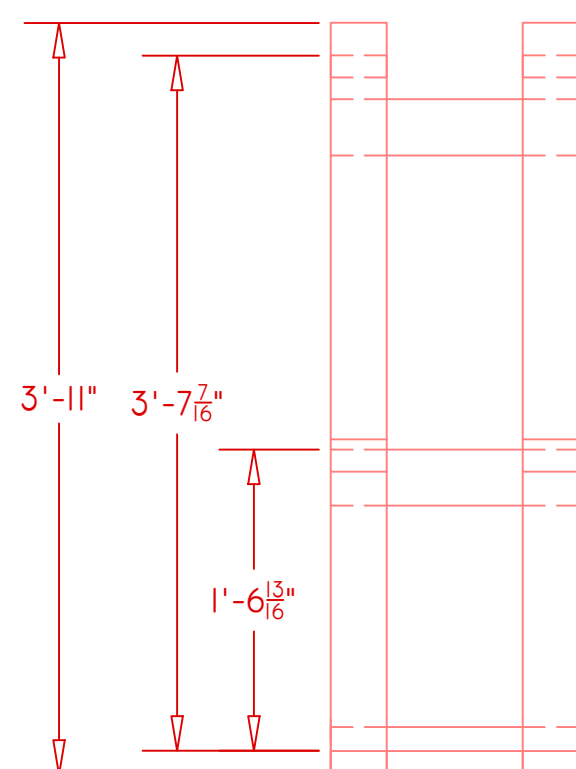
1-D Chute Legs Top Elevation  
1"=1'-0"



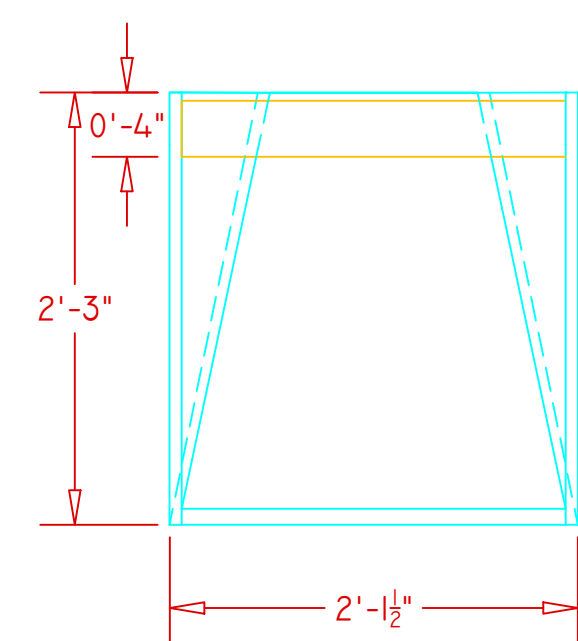
1-G Chute Slide Top Elevation  
1"=1'-0"



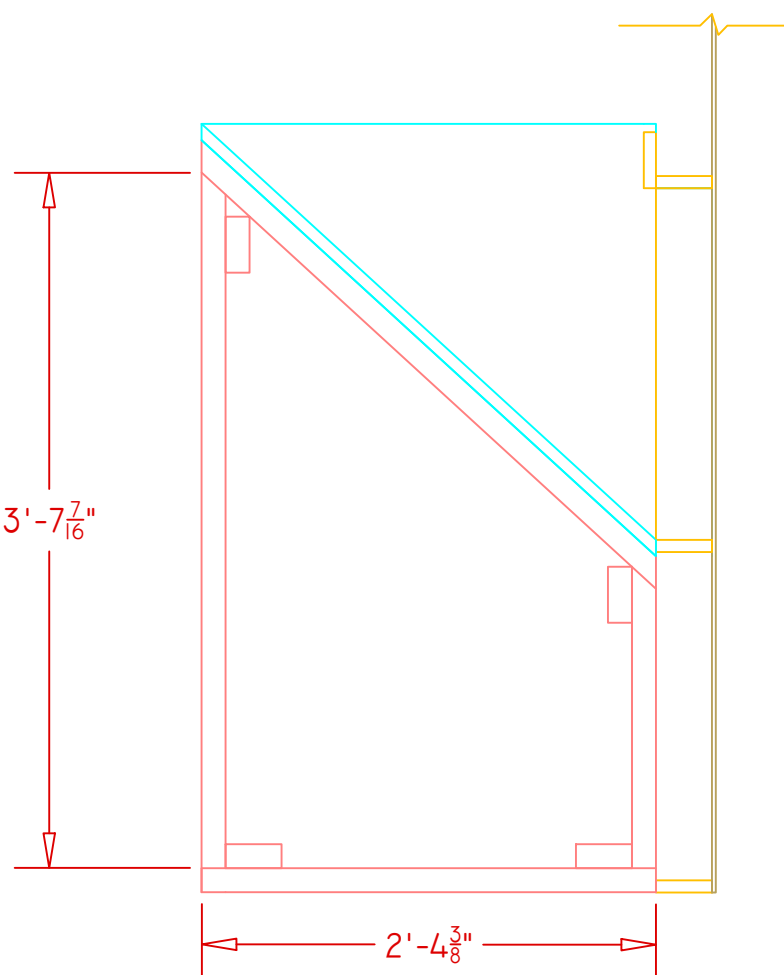
1-B Chute Front Elevation  
1"=1'-0"



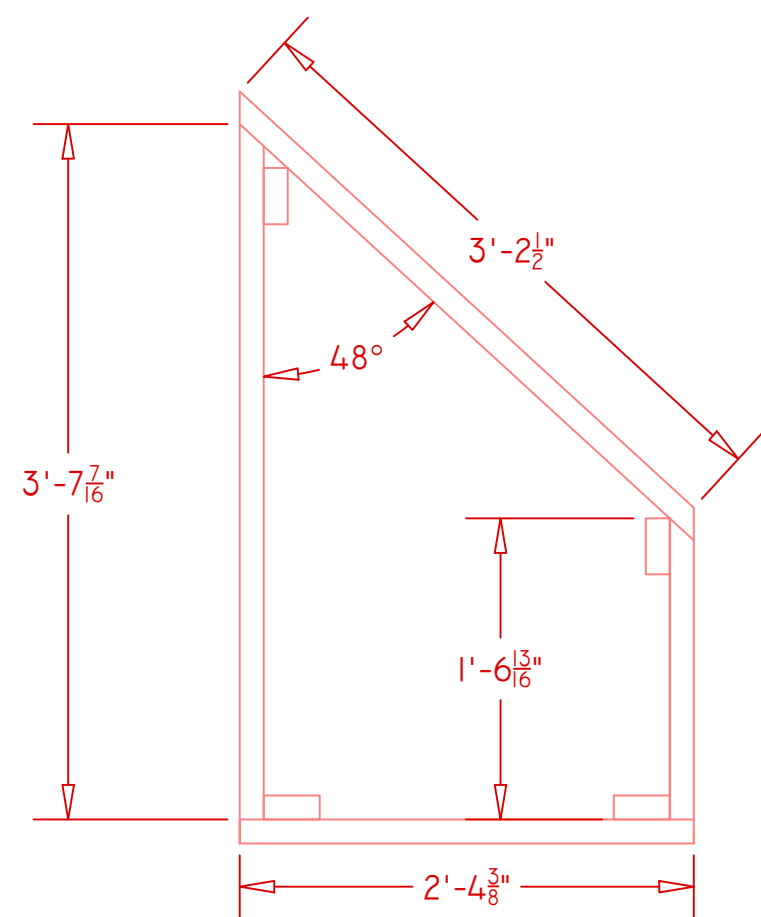
1-E Chute Legs Front Elevation  
1"=1'-0"



1-H Chute Slide Front Elevation  
1"=1'-0"



1-C Chute Side Elevation  
1"=1'-0"



1-F Leg Side Elevation  
1"=1'-0"

**NOTES:**  
 -2x4 CONSTRUCTION. MEDIUM DENSITY OVERLAY FOR SLIDE.  
 -1x4 FOR SLIDE BRACE, CUT 2x4 DOWN TO 1x4 IF NECESSARY.  
 -DRY WALL SCREWED TOGETHER, BOLTS PREFERRED FOR CHUTE TO FLAT CONNECTION.  
 -CHUTE SLIDE ALIGNS WITH HOLE IN LAUAN SHEET (SEE PLATE 2).

NYC COLLEGE OF TECHNOLOGY	
SUPERTERRANEAN	
COLUMN CHUTE	PLATE No.
DESIGNER: MIMI LIEN	1
DRAFTER: KENET MEJIA	
SCALE: 1"=1'-0"	
DATE: 4/10/2019	
	OF: 1