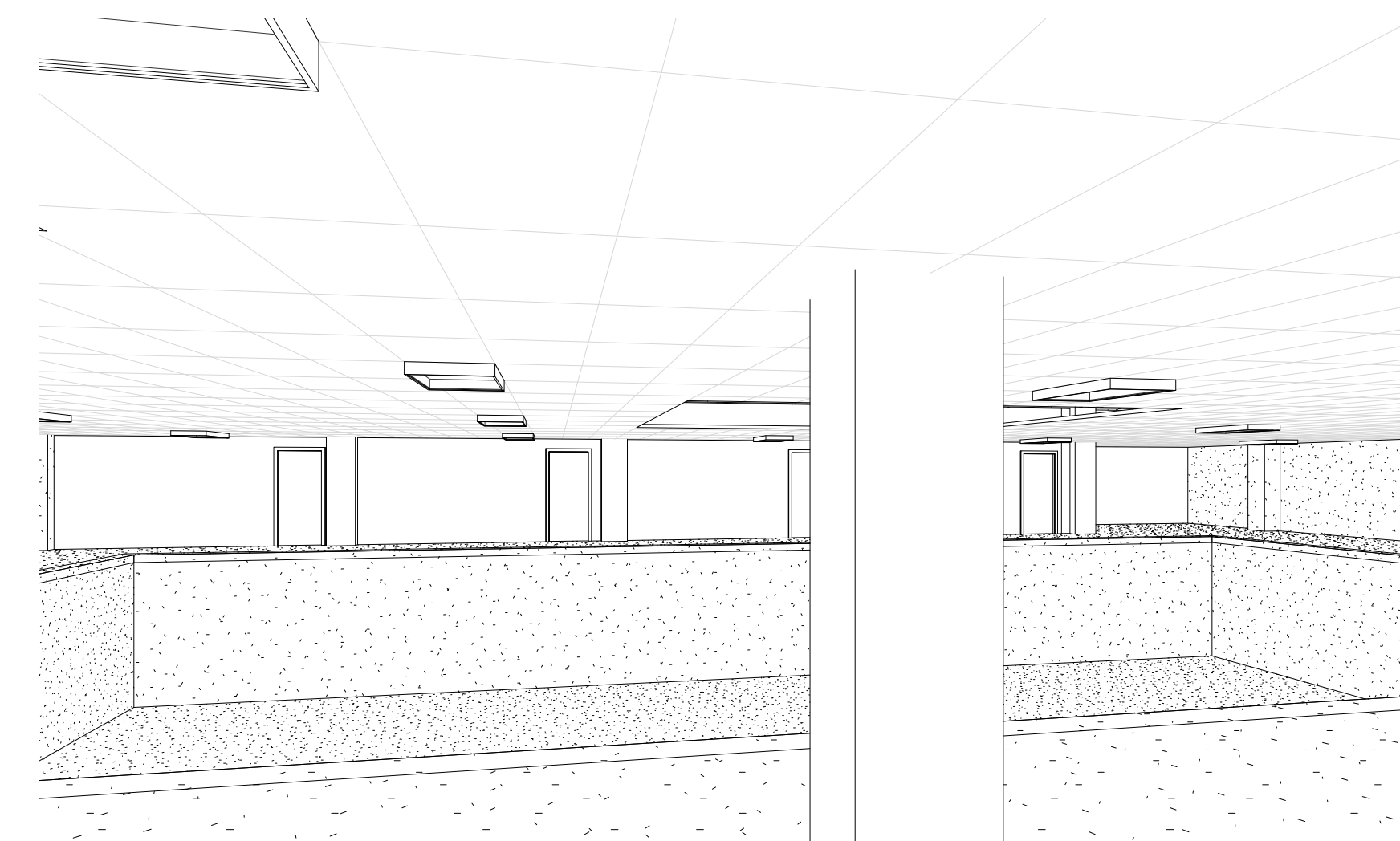


ARCHITECTURAL SHEET LIST	
Sheet Number	Sheet Name
A101	BASEMENT
A102	LEVEL 1
A103	LEVEL2
A104	LEVEL3
A108	SECTION
A109	SECTION
A105	EAST ELEVATION
A106	SOUTH ELEVATION
A107	WEST ELEVATION
A401	CURTAIN WALL DETAILS

1 COVER



2 COVER 2

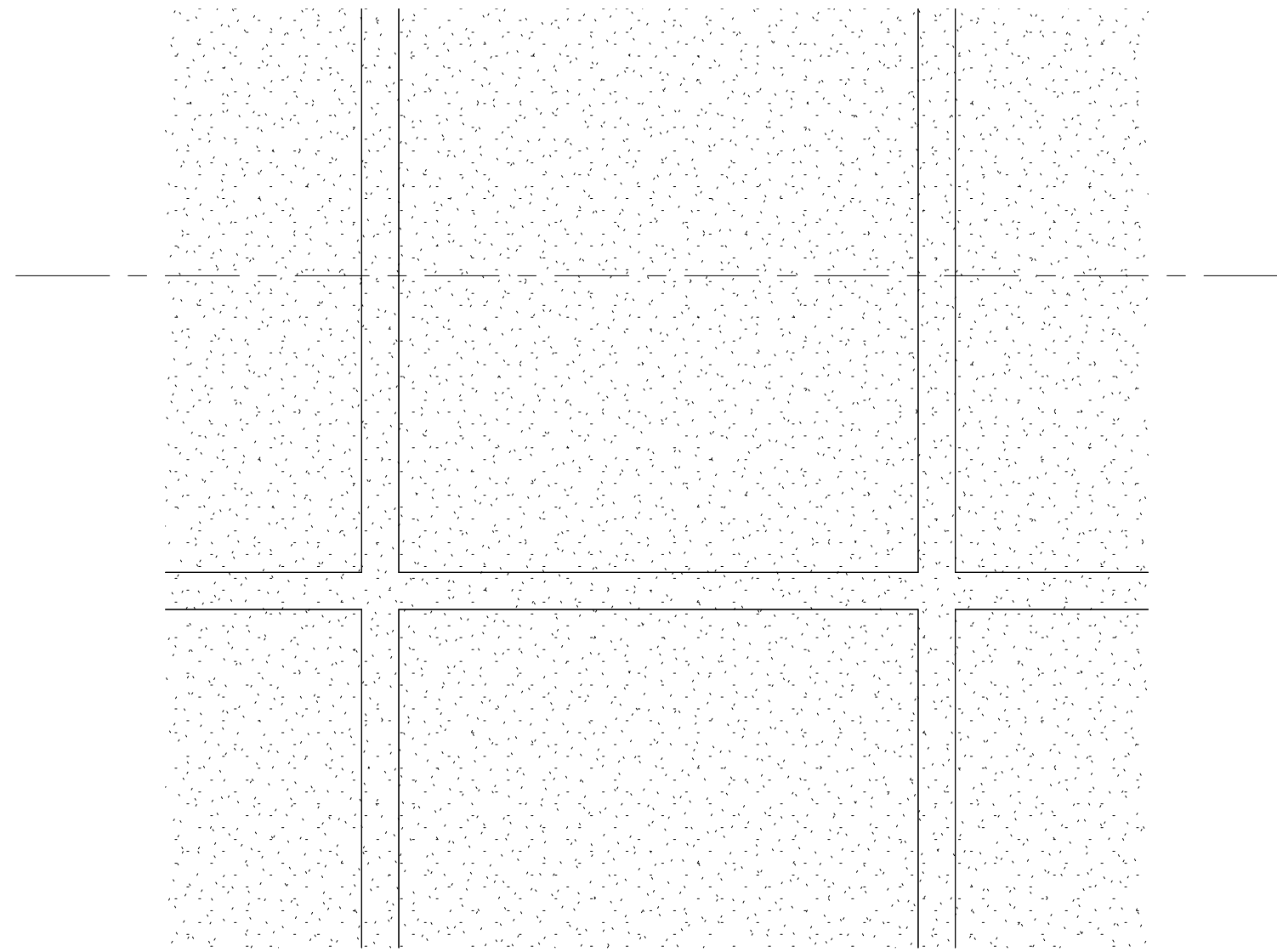
No.	Description	Date

SHAUN HARDY
HEALTH CLUB
COVER

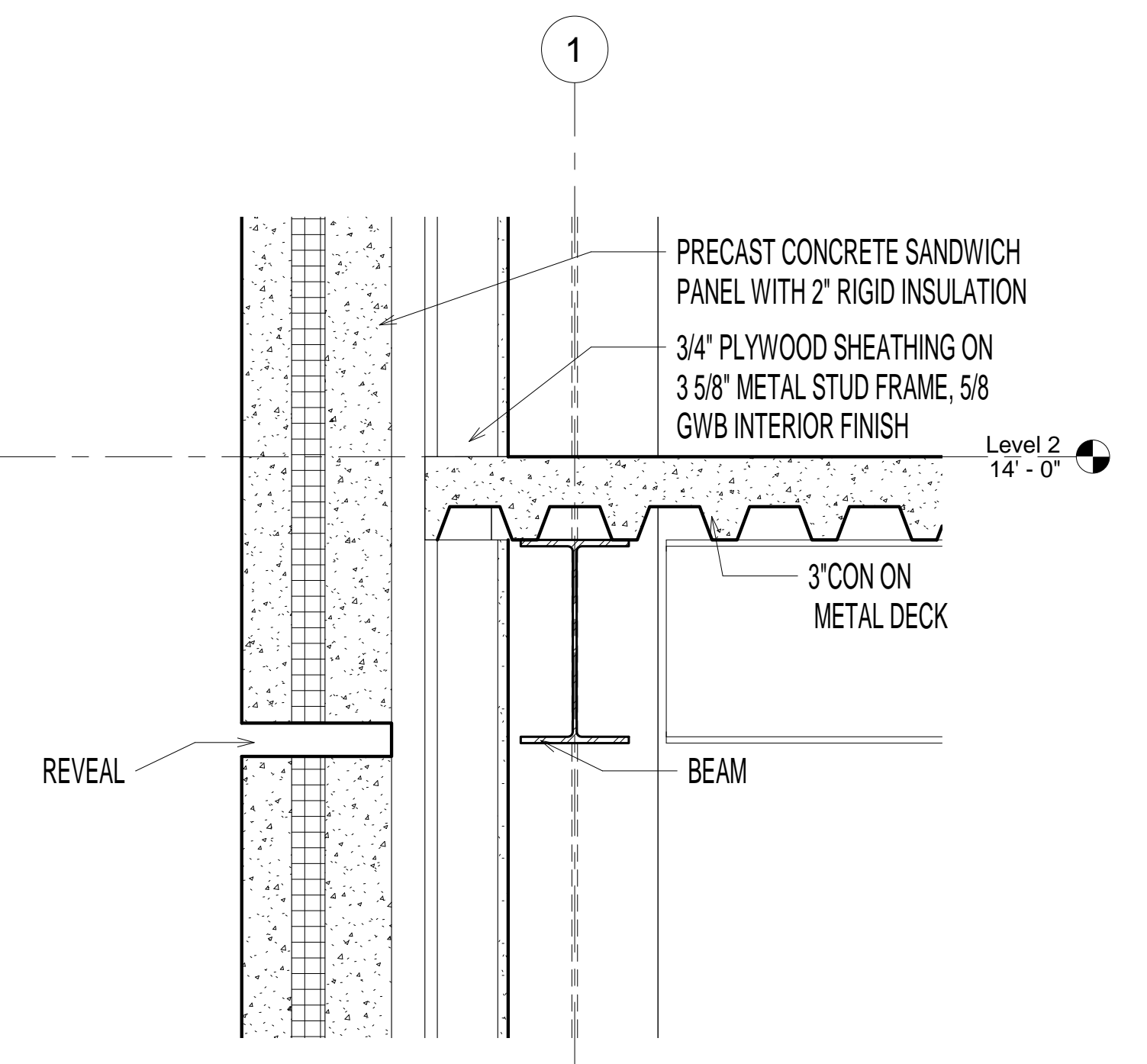
Project number 1
Date FALL 2017
Drawn by Author
Checked by Checker

A000

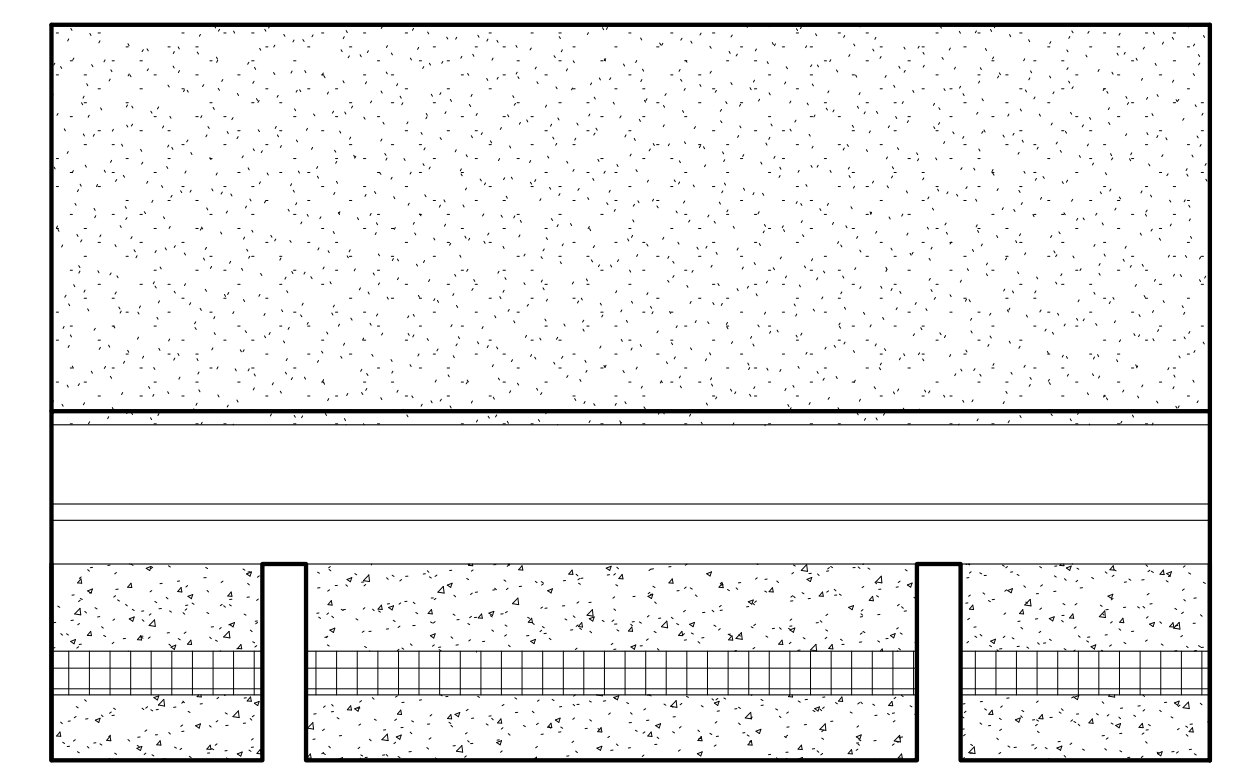
Scale



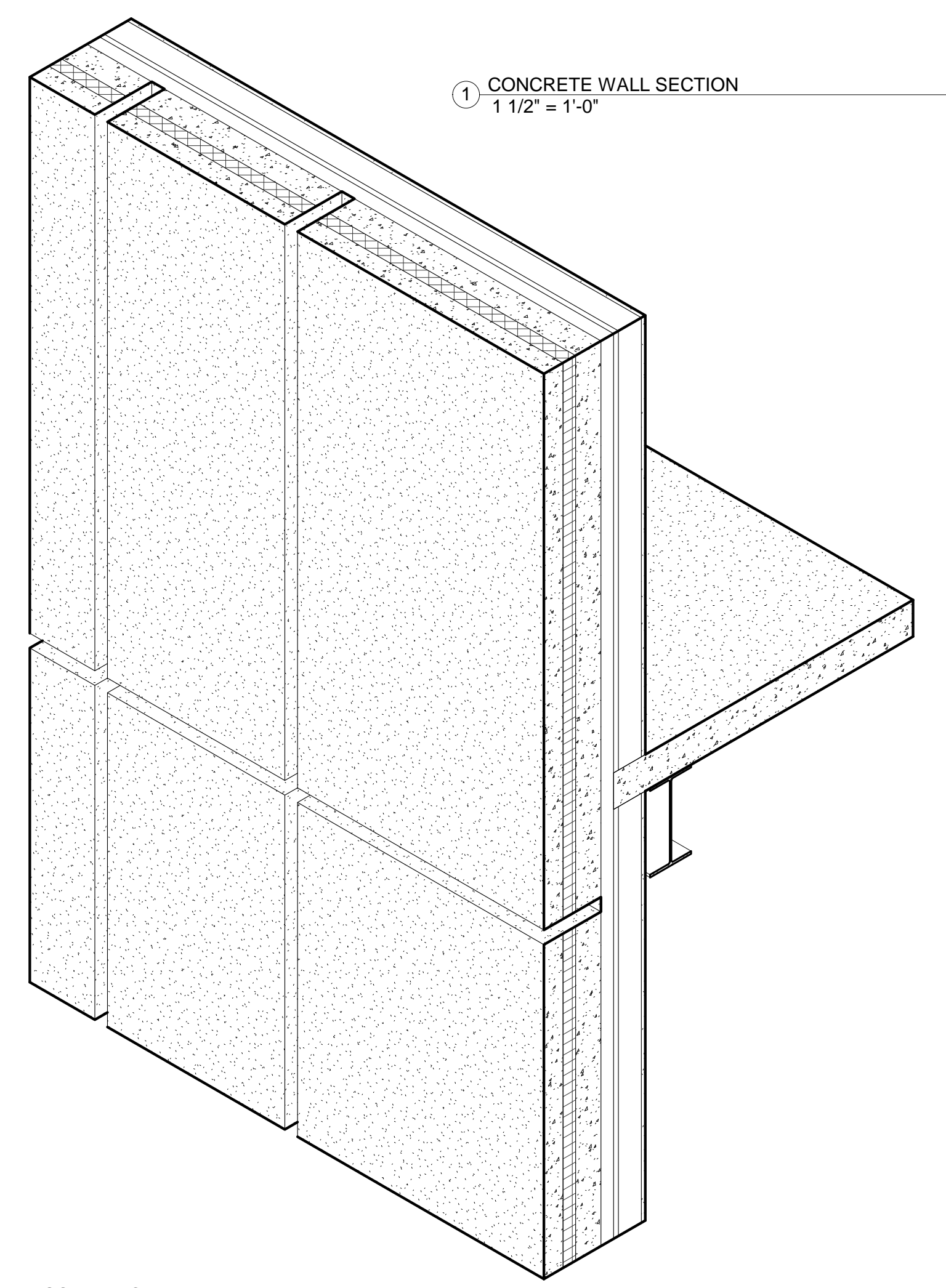
2 FRONT ELEVATION
1 1/2" = 1'-0"



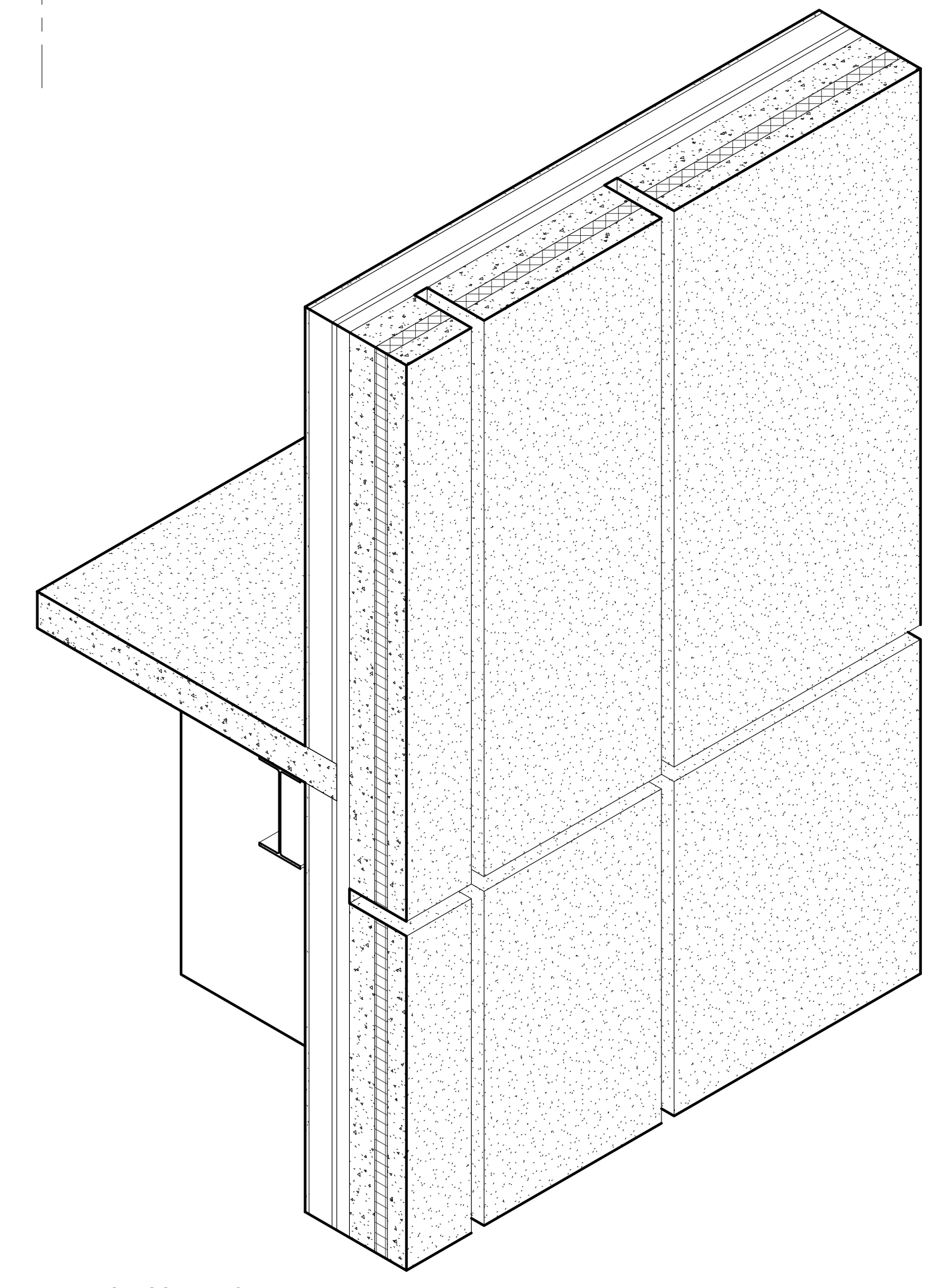
1 CONCRETE WALL SECTION
1 1/2" = 1'-0"



3 WALL PLAN DETAIL



4 ISOMETRIC WALL DETAIL



5 INTERIOR ISOMETRIC WALL DETAIL

No.	Description	Date

**SHAUN HARDY
HEALTH CLUB
WALL DETAILS**

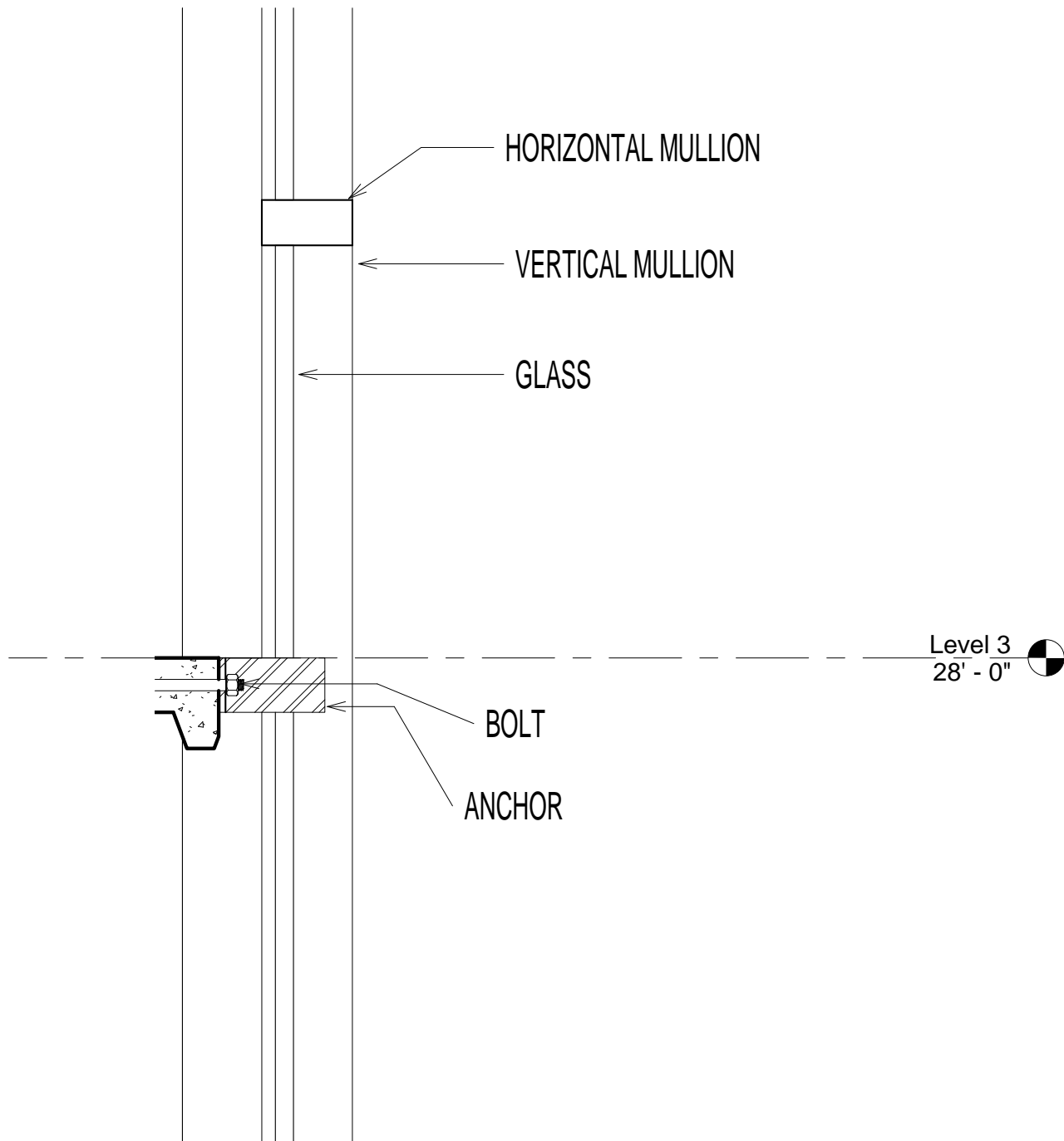
Project number	1
Date	FALL 2017
Drawn by	SHAUN HARDY
Checked by	KING

A400

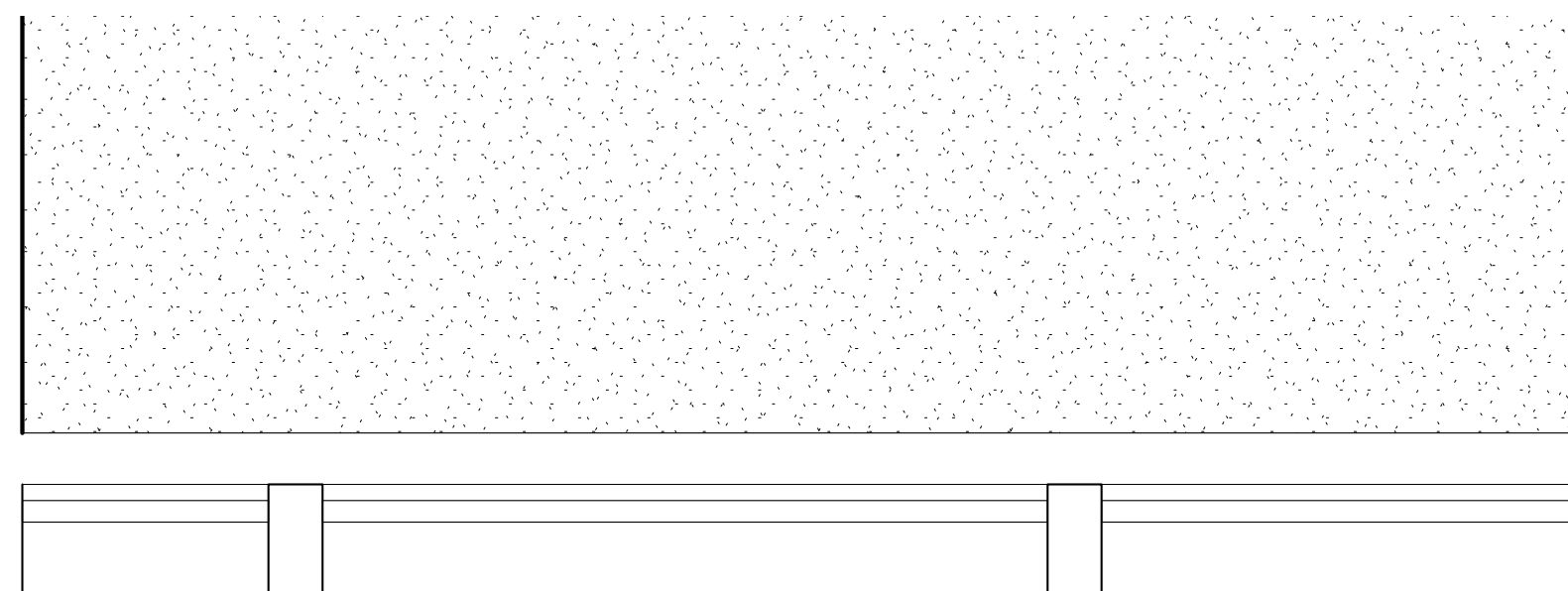
Scale 1 1/2" = 1'-0"



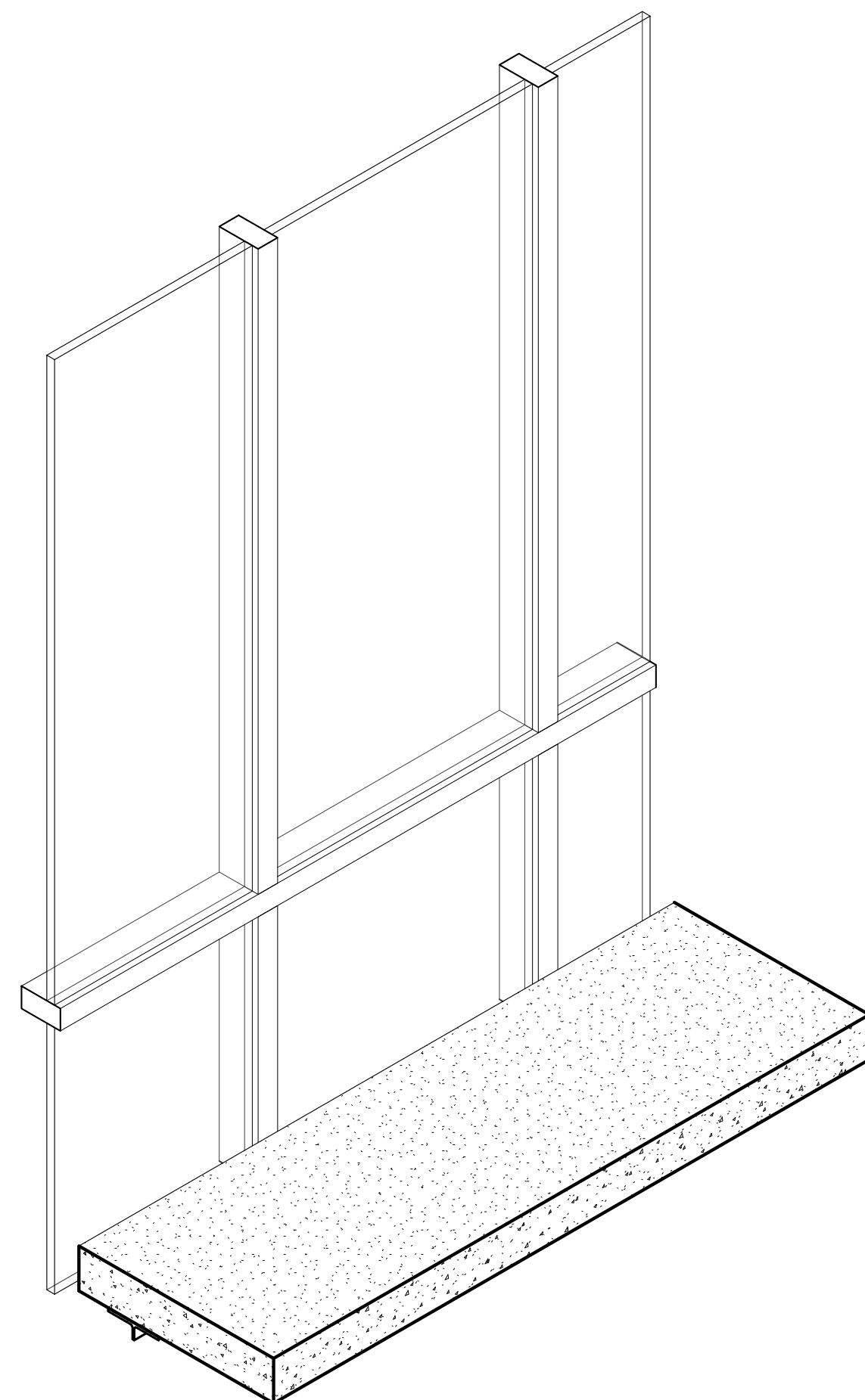
② FRONT ELEVATION.
1 1/2" = 1'-0"



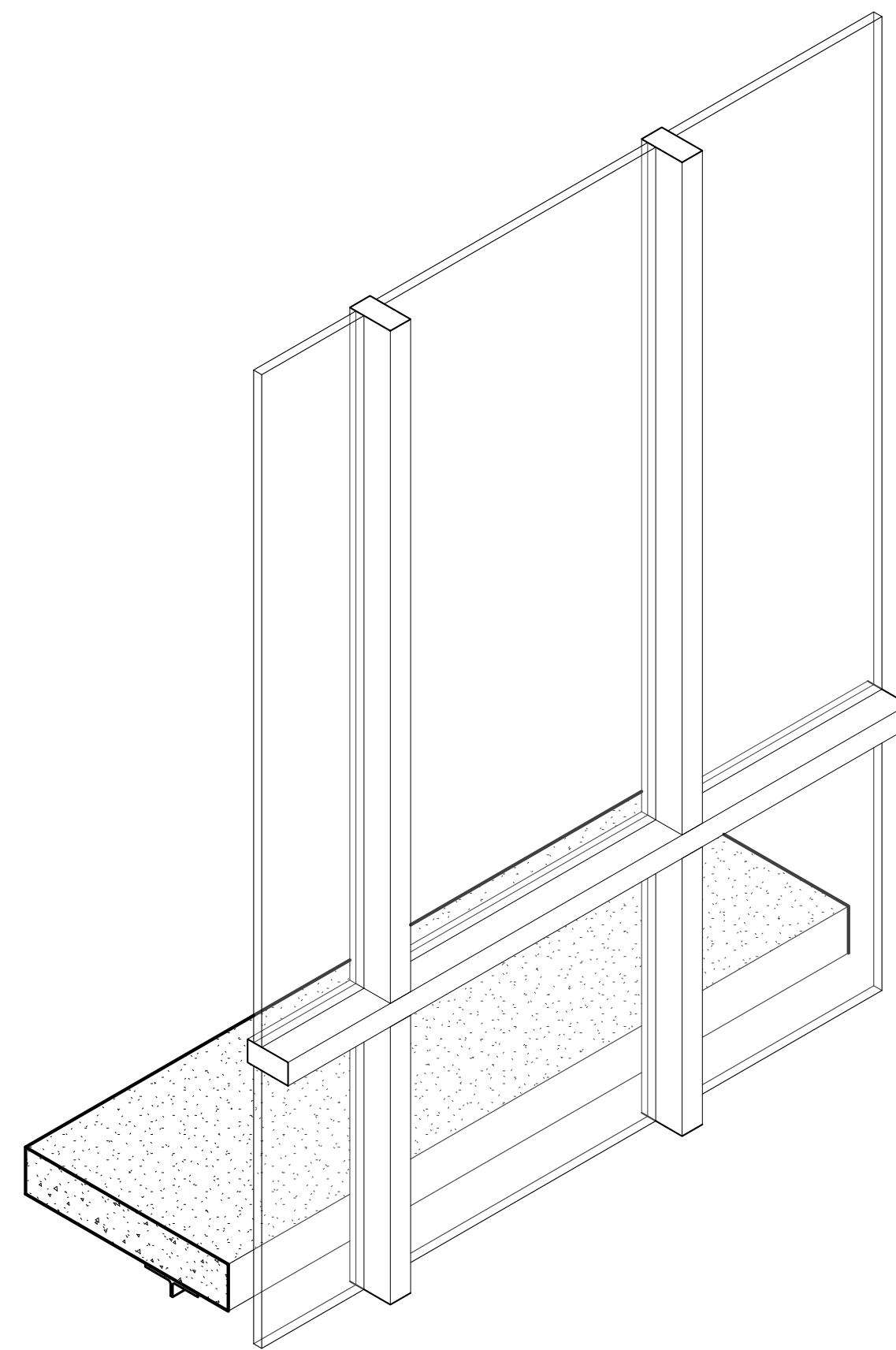
① CURTAIN WALL SECTION
1 1/2" = 1'-0"



③ PLAN CURTAIN WALL



④ CURTAIN WALL ISOMETRIC



⑤ CURTAIN WALL ISOMETRIC Copy 1



No.	Description	Date

SHAUN HARDY
HEALTH CLUB
CURTAIN WALL
DETAILS

Project number 1
Date FALL 2017
Drawn by Author
Checked by Checker

A401

Scale 1 1/2" = 1'-0"