



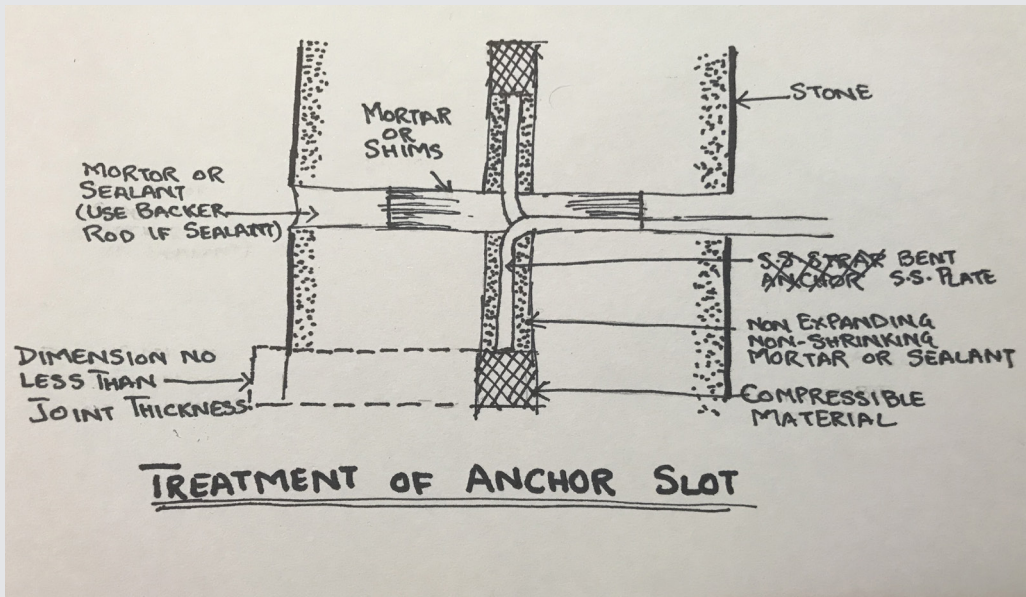
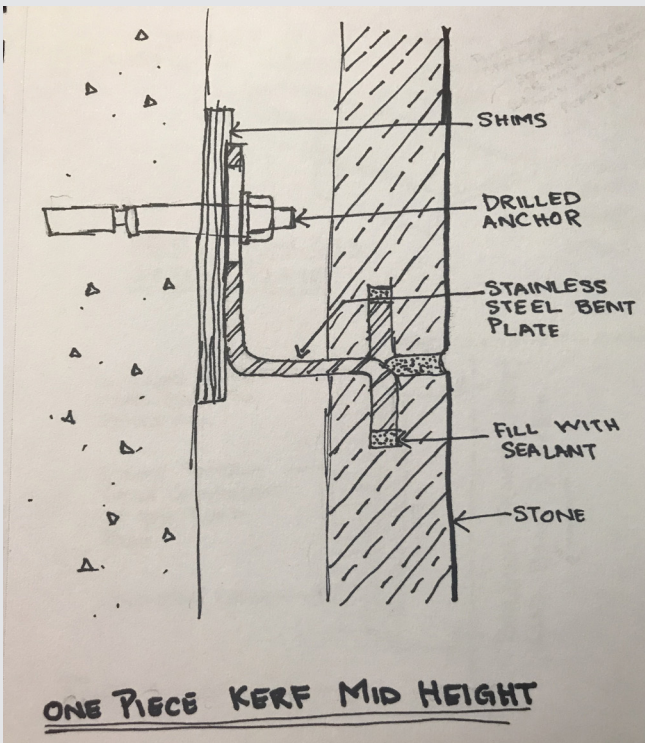
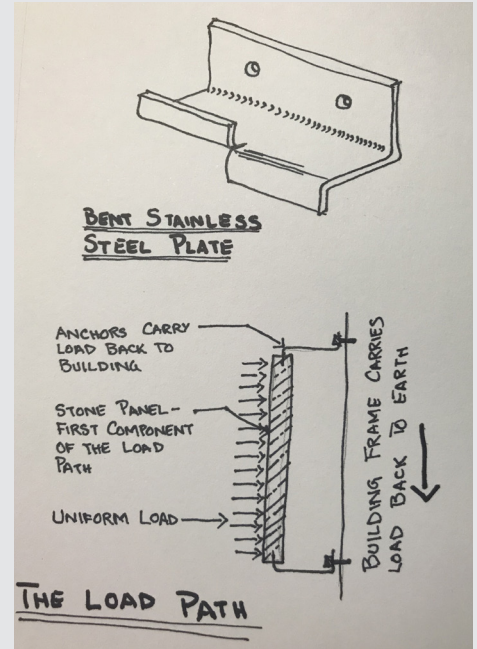
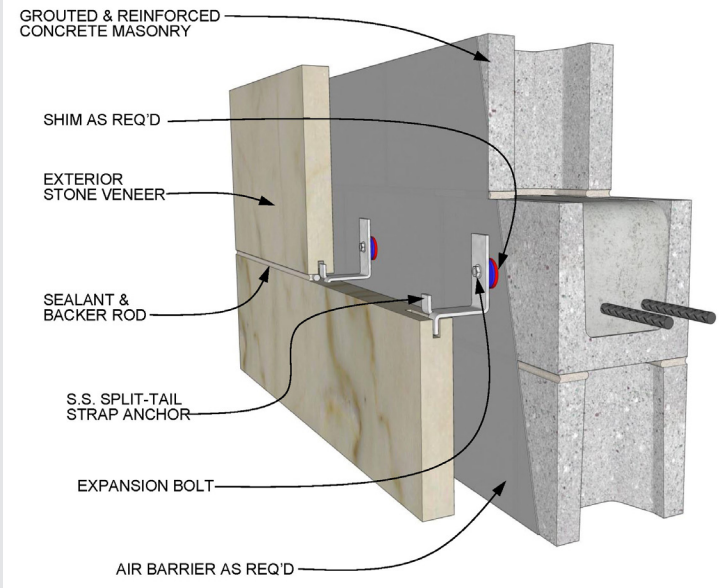
**FACADE AND CURTAIN WALL CONSTRUCTION
BY: NOOR SHAHEEN**

QUEENS CIVIL COURT



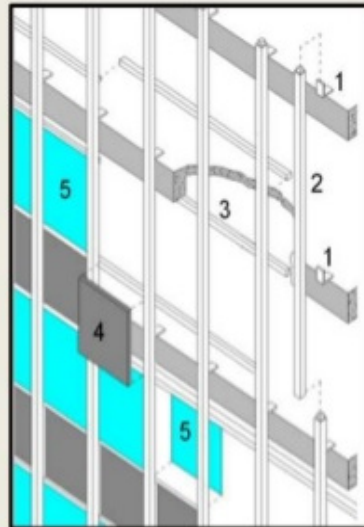
**FACADE AND CURTAIN WALL CONSTRUCTION
BY: NOOR SHAHEEN**

NATURAL STONE CLADDING USING ANCHOR SYSTEM

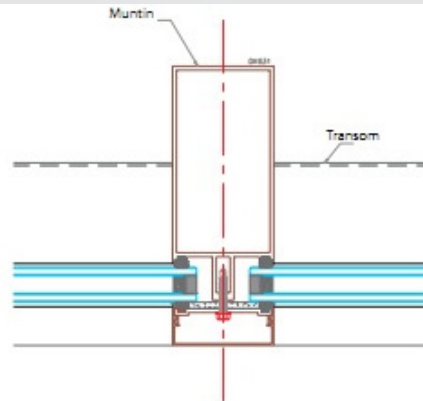
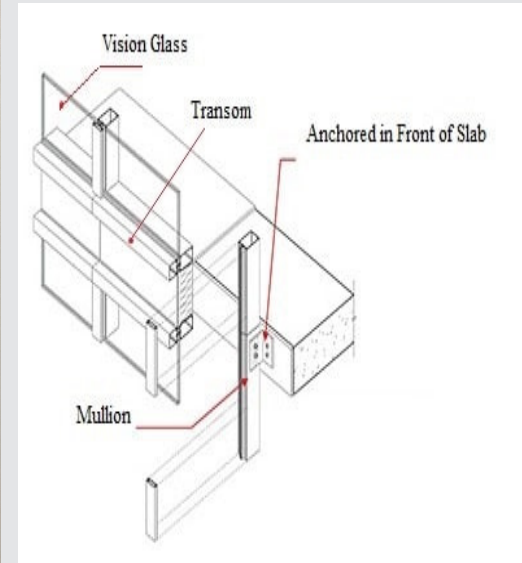
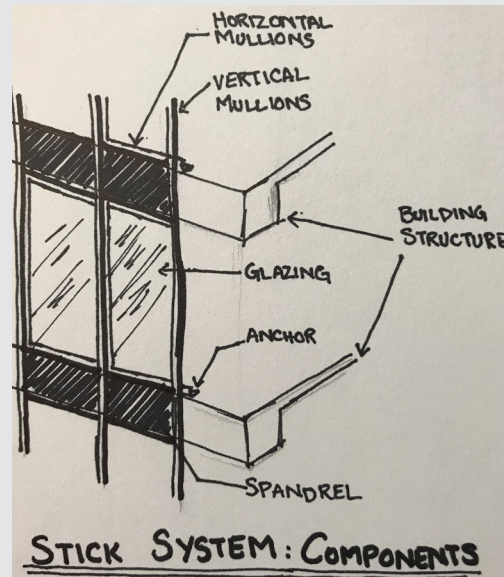


FACADE AND CURTAIN WALL CONSTRUCTION BY: NOOR SHAHEEN

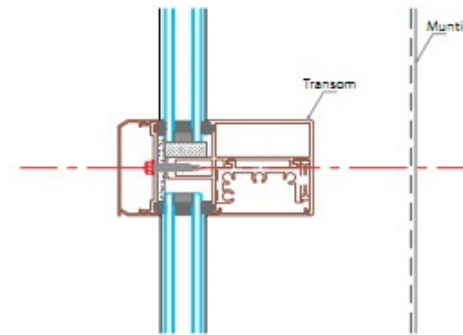
CURTAIN WALL COMPONENTS



- 1. Anchors
- 2. Mullion
- 3. Horizontal Rail
- 4. Spandrel Panel
- 5. Vision Glass

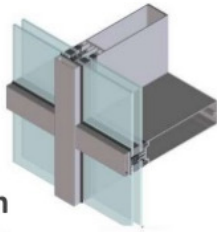


(DETAILED SECTION OF VERTICAL)



(DETAIL SECTION OF HORIZONTAL BAR)

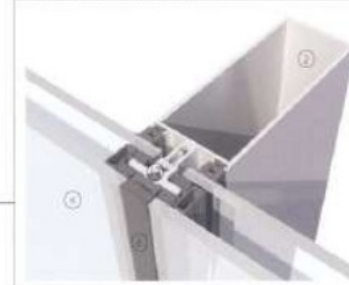
Stick Glazing



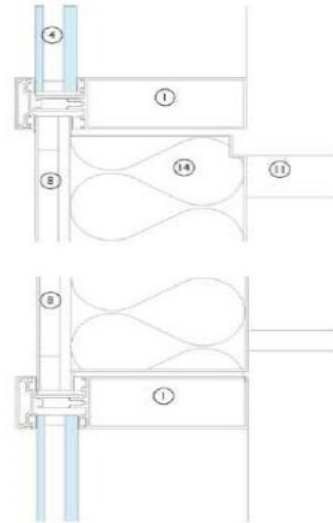
Sticks System



Basic capped unitised glazing detail

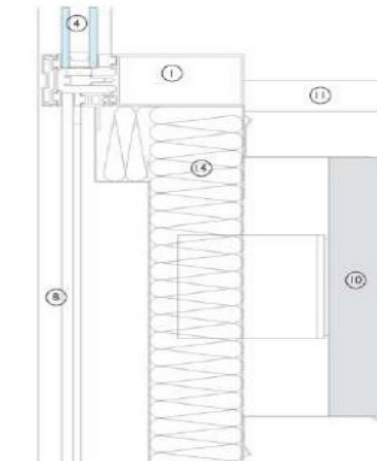


Uncapped unitised glazing detail



Vertical section 1-5: Junction with double glazed

Horizontal section 1-5: Junction between double glazed unit and insulated metal panel



Vertical section 1-5: Opaque glass curtain wall

Details

1. Extruded aluminium transom
2. Extruded aluminium mullion
3. Fixing bracket
4. Single glazed or double glazed unit to suit application
5. Pressure plate
6. Rubber-based seal
7. Thermal break
8. Metal-faced or opaque glass-faced insulated panel
9. Cover cap
10. Floor slab
11. Floor finish
12. Ceiling finish