

CURTAIN WALL SYSTEMS

UNITIZED CURTAIN WALL

PRECAST CONCRETE

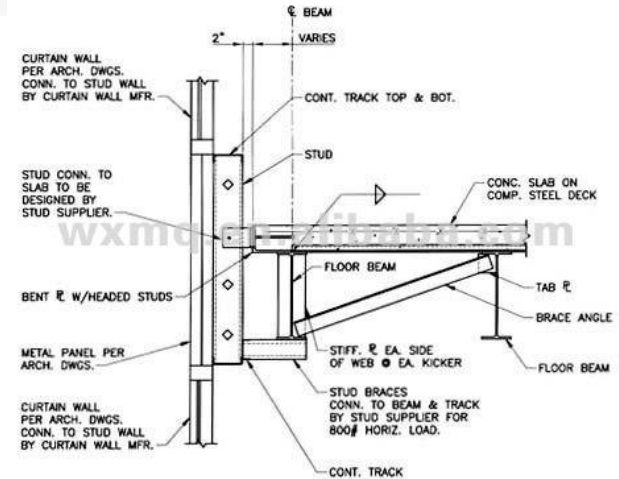
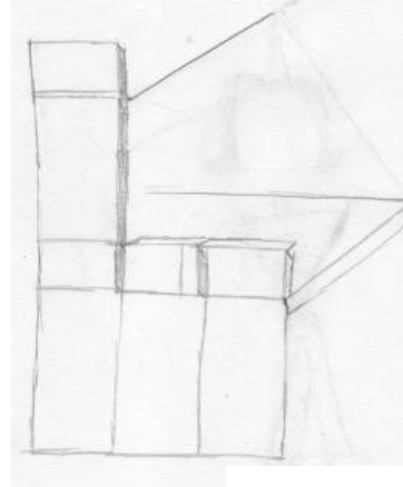
DANIELLE HORNE

ARCH 2330 FA17

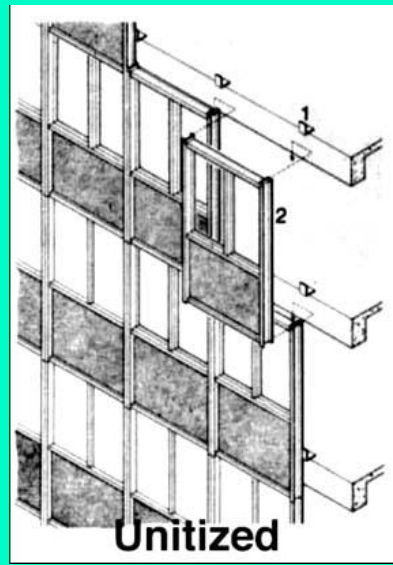
PROFESSOR PAUL KING

ABOUT CURTAIN WALL

- Designed to resist wind and rain.
- The name comes from a simple concept that the wall is thin and “hangs” like a curtain in building structure.
- There’s three systems types involved such as Stick system, Panel system, The Structural Glazing



THE UNITIZED CURTAIN WALL



BASEMENT (PRECAST CONCRETE)



Precast Concrete Wall on Slab

(Scale: $\frac{3}{4}$ In. = 1 ft)

