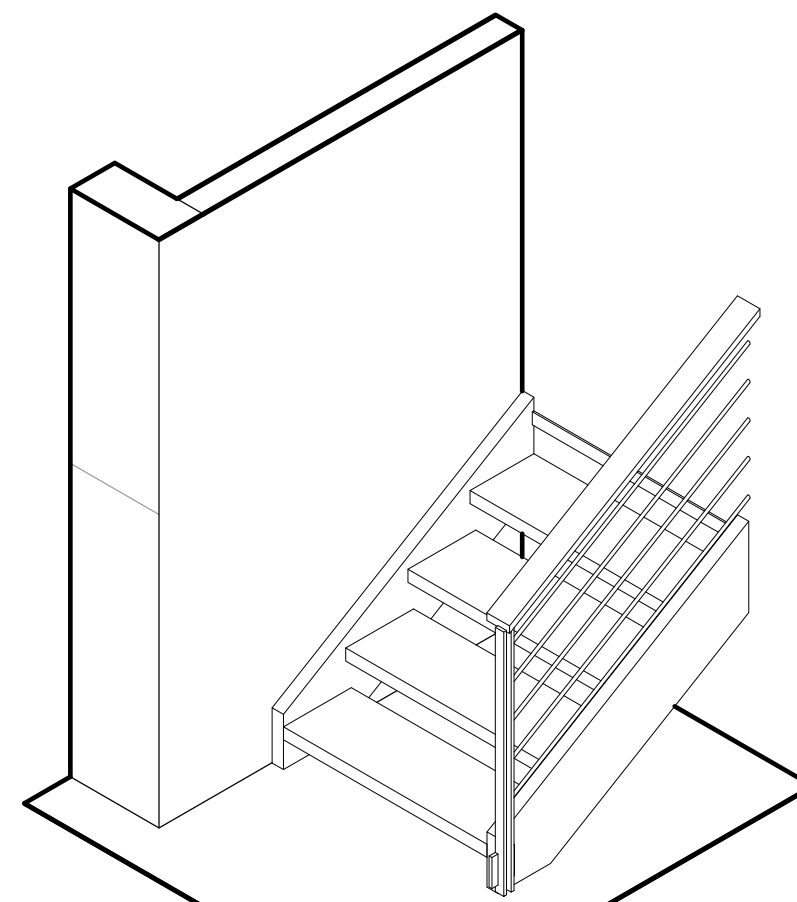
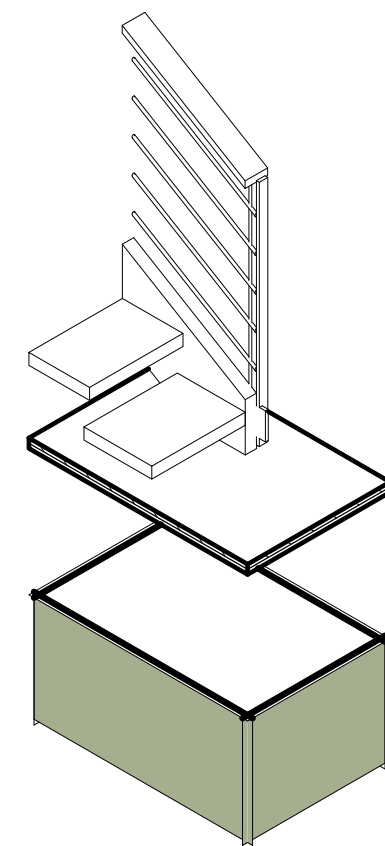


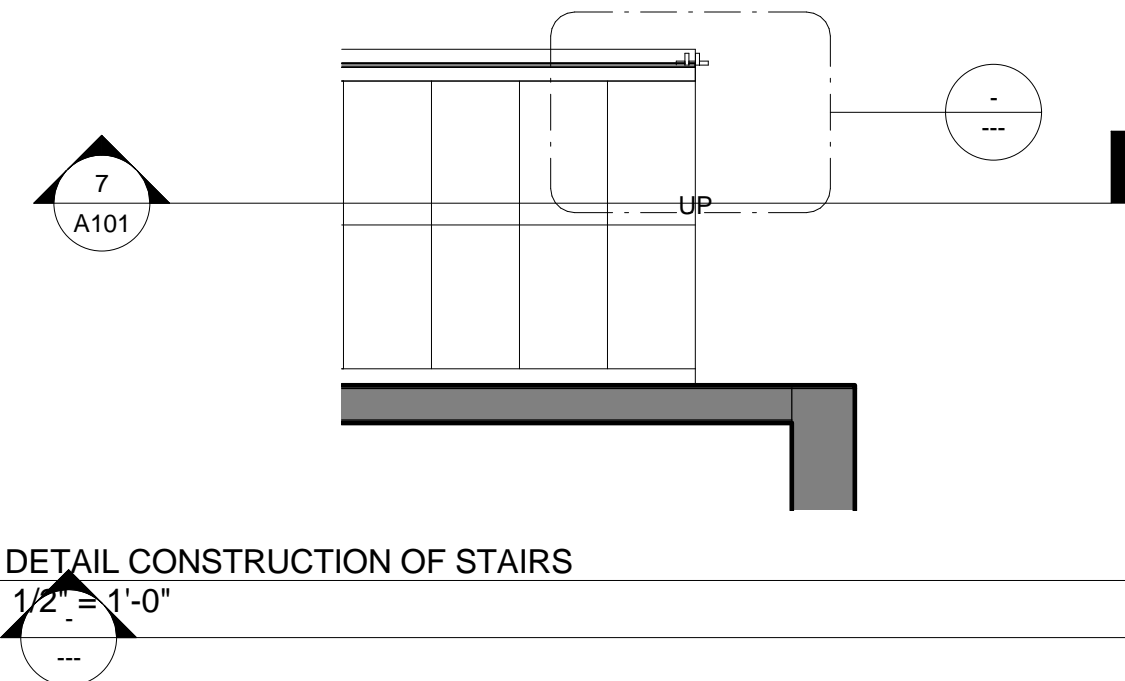
8 ISONOMETRIC SOUTH - EAST STAIRS



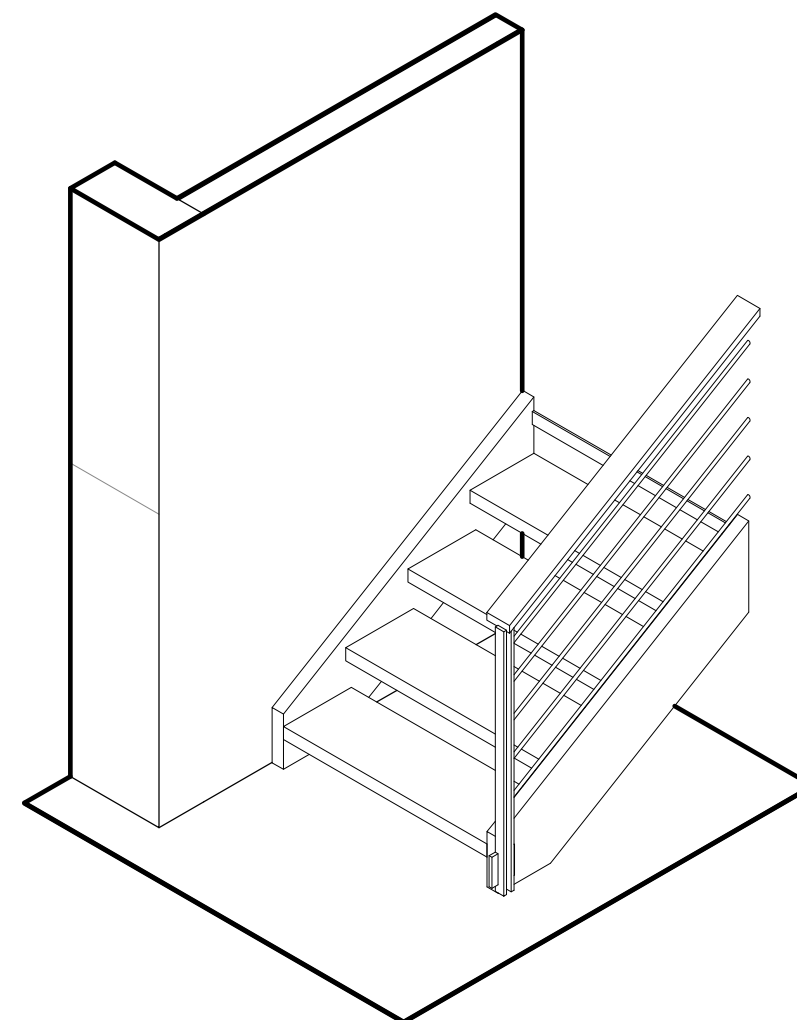
6 ISONOMETRIC - DETAIL CONSTRUCTION OF STAIRS - NO HANDRAILS



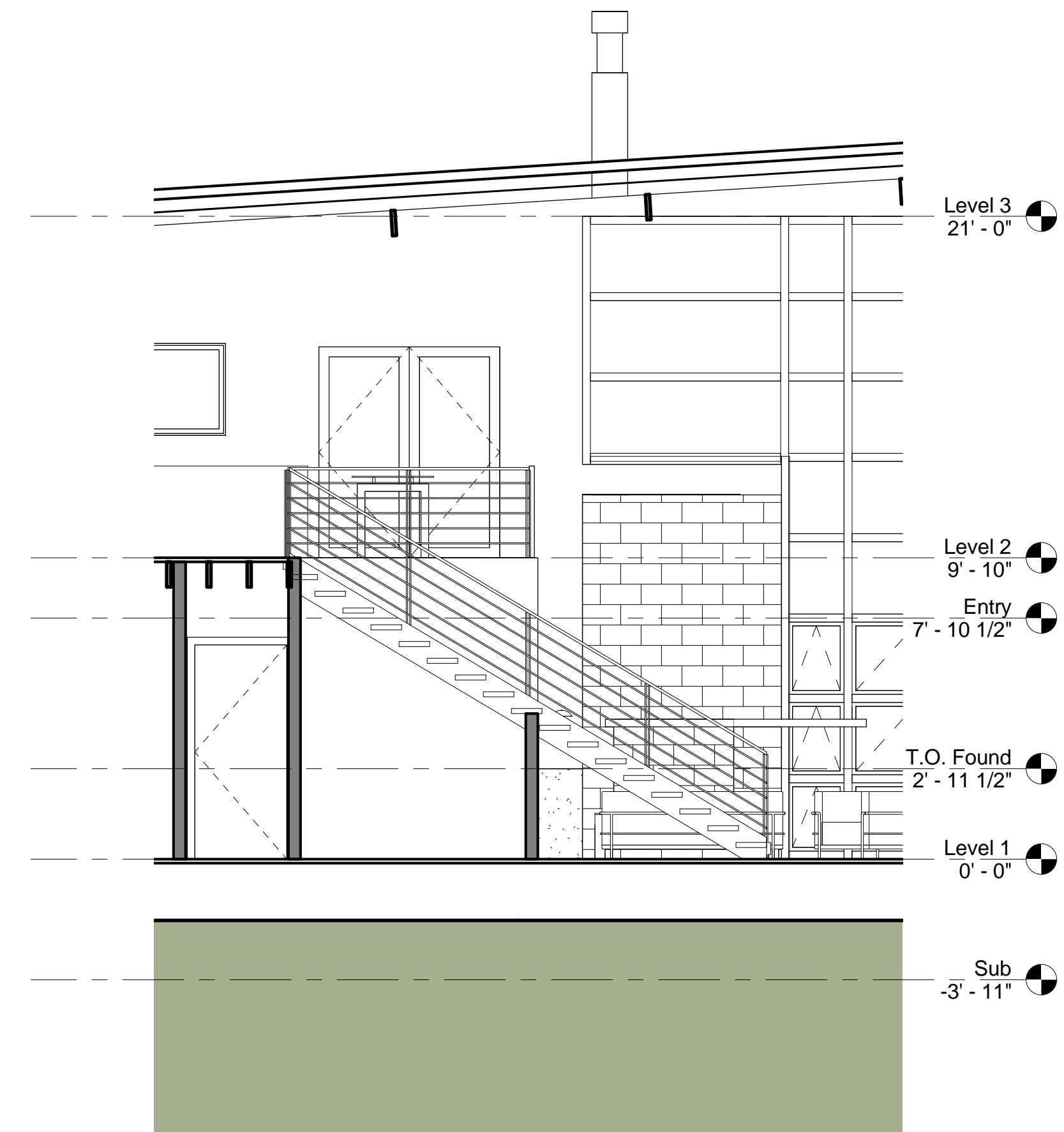
4 ISO DEATIL HANRAIL AND STEPS



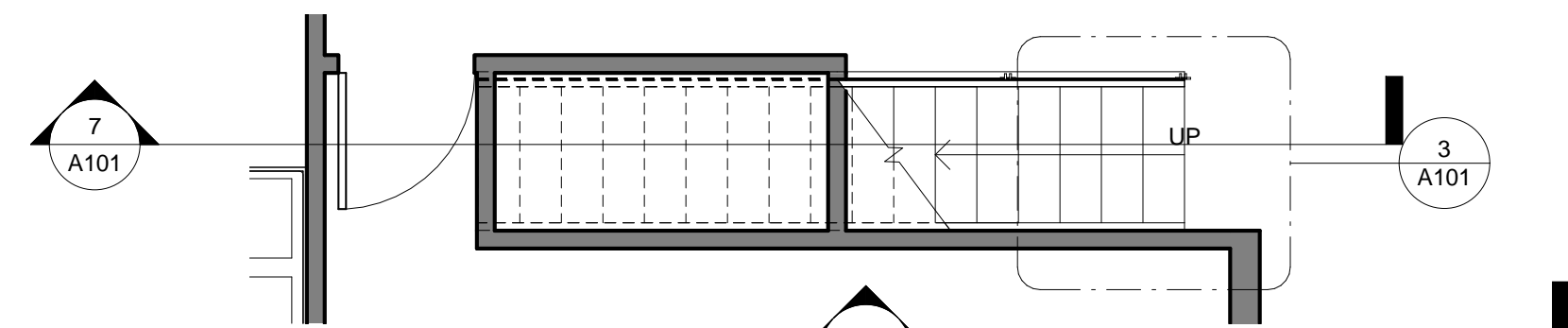
3 DETAIL CONSTRUCTION OF STAIRS



5 ISONOMETRIC - DETAIL CONSTRUCTION OF STAIRS

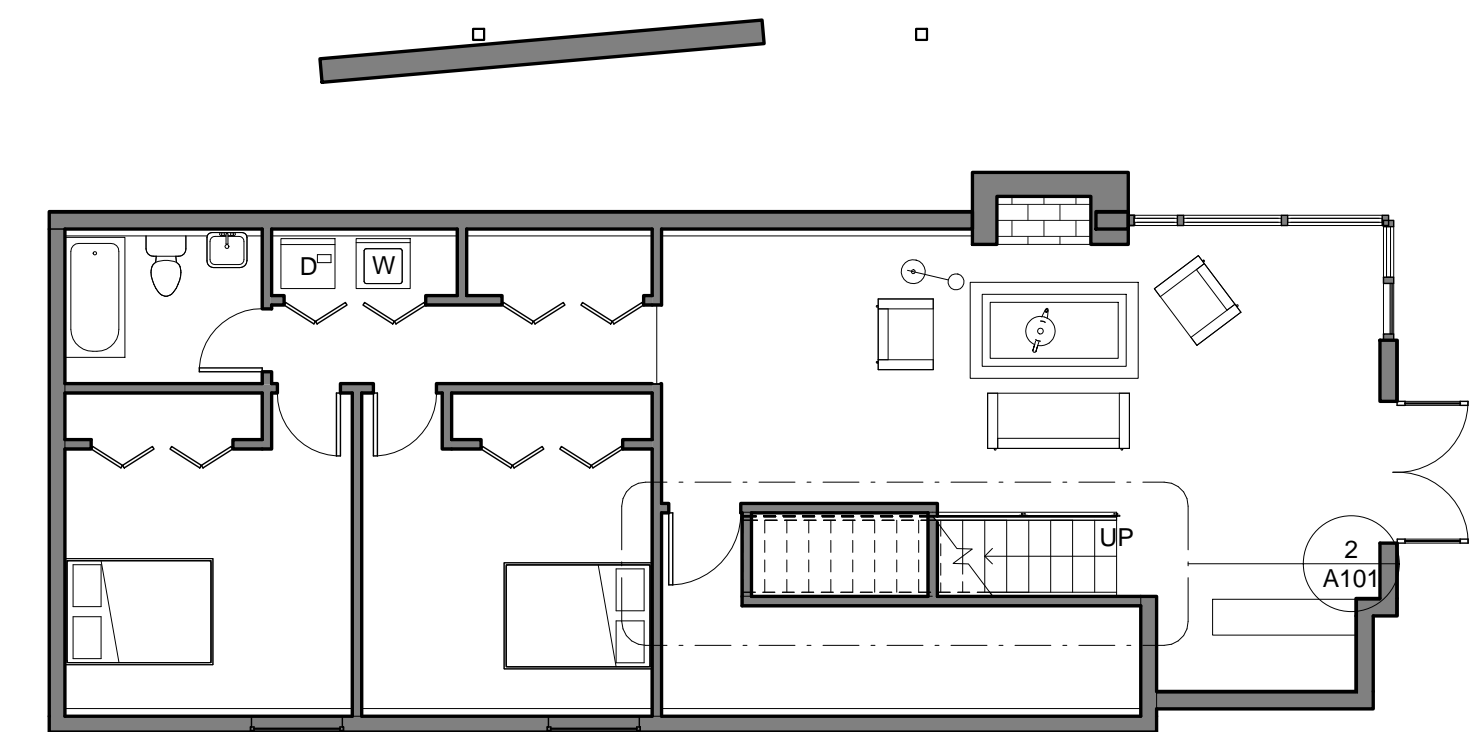


7 WEST SECTION OF STAIRS



2 GROUND FLOOR PLAN STAIR CALLOUT--

1 GROUND FLOOR PLAN



No.	Description	Date

SCAVANGER HUNT

Project number A100
 Date OCTOBER 18, 2013
 Drawn by LISSET GARCIA
 Checked by PROF KING

A101

Scale As indicated