



INTRODUCTION

My Project will be to develop an upgraded wireless communications system for the City Tech Entertainment Technology department's Voorhees Theatre. The communications system will improve interactions between theatrical production staff, and be based around the existing communications system. Unity Intercom will be the service that is integrated to bridge the gap and allow for modernization and mobility.



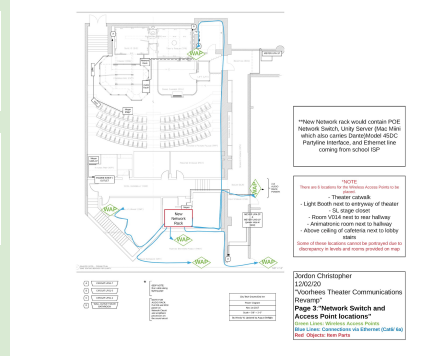
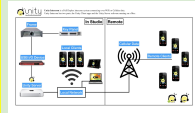
What do you need to improve a Comms System?

By: Jordon Christopher

Entertainment Technology, NYCCT, Brooklyn NY, 11201
MAP OF LOCATIONS

DELIVERABLES

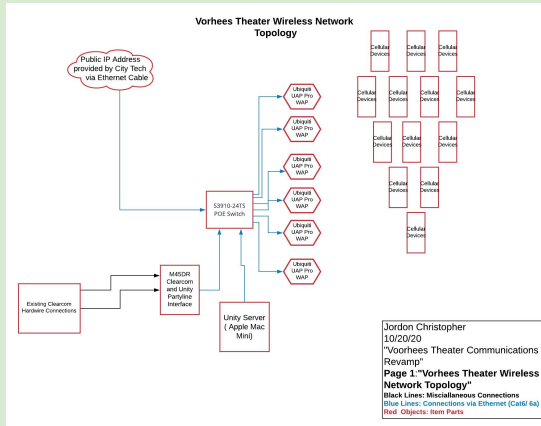
- System Document
- Block Diagram of Solution
- Map Of Locations
- Topology of Wireless Access Points and equipment
- Parts list and Budget



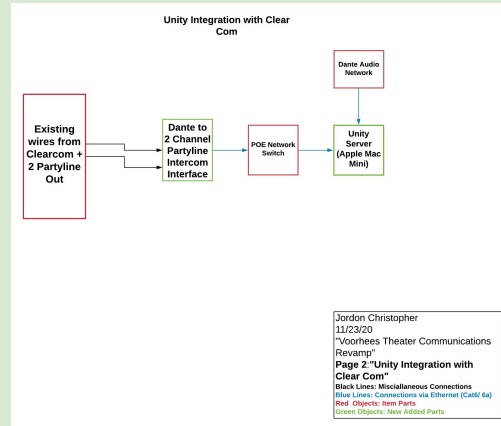
METHODS

- Coordinate with Susan Brandt how many wireless intercom stations she will like to add on to the current system in terms of headsets for management staff, and students
- Design the system needs and document requirements needed to fulfill the task
- Coordinate with John Robinson for IT details regarding LAN and WIFI details
- Create a budget and parts list in line with the Departments available funding for future implementation.
- Create Departmental Budget Submission
- Create an Installation Plan

NETWORK TOPOLOGY BLOCK DIAGRAM



INTEGRATION BLOCK DIAGRAM



PROBLEM

Due to the Pandemic, the Campus was not open this semester, therefore I would be unable to submit these documents in person, and the department would not be able to move forward with the plans until things normalize and budgets can be approved.

CONCLUSION

With the adequate paperwork, and prior research done the Entertainment Department would be able to fuel a proposal to get the Unity Server software, licenses, and adequate Hardware to modernize the communications system. All of these components are needed in a conventional proposal and an upgrade would be in the best interest of those working behind the scenes. This would allow for better workflow and communication between students and staff, which in turn gives the community and various patrons a better experience