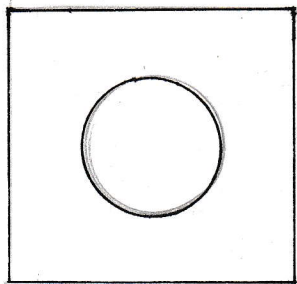
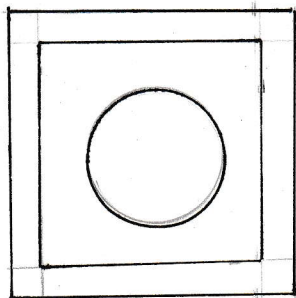


Drawing 1

VIEW:TOP

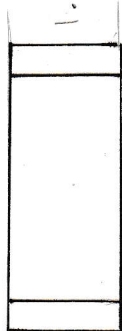


VIEW:BOTTOM



3.75cm

VIEW:SIDE



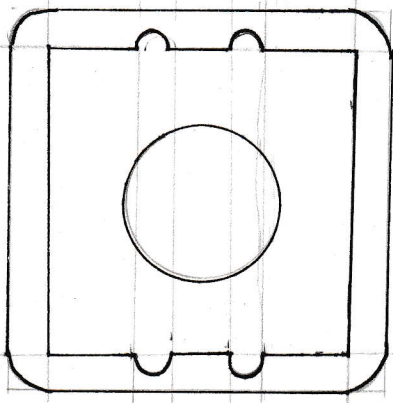
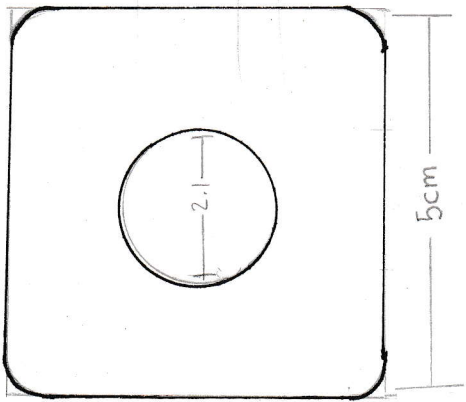
1.5cm

3.75cm

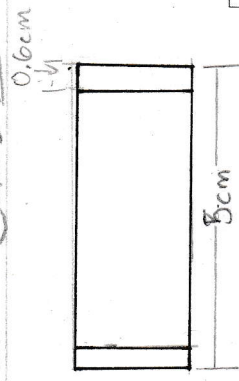
0.45cm

Quantity	Part ID / number	Fabrication tolerances	Material
MOD	E: _____	Drawn by:	Scale : 1/3
	D: _____	Controlled by:	
	C: _____	Date:	
	B: _____	Controlled 2:	
	A: _____	Controlled 3:	
Company name:		Project number / id:	
Part name:			

VIEW: TOP



VIEW: SIDE



Quantity	Part ID / number	Fabrication tolerances	Material
MOD	E: E_	Drawn by:	Scale :
	D: D_	Controlled by:	
	C: C_	Date:	
	B: B_	Controlled 2:	
	A: A_	Controlled 3:	
Company name:	Part name:	Project number / id:	