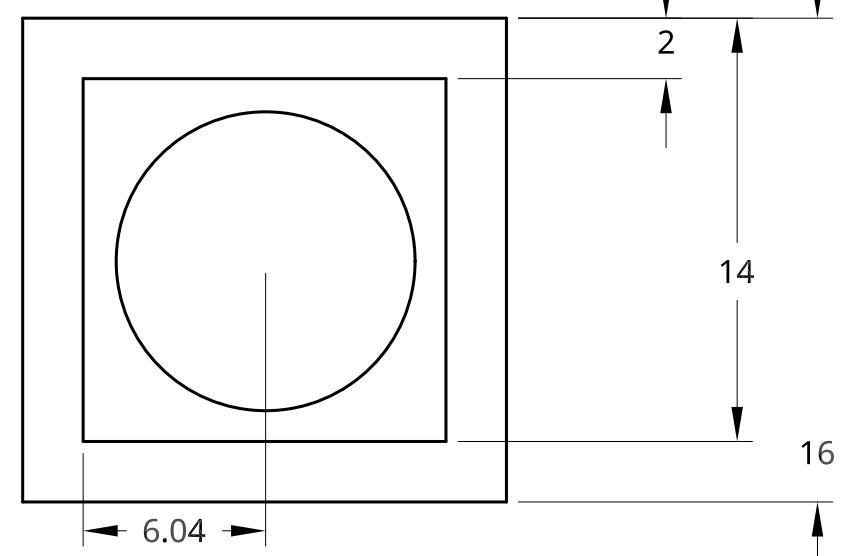
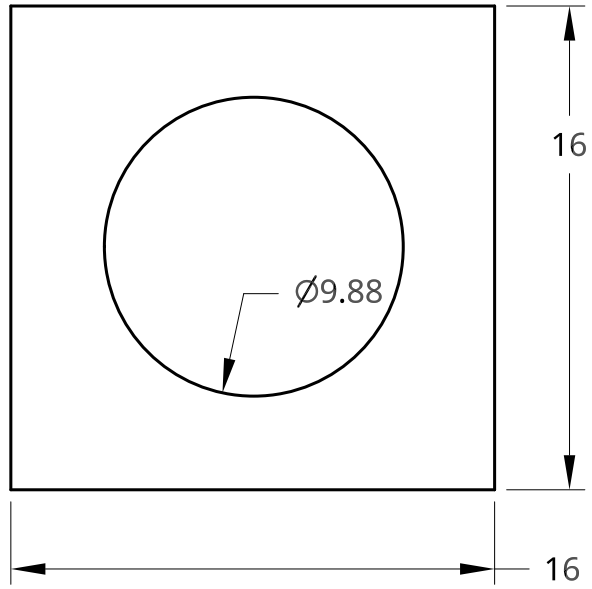


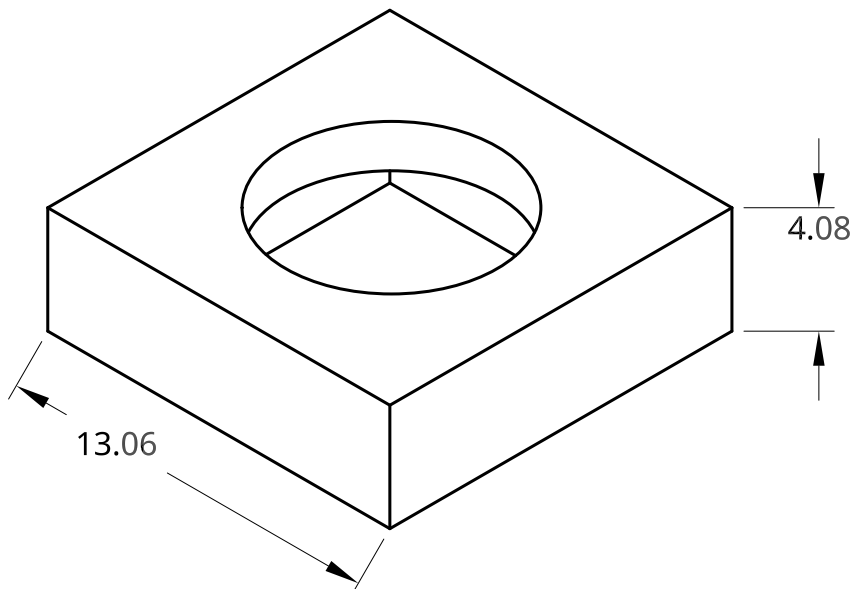
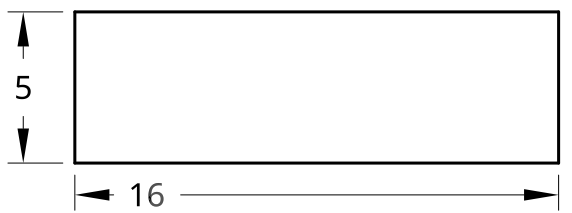
2 1

B



B

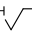
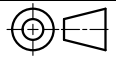
A



A

2

1

UNLESS OTHERWISE SPECIFIED, DIMENSIONS ARE IN MILLIMETERS		NAME	DATE		
ANGULAR = ± °		DRAWN	Rashid Webber	11/27/2017	
SURFACE FINISH 		CHECKED			TITLE
DO NOT SCALE DRAWING		APPROVED			----
BREAK ALL SHARP EDGES AND REMOVE BURRS					----
THIRD ANGLE PROJECTION		MATERIAL	FINISH	SIZE	DWG NO.
				A	----
				SCALE	WEIGHT
				4:1	SHEET
					1 of 1
					REV. -