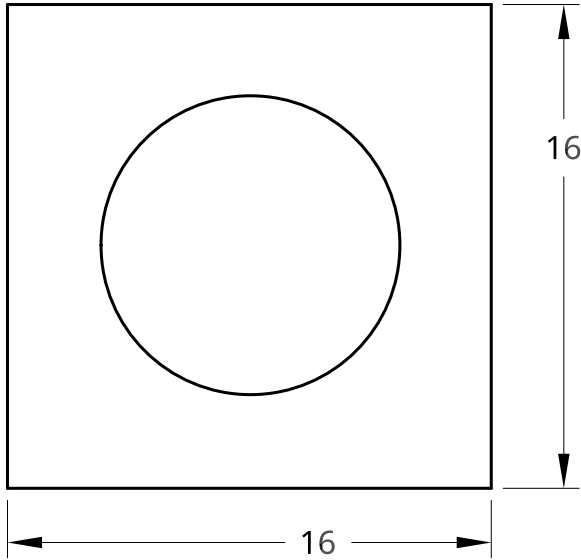


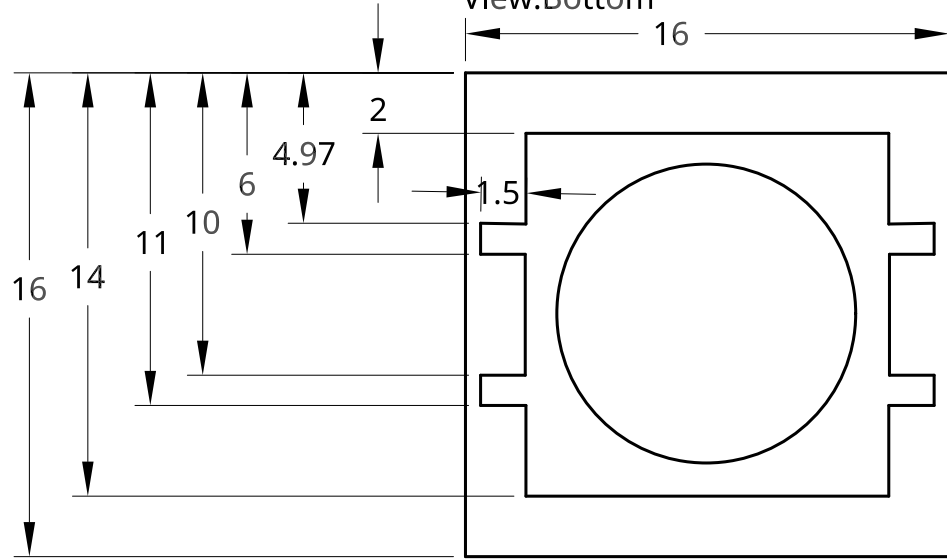
2

1

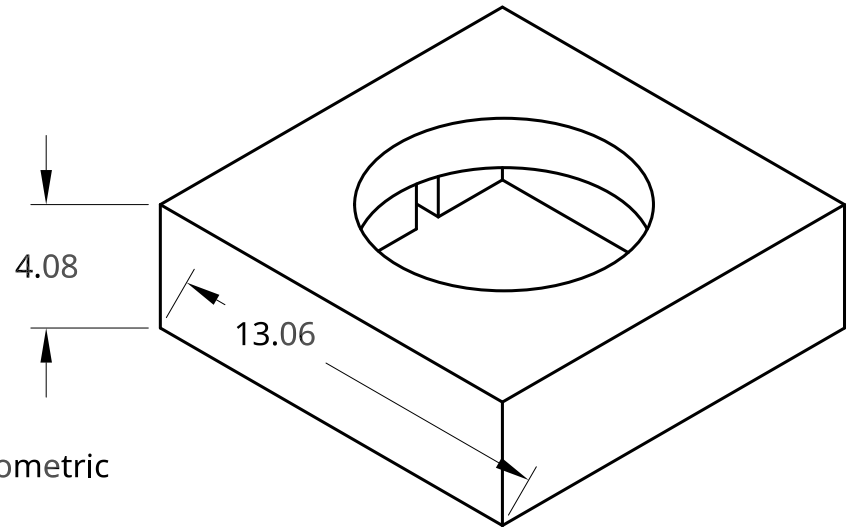
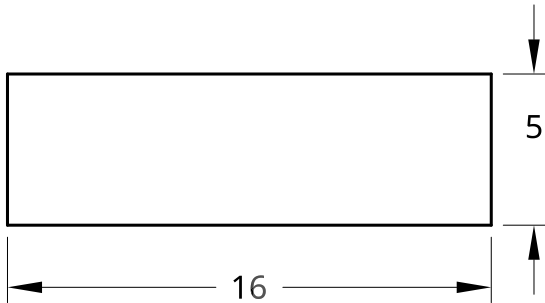
View:Top



View:Bottom



View:Bottom



View:Isometric

UNLESS OTHERWISE SPECIFIED, DIMENSIONS ARE IN MILLIMETERS		NAME	DATE		
ANGULAR = ± °		DRAWN	Rashid Webber	11/15/2017	
SURFACE FINISH		CHECKED			TITLE
DO NOT SCALE DRAWING		APPROVED			----
BREAK ALL SHARP EDGES AND REMOVE BURRS					----
THIRD ANGLE PROJECTION		MATERIAL	FINISH	SIZE	DWG NO.
				A	----
				SCALE	4:1
				WEIGHT	
				SHEET	1 of 1
				REV.	-

2

1

B

B

A

A