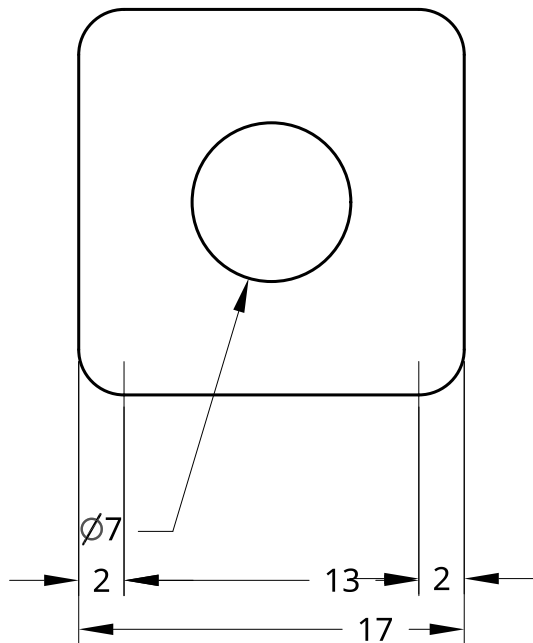


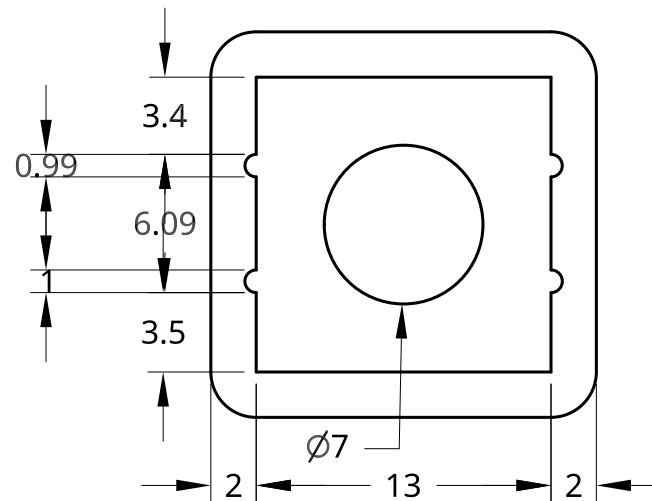
2

1

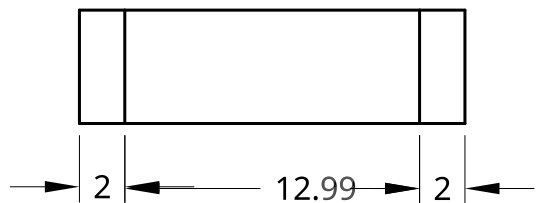
View:Top



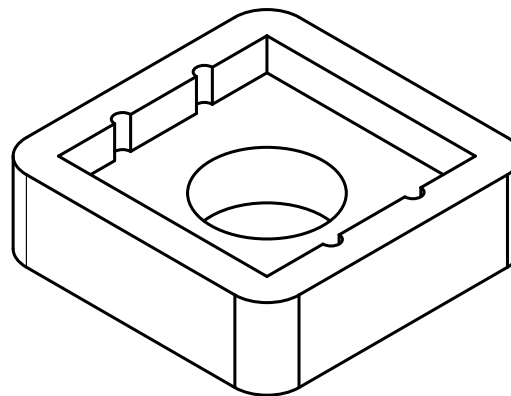
View: Bottom

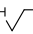



View : Side



View: Isometric



UNLESS OTHERWISE SPECIFIED, DIMENSIONS ARE IN MILLIMETERS ANGULAR = ± ° SURFACE FINISH  DO NOT SCALE DRAWING BREAK ALL SHARP EDGES AND REMOVE BURRS THIRD ANGLE PROJECTION 		NAME	DATE	TITLE ----- ----- -----			
	DRAWN	Kiara Wright	11/15/2017				
	CHECKED						
		APPROVED			SIZE	DWG NO.	REV.
					A	-----	-
	MATERIAL	FINISH		SCALE	WEIGHT	SHEET	
				3:1		1 of 1	

2

1

B

B

A

A