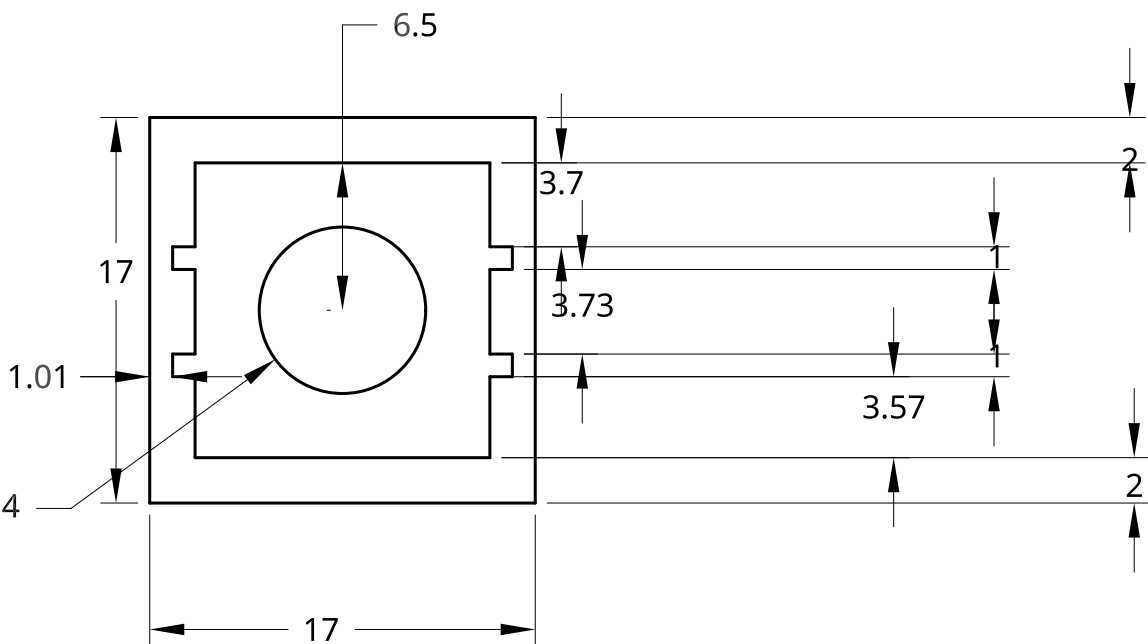
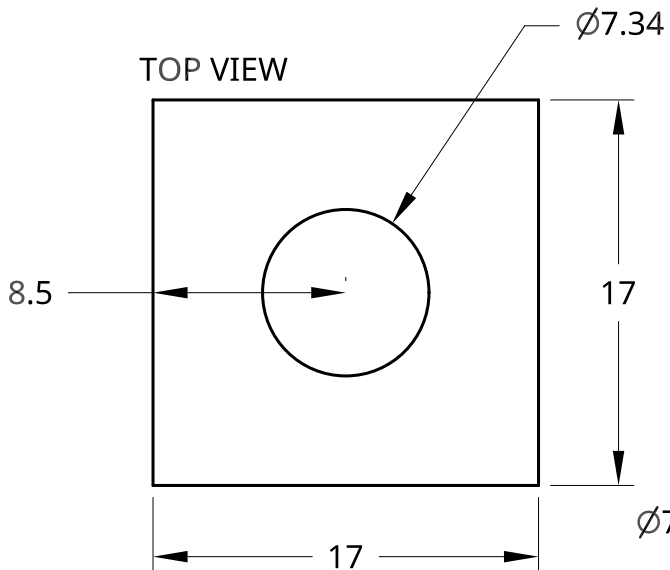


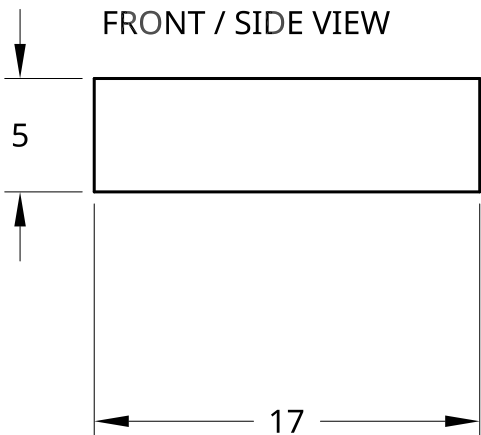
2

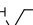

1

TOP VIEW



FRONT / SIDE VIEW



UNLESS OTHERWISE SPECIFIED, DIMENSIONS ARE IN MILLIMETERS  ANGULAR = $\pm$ °  SURFACE FINISH 	DRAWN	Dillon Tillock	11/20/2017	TITLE ----- ----- -----	
	CHECKED				
	APPROVED				
	DO NOT SCALE DRAWING				
BREAK ALL SHARP EDGES AND REMOVE BURRS				SIZE <b>A</b>	DWG NO. -----
THIRD ANGLE PROJECTION 	MATERIAL	FINISH		SCALE 3:1	WEIGHT
				SHEET	1 of 1

2

1

B

A

B

A