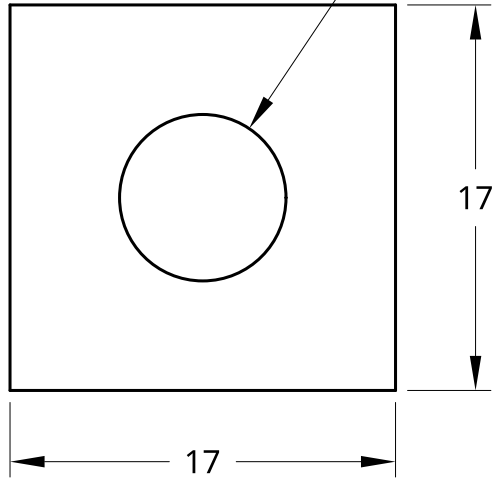


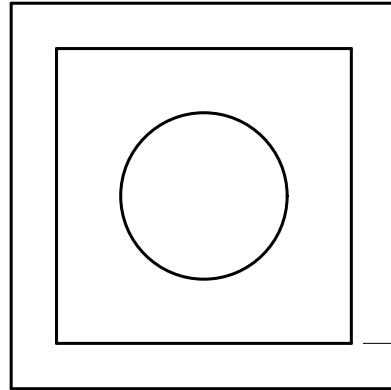
2

1

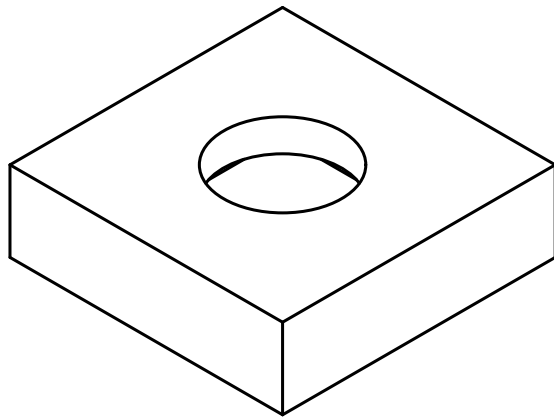
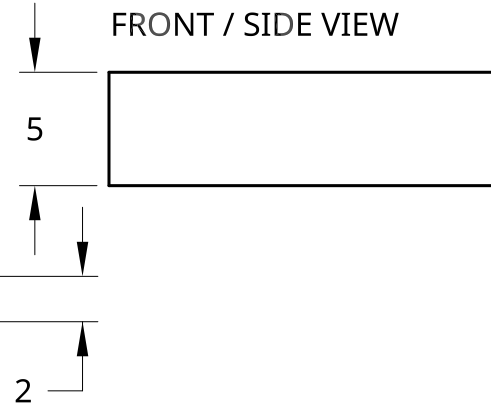
TOP VIEW



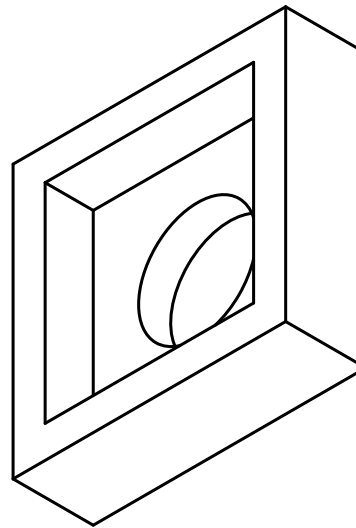
BOTTOM VIEW





FRONT / SIDE VIEW



ISOMETRIC VIEW



ISOMETRIC VIEW

UNLESS OTHERWISE SPECIFIED, DIMENSIONS ARE IN MILLIMETERS ANGULAR = ± ° SURFACE FINISH  DO NOT SCALE DRAWING BREAK ALL SHARP EDGES AND REMOVE BURRS THIRD ANGLE PROJECTION 	DRAWN	NAME	DATE	TITLE ----- ----- -----		
	CHECKED	Rebecca Heritage	11/08/2017			
	APPROVED					
	MATERIAL	FINISH	SIZE	DWG NO.	REV.	
			A	-----	-	
			SCALE 3:1	WEIGHT	SHEET 1 of 1	

2

1

B

B

A

A