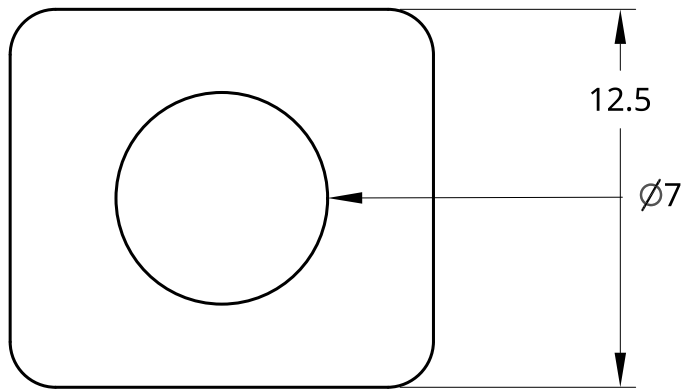


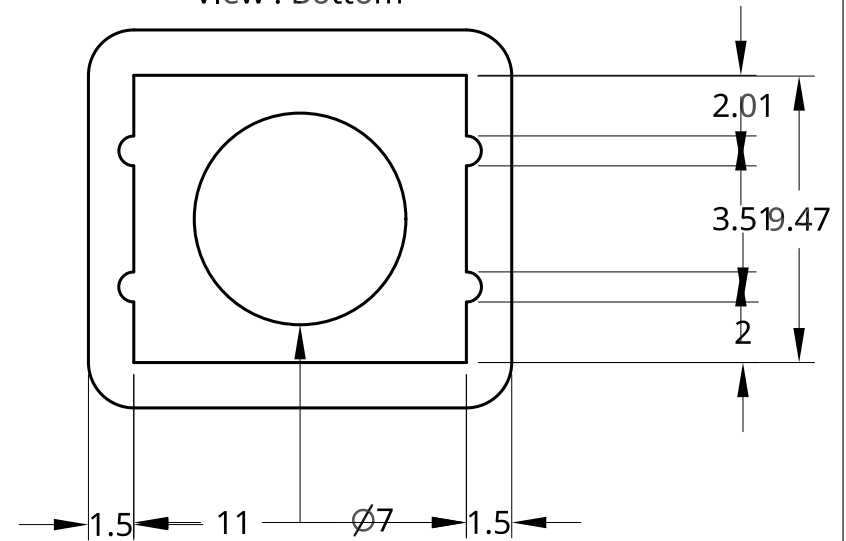
2

1

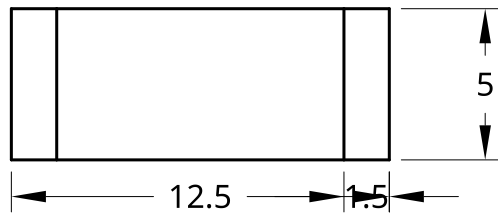
View : Top



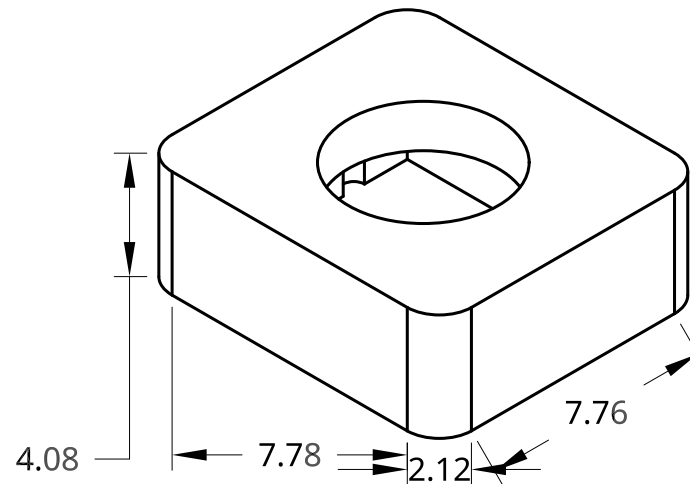
View : Bottom

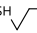
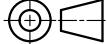


View : Side



View: isometric



UNLESS OTHERWISE SPECIFIED, DIMENSIONS ARE IN MILLIMETERS		NAME	DATE		
ANGULAR = ± °	DRAWN	Kiara Wright	11/15/2017	TITLE	
SURFACE FINISH 	CHECKED			---	
DO NOT SCALE DRAWING	APPROVED			---	
BREAK ALL SHARP EDGES AND REMOVE BURRS				---	
THIRD ANGLE PROJECTION	MATERIAL	FINISH		SIZE	REV.
				A	-
				DWG NO.	
				SCALE	1 of 1
				4:1	
				WEIGHT	
				SHEET	

2

1

B

B

A

A