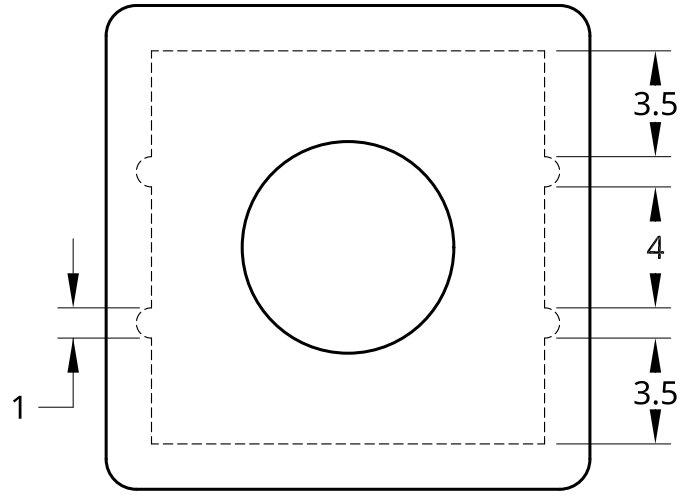
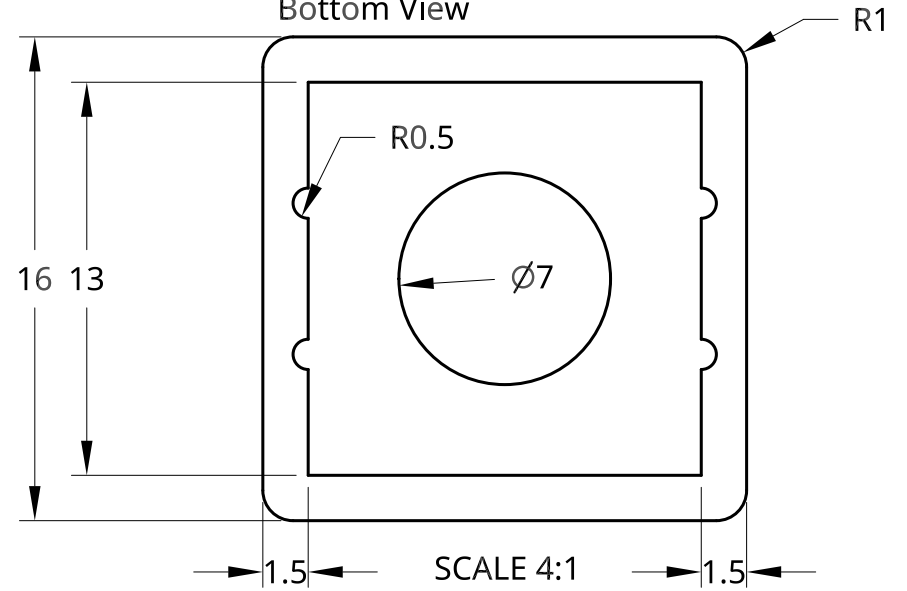


Top View



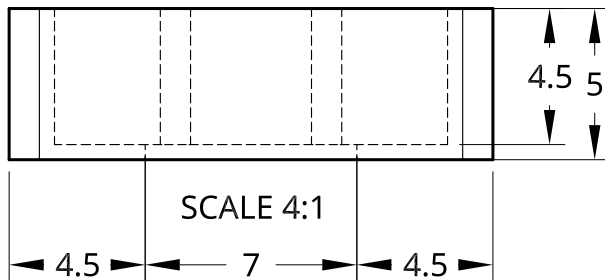
SCALE 4:1

Bottom View



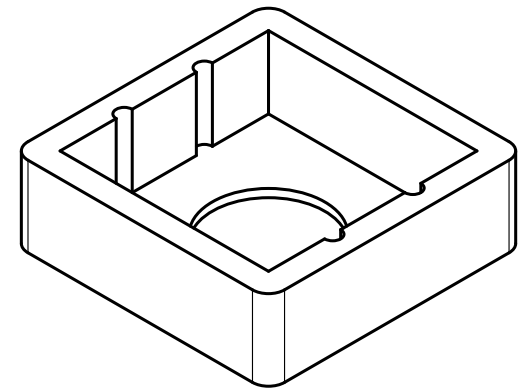
SCALE 4:1

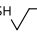
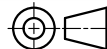
Side View



SCALE 4:1

Isometric View



UNLESS OTHERWISE SPECIFIED, DIMENSIONS ARE IN MILLIMETERS ANGULAR = ± ° SURFACE FINISH  DO NOT SCALE DRAWING BREAK ALL SHARP EDGES AND REMOVE BURRS THIRD ANGLE PROJECTION 	DRAWN	NAME	DATE	TITLE Button Cover V3 SIZE A DWG NO. ----- REV. - SCALE 4:1 WEIGHT SHEET 1 of 1		
	CHECKED	Alberto Tulcan	11/15/2017			
	APPROVED					
	MATERIAL	FINISH				
	ABS/PLA					