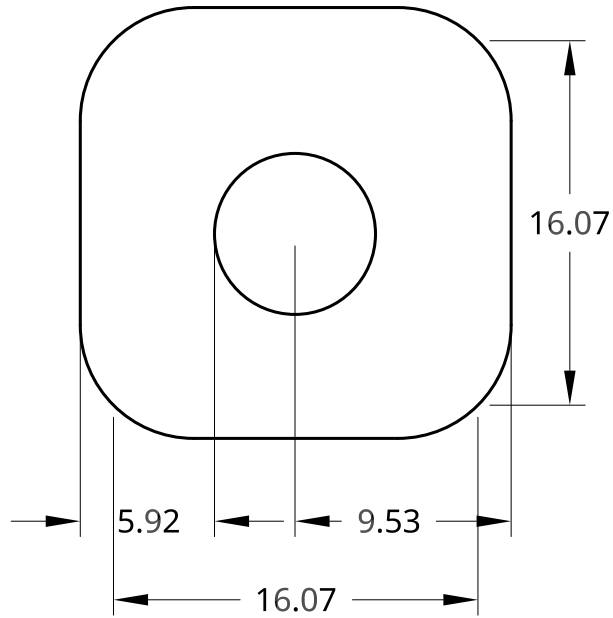


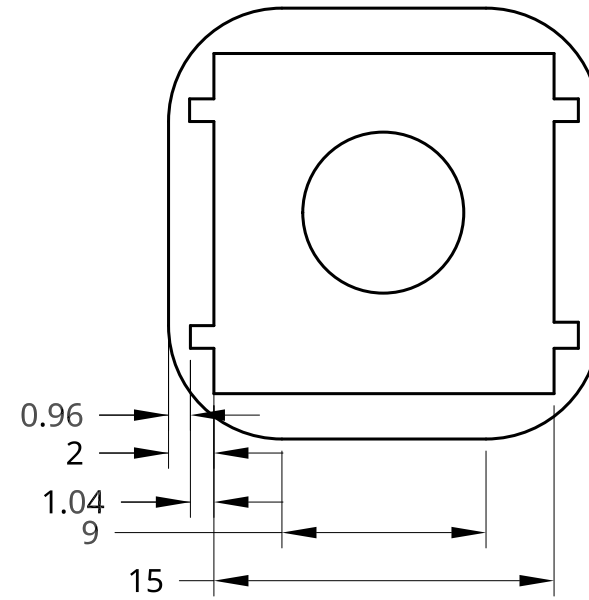
2

1

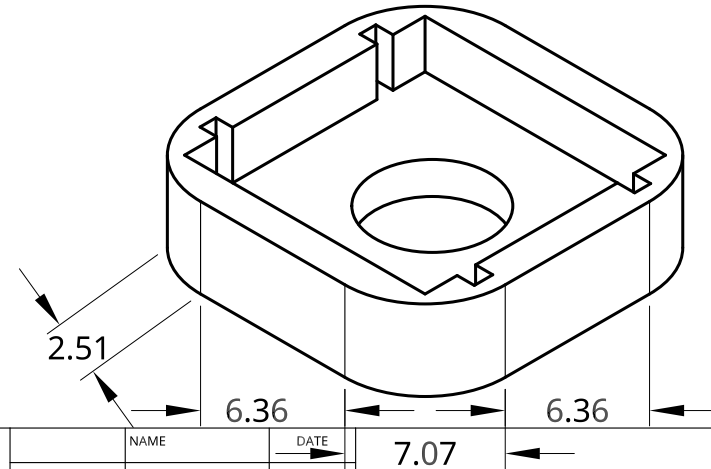
VIEW: Top



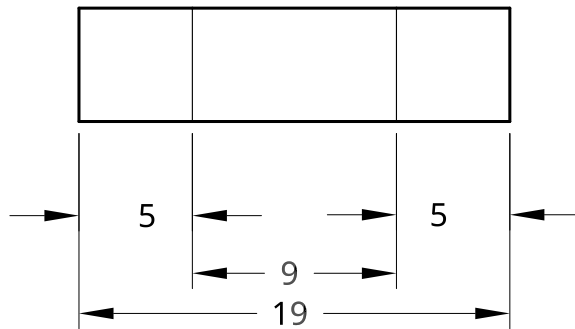
VIEW: Bottom



VIEW: Isometric



VIEW: Side



UNLESS OTHERWISE SPECIFIED, DIMENSIONS ARE IN MILLIMETERS		NAME	DATE	7.07	
ANGULAR = ± °	DRAWN	Anthony Rivera	11/15/2017	TITLE	
SURFACE FINISH	CHECKED			Anthony Button Cap V2	
DO NOT SCALE DRAWING	APPROVED			---	
BREAK ALL SHARP EDGES AND REMOVE BURRS	MATERIAL	FINISH		SIZE	REV.
THIRD ANGLE PROJECTION				A	-
				SCALE	1 of 1
				3:1	
				WEIGHT	
				SHEET	

2

1

B

B

A

A