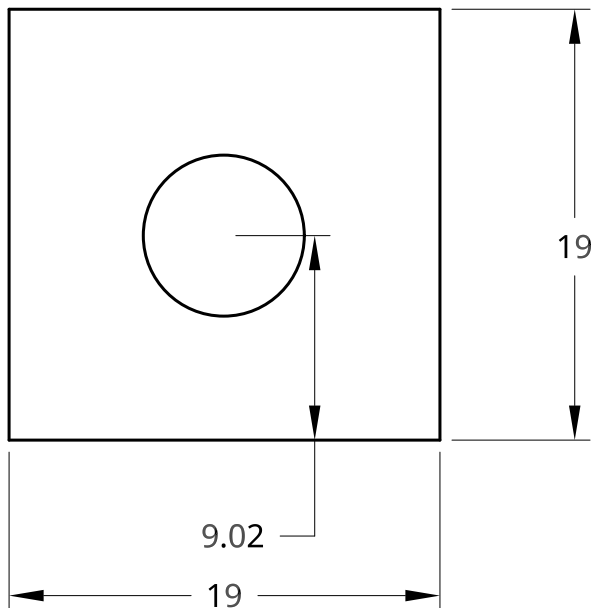


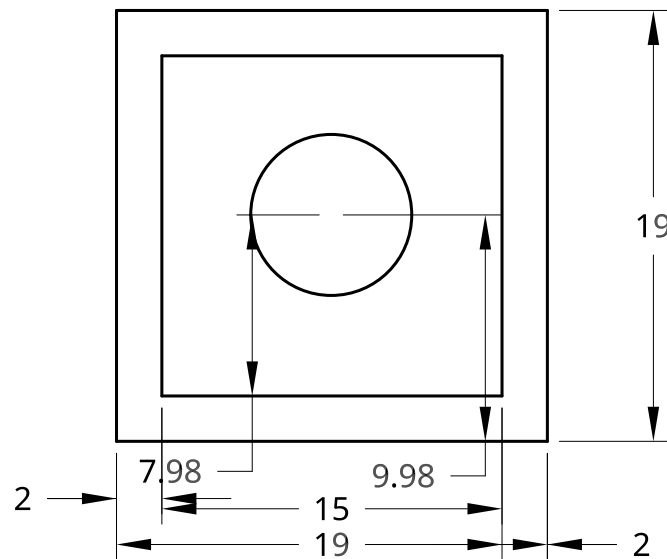
2

1

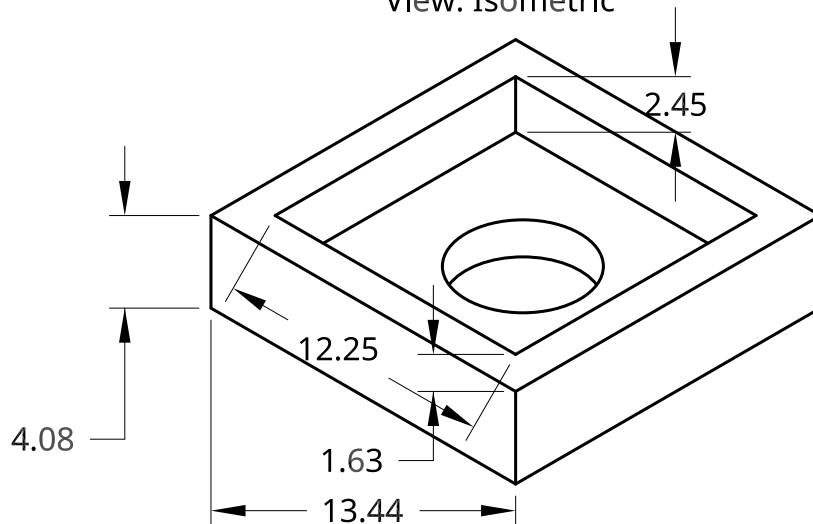
View: Top



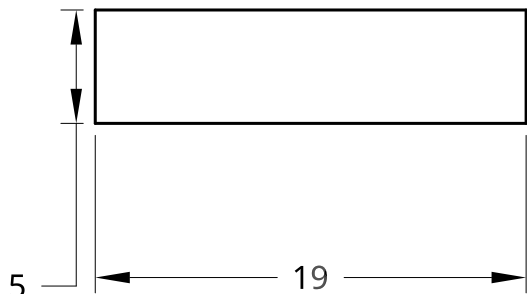
View: Bottom



View: Isometric



View: Side



UNLESS OTHERWISE SPECIFIED,
DIMENSIONS ARE IN MILLIMETERS

ANGULAR = ± °

SURFACE FINISH

DO NOT SCALE DRAWING

BREAK ALL SHARP EDGES AND
REMOVE BURRS

THIRD ANGLE PROJECTION

	NAME	DATE
DRAWN	Anthony Rivera	11/20/2017
CHECKED		
APPROVED		
MATERIAL		FINISH

TITLE		
Anthony Button Cap V1		
SIZE	DWG NO.	REV.
A		-
SCALE	WEIGHT	SHEET
3:1		1 of 1

2

1

B

B

A

A