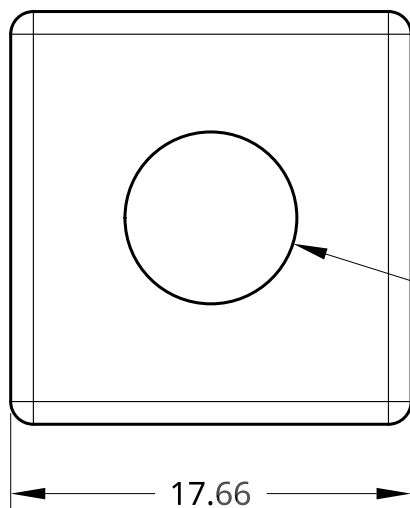


2

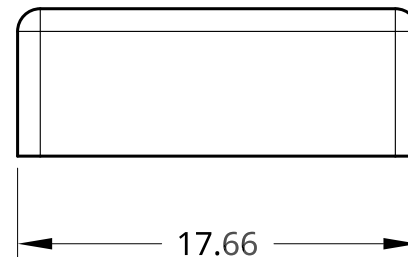
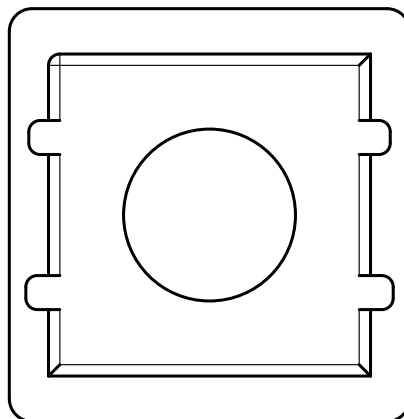
1

TOP

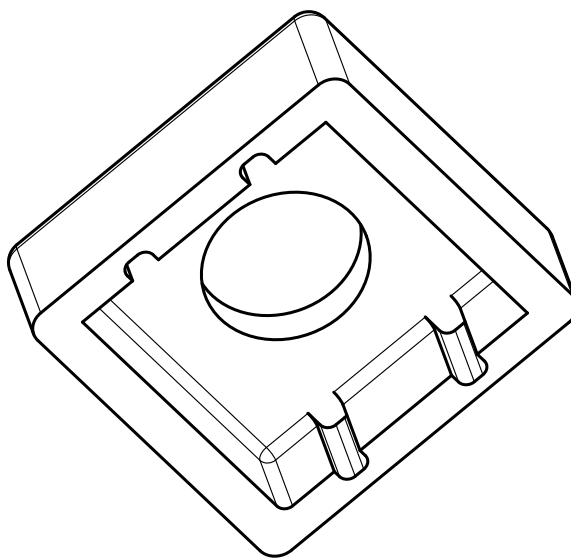
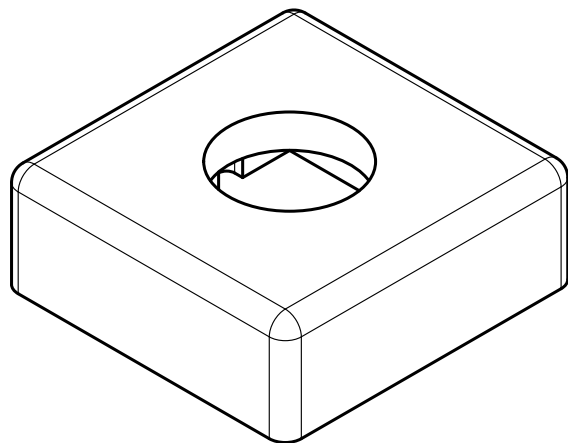


Ø7.58

17.66



17.66



B


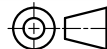
B

A

A

2

1

| | | | | | | |
|--|----------|------------------|------------|----------------------------------|--------|---------|
| UNLESS OTHERWISE SPECIFIED, DIMENSIONS ARE IN MILLIMETERS ANGULAR = ± ° SURFACE FINISH  DO NOT SCALE DRAWING BREAK ALL SHARP EDGES AND REMOVE BURRS THIRD ANGLE PROJECTION  | DRAWN | NAME | DATE | TITLE ----- ----- ----- | | |
| | CHECKED | Rebecca Heritage | 11/08/2017 | | | |
| | APPROVED | | | | | |
| | | | | | SIZE | DWG NO. |
| | | | | A | ----- | - |
| | | | | SCALE | WEIGHT | SHEET |
| | | | | 3:1 | | 1 of 1 |