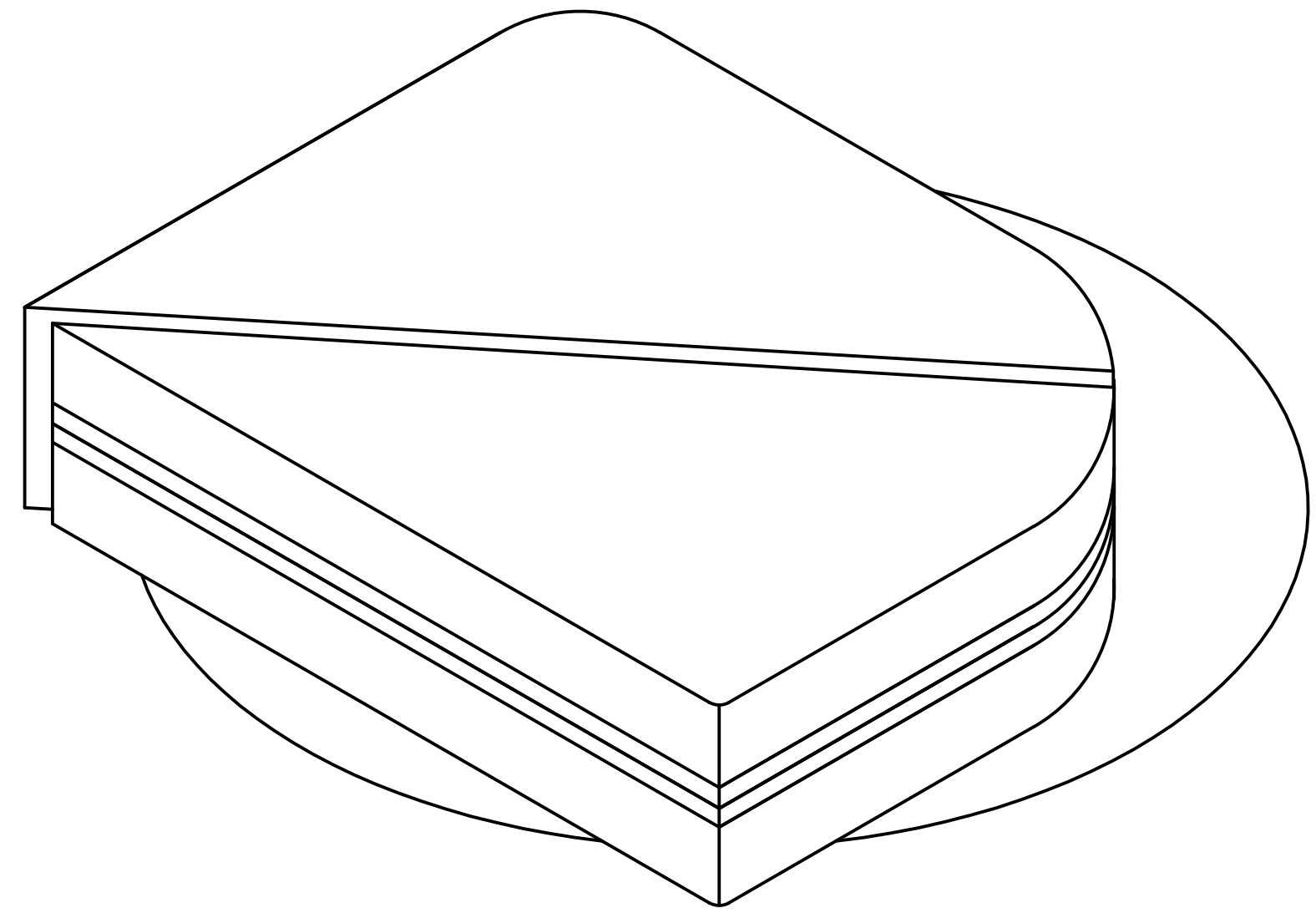
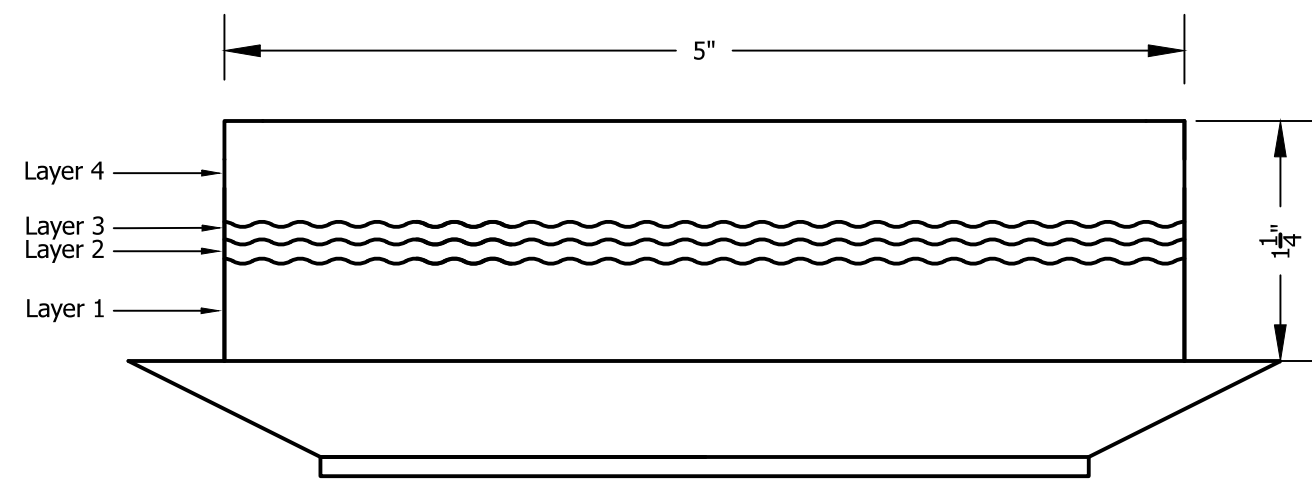


1 TOP VIEW
P.1 PBJ SANDWICH 1'-0" = 1'-0"



1 ISOMETRIC VIEW
P.1 PBJ SANDWICH 1'-0" = 1'-0"



1 FRONT VIEW
P.1 PBJ SANDWICH 1'-0" = 1'-0"

GENERAL NOTES:

1. ALL MATERIALS FOR LAYERS 1, 2, 3, 4 MUST BE FRESH AND EDIBLE;
2. LAYERS ASSIGN.: LAYER 1 - OATMEAL BREAD
LAYER 2 - CREAMY PEANUT BUTTER
LAYER 3 - GRAPE JELLY
LAYER 4 - OATMEAL BREAD;
3. DIAGONAL CUT MUST BE PERFORMED AFTER THE ENTIRE ASSEMBLY;
4. APPETIZER PLATE HAS TO BE WHITE;
5. TABLE KNIFE MUST BE USED TO SPREAD LAYERS 2 AND 3, AND TO PERFORM A DIAGONAL CUT;

NYC COLLEGE OF TECHNOLOGY	
ENT4410 - TECHNICAL DIRECTION	
PROBLEM #1 - PBJ-2K	PLATE No:
PBJ SANDWICH - TOP, FRONT & ISO VIEWS	1
SCALE: 1'-0" = 1'-0"	
DATE: 1/30/2014	
DRAFTER: GROUP I	OF: 1