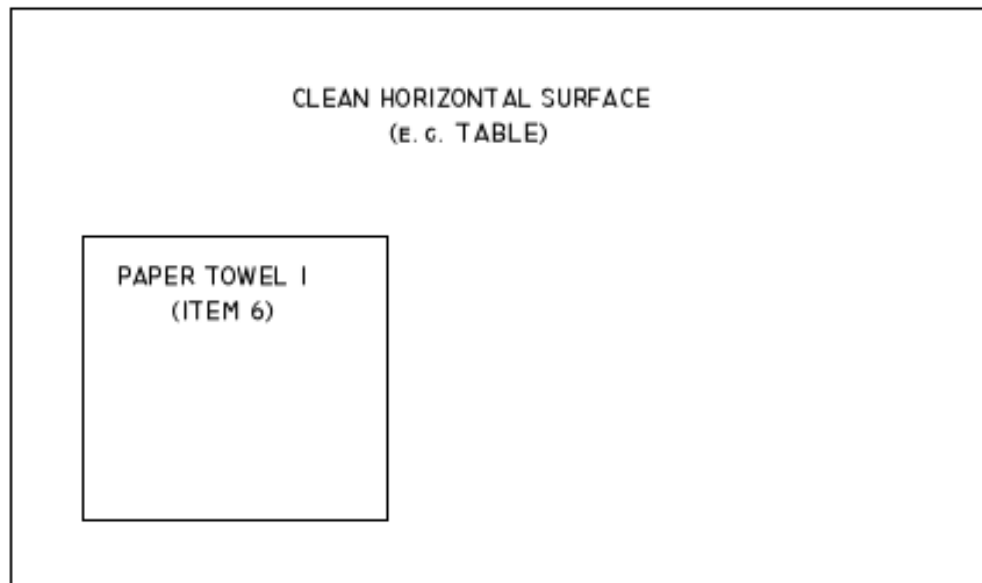


PBJ-2K SANDWICH ASSEMBLY INSTRUCTIONS

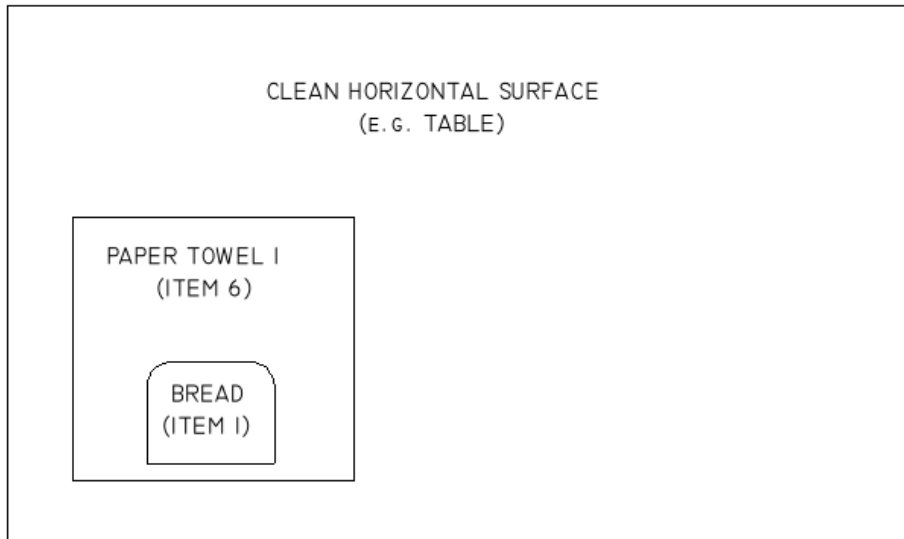
WARNING! Wash your hands prior to the assembly!

Directions:

1. Unload the truck completely;
2. Remove bubble wrap from every item;
3. Check all items using *Materials/Inventory List* (provided);
4. Take one paper towel (Item 6) and put it on the clean horizontal surface (table preferred);

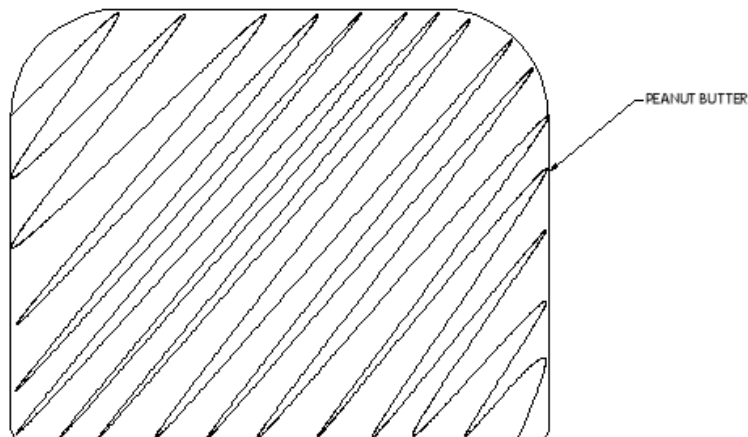


5. Get 1 slice of oatmeal bread (Item 1) and place it, lying down, on top of the paper towel from step 4;



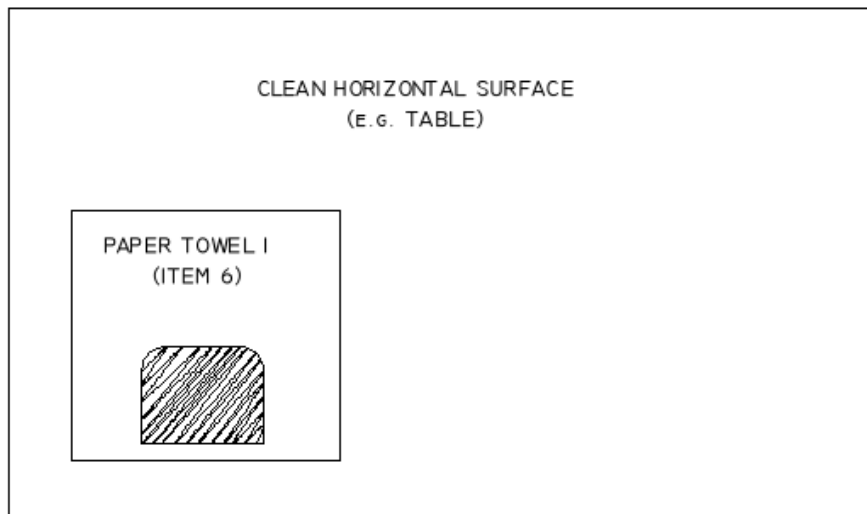
1 TOP VIEW
P2 PBJ ASSEMBLY - STEP 5 NTS

6. Take "SMUCKER'S" peanut butter jar (Item 2) and open it;
7. Using table knife (Item 5) spread the peanut butter evenly across the slice of bread from step 5;



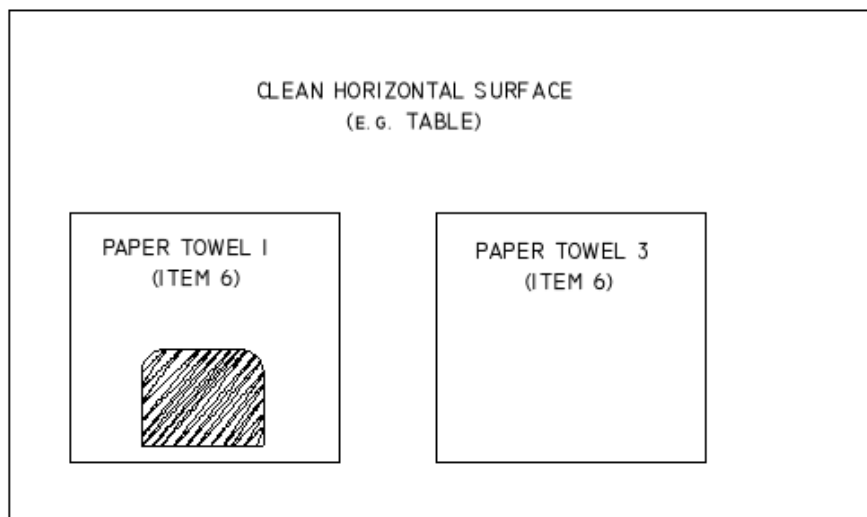
1 TOP VIEW - DETAIL
3 PBJ ASSEMBLY - STEP 7 NTS

- Put the resulting piece (step 7) back on the paper towel, with the peanut butter side up;



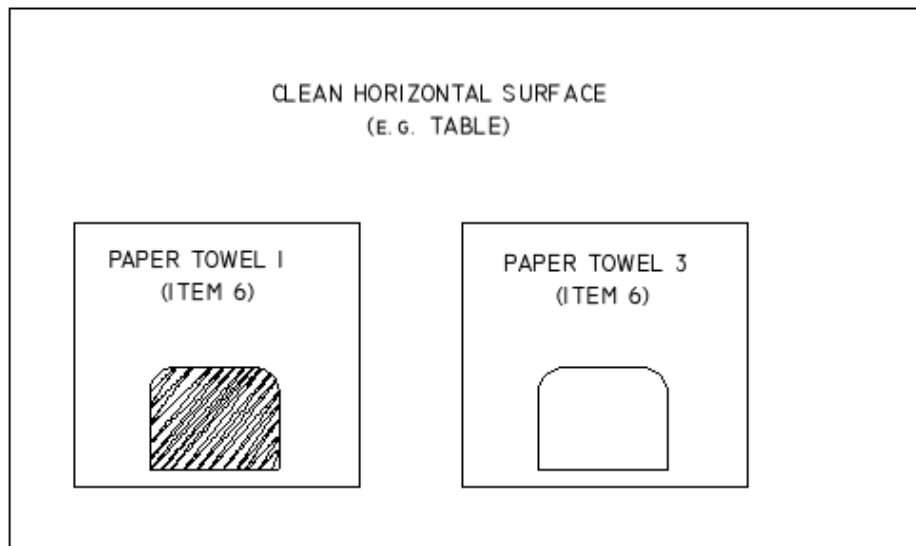
1 TOP VIEW
P.4 PBJ ASSEMBLY - STEP 8 NTS

- Get another paper towel (Item 6) and clean the knife with it. **CAUTION:** Be careful! Don't hurt yourself!
- Take the third paper towel (Item 6) and put it on the clean horizontal surface right next to the first paper towel;



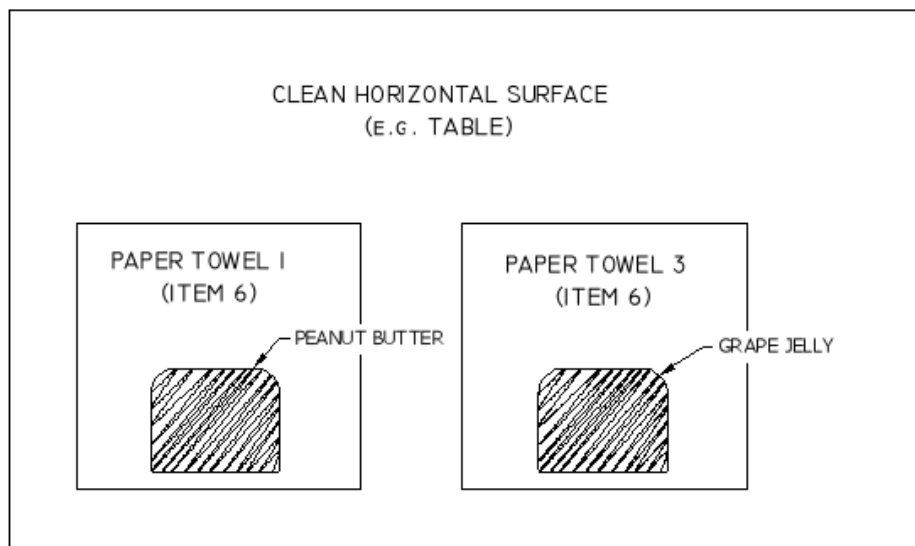
1 TOP VIEW
P.5 PBJ ASSEMBLY - STEP 10 NTS

11. Get another slice of oatmeal bread (Item 1) and place it, lying down, on top of the paper towel from step 10;



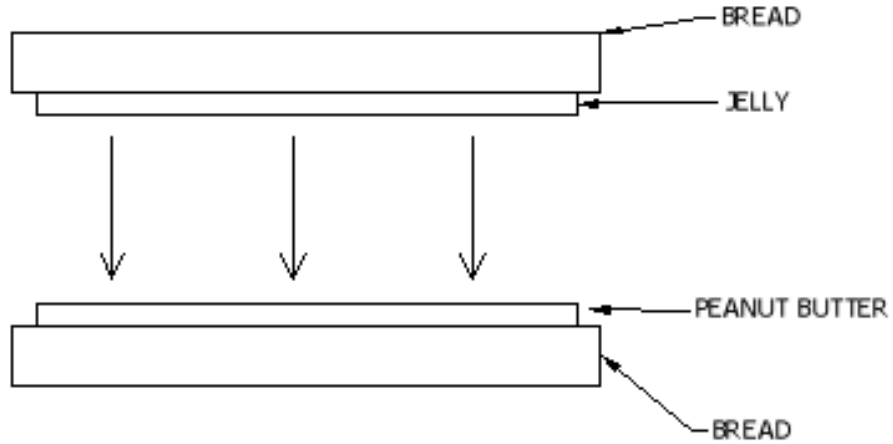
1 TOP VIEW
P.6 PBJ ASSEMBLY - STEP 11 NTS

12. Take “Cascadian Farm” concord grape jelly (Item 3) and open it;
13. Using table knife (Item 5), spread the jelly across the slice of bread from step 11;



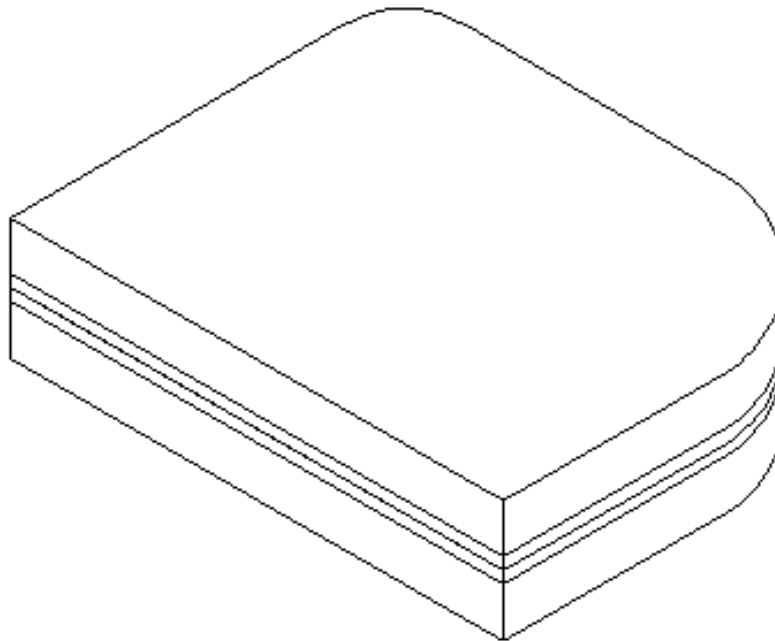
1 TOP VIEW
P.7 PBJ ASSEMBLY - STEP 13 NTS

14. Take the resulting piece from step 13 (bread with jelly) and attach it to the piece from step 7 (bread and peanut butter), so that the peanut butter and jelly are facing each other and are joined together tightly;



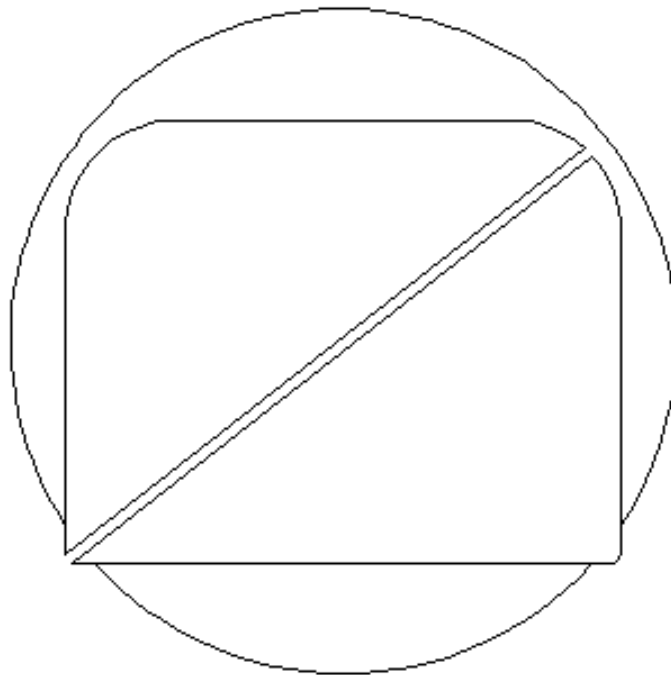
1 FRONT VIEW
PB PBJ ASSEMBLY - STEP 14 NTS

15. Align the sides of the bread slices so that their shapes match exactly;



1 ISOMETRIC VIEW
9 PBJ ASSEMBLY - STEP 15 NTS

16. Take the fourth paper towel (Item 6) and clean the knife again;
17. Get white appetizer plate (Item 4) and place it on the horizontal surface (table preferred);
18. Place the sandwich (steps 14-15) on the center of the plate (Item 4);
19. Using table knife (Item 5), perform deep diagonal cut on the sandwich, from the top right to the bottom left corner, then space the two resulting pieces $\frac{1}{8}$ " apart;



1 TOP VIEW
P.9 PBJ ASSEMBLY - STEP 19 NTS

20. Get the 5th paper towel (Item 6) and clean your hands with it. You can also clean the knife with the paper towels used in steps 4 and 10.