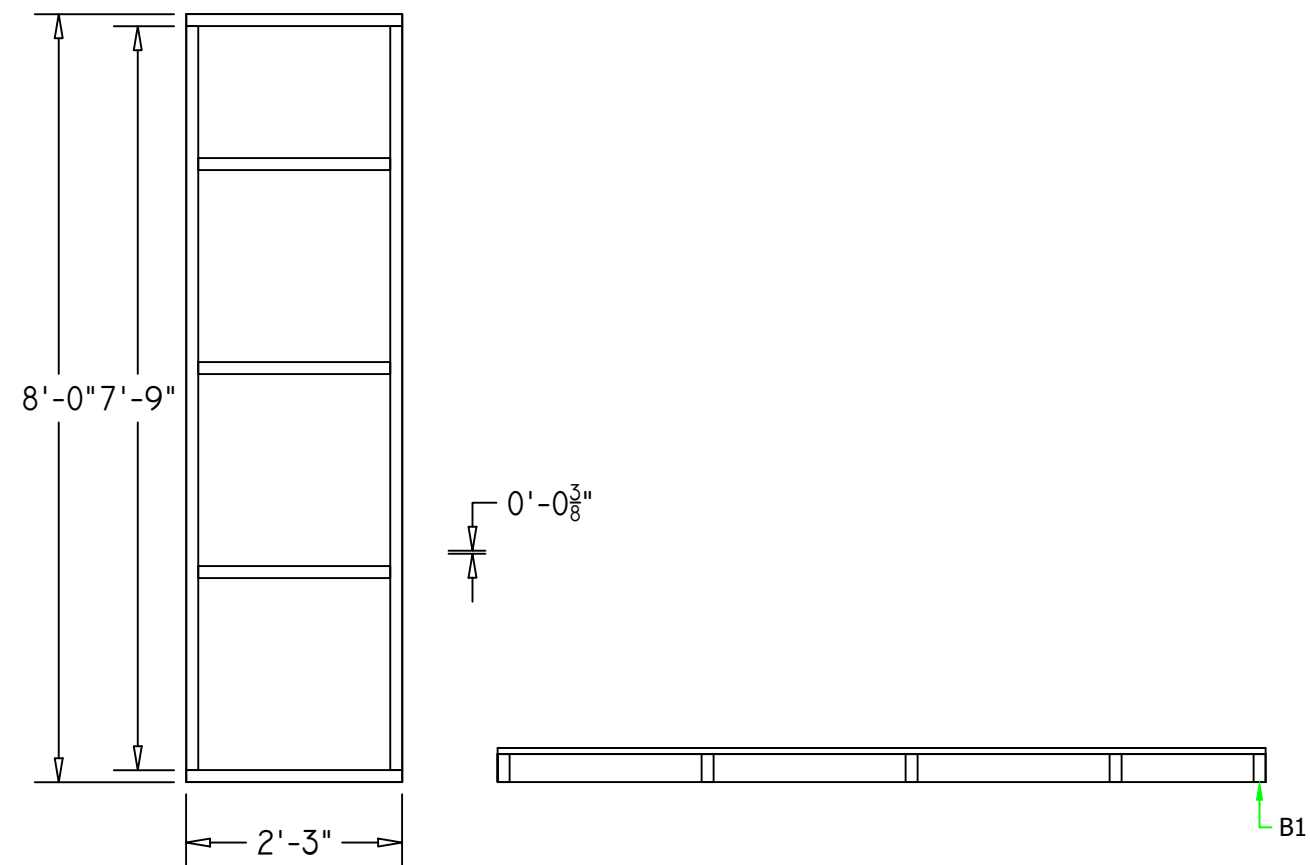


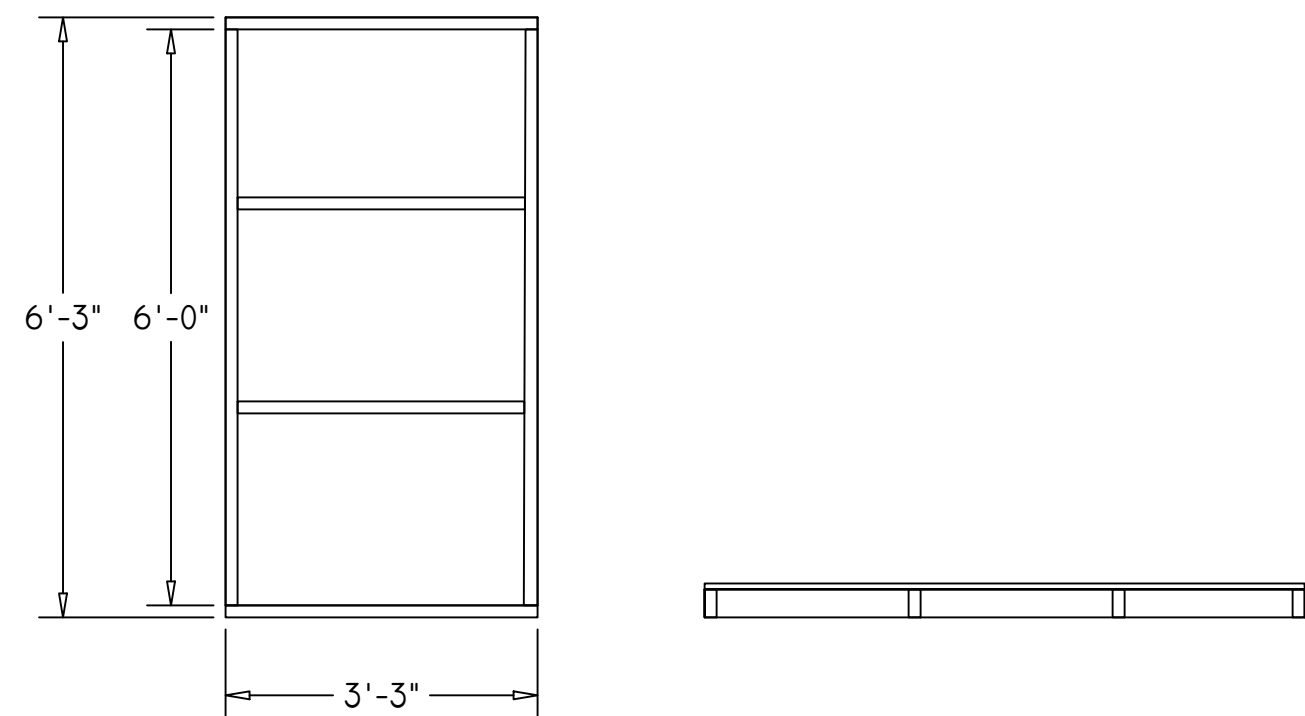
1 Platform A  
1 Top 1/2"-1"

- BUILT WITH 2X4 WOOD
- 15 COVERED WITH  $\frac{3}{4}$  PLYWOOD
- TOTAL OF 6 NEEDS TO BE BUILT -FASTENED WITH 16D NAILS
- 3/8 WOOD PANELS PLACED ON TOP FOR DS AREA



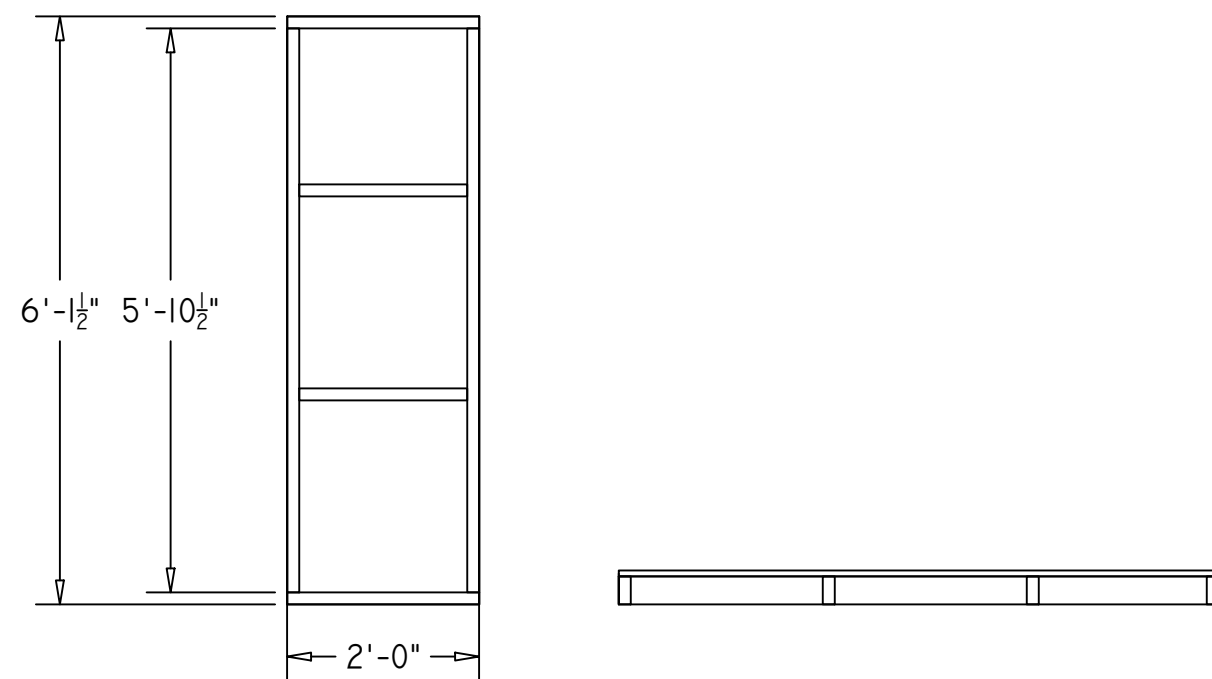
2 Platform B  
1 Top 1/2"-1"

- BUILT WITH 2X4 WOOD
- 6 COVERED WITH  $\frac{3}{4}$  PLYWOOD
- TOTAL OF 6 NEEDS TO BE BUILT -FASTENED WITH 16D NAILS
- 3/8 WOOD PANELS PLACED ON TOP FOR DS AREA



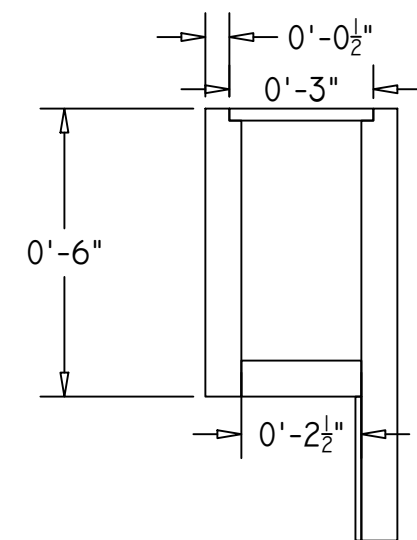
3 Platform C  
1 Top 1/2"-1"

- BUILT WITH 2X4 WOOD
- COVERED WITH  $\frac{3}{4}$  PLYWOOD
- TOTAL OF 4 NEEDS TO BE BUILT
- FASTENED WITH 16D NAILS



4 Platform D  
1 Top 1/2"-1"

- BUILT WITH 2X4 WOOD
- COVERED WITH  $\frac{3}{4}$  PLYWOOD
- 3/8" FLOOR PANELS PLACED ON TOP
- TOTAL OF 3 NEEDS TO BE BUILT
- FASTENED WITH 16D NAILS



5 Lighting trough Detail  
1 Top 3"-1"

- BUILT WITH 3/4 PLYWOOD
- FACED WITH PLEXI GLASS

NYC COLLEGE OF TECHNOLOGY	
ENT4410-Technical Direction	
Bandages Platforms	PLATE NO
PLATE #	1
SCALE: 1/2"-1"	
DATE: 3/30/2021	
DRAFTER: HENRY CRUZ	OF: 5

PRODUCED BY AN AUTODESK STUDENT VERSION

PRODUCED BY AN AUTODESK STUDENT VERSION