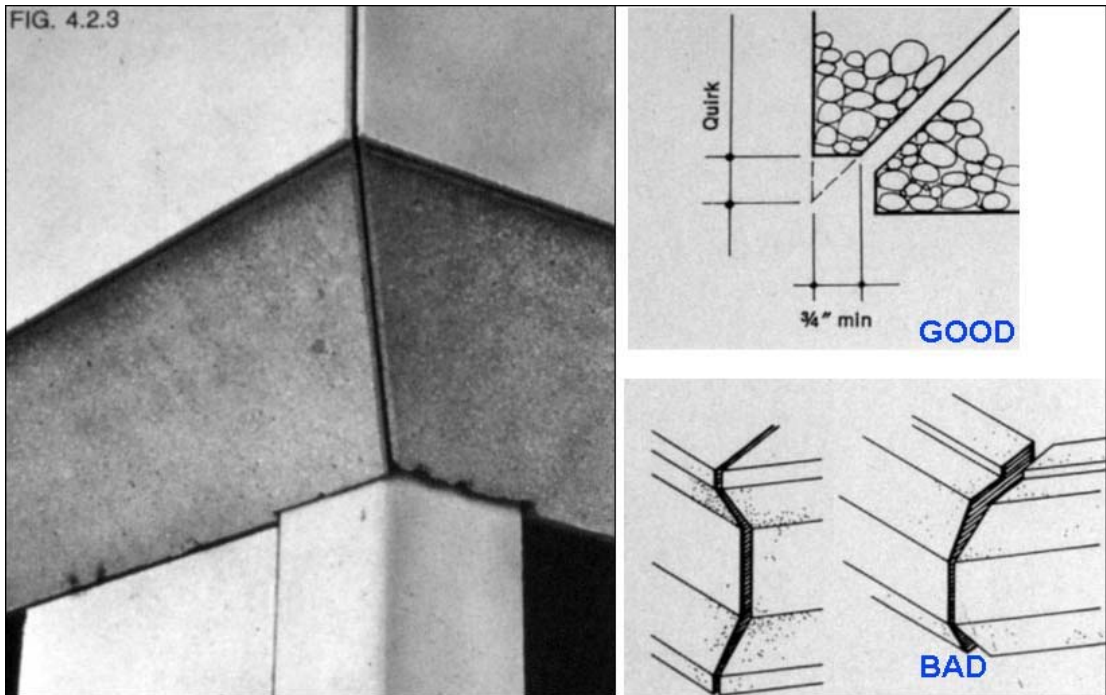
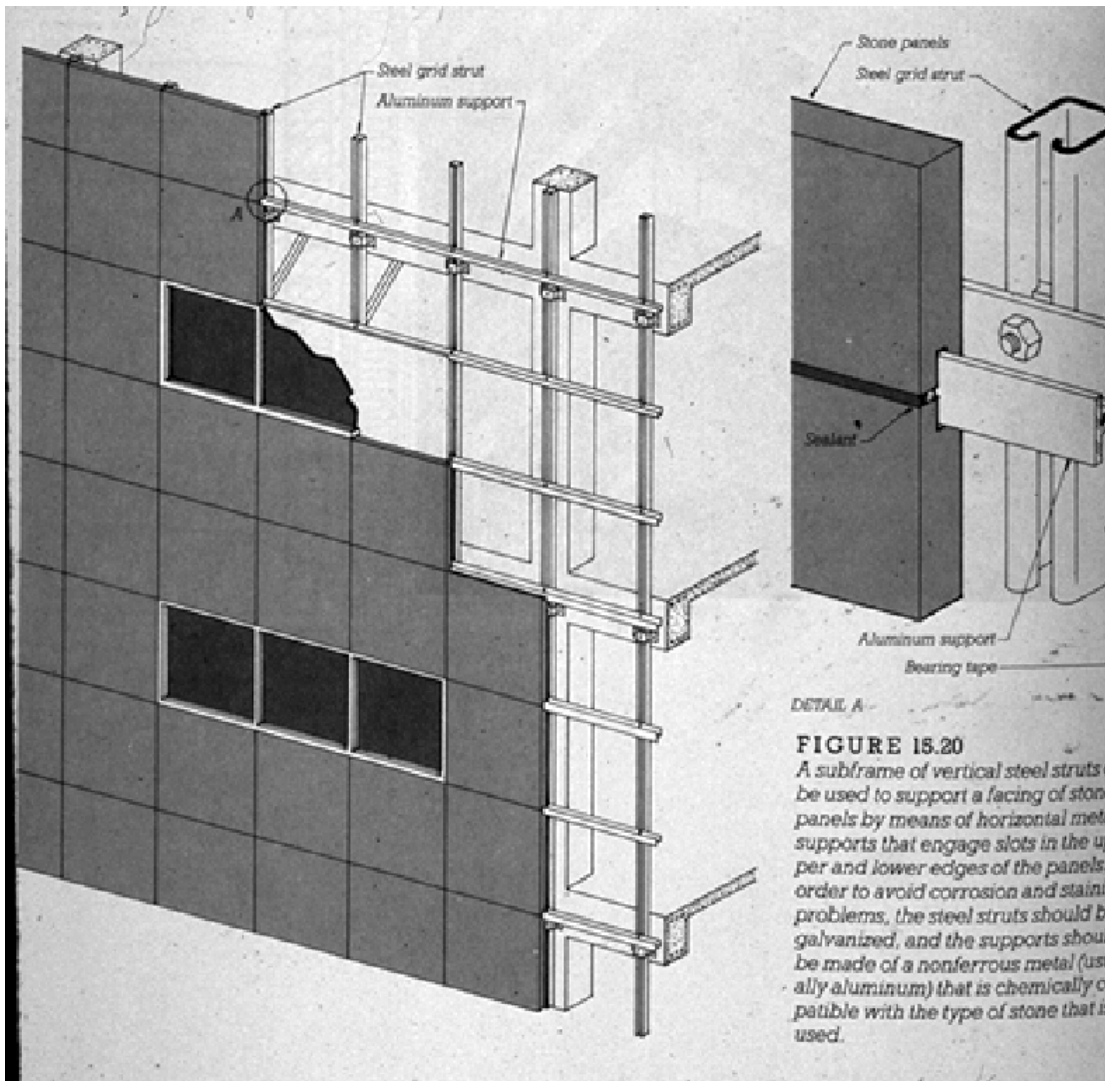


(pinterest.com)

[https://encrypted-tbn3.gstatic.com/images?q=tbnANd9GcQplkG-TJBrgQk-uNbdI9YRQbHPsKDIXH8526gPep\\_lprbnLG](https://encrypted-tbn3.gstatic.com/images?q=tbnANd9GcQplkG-TJBrgQk-uNbdI9YRQbHPsKDIXH8526gPep_lprbnLG)

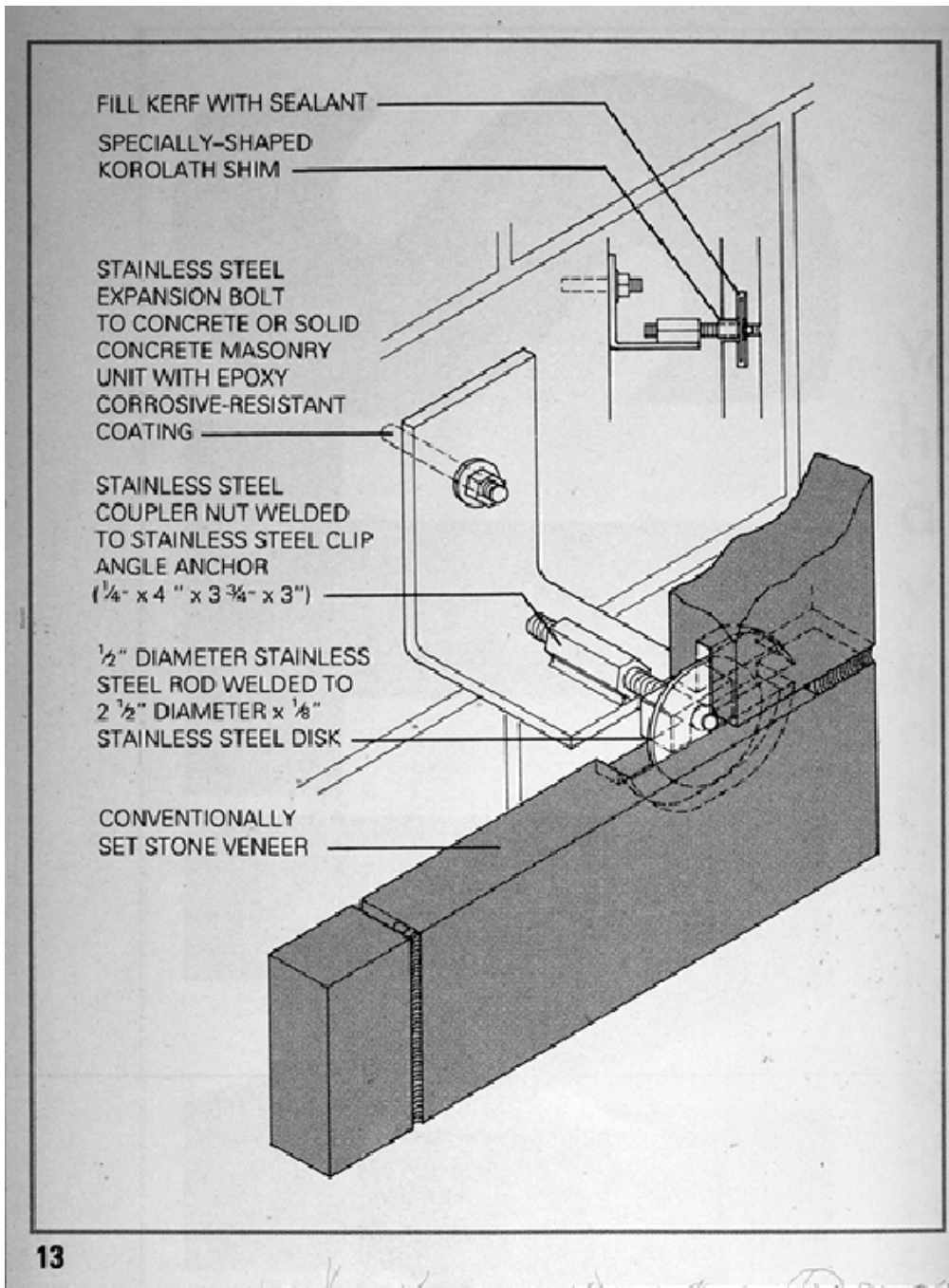


<https://courses.cit.cornell.edu/arch262/notes/images/11a-precaster03.jpg>



Rain Screen Cladding Diagram Stone Facing System

<http://www.columbia.edu/cu/qsapp/BT/EEI/AIR-H2O/0425-10.jpg>



[Rainscreen Cladding](#)

[Cavity Wall Construction](#)

<http://www.columbia.edu/cu/gsap/BT/EEI/AIR-H2O/0425-11.jpg>