

# ARRIS■tile

ARRIS■tile Renaissance® Units have become a favorite both for classic interior designs and for exterior applications in warm southern climates. ARRIS■tile Renaissance® Units can be adhered to suitable solid substrates. Developed for vertical wall applications, ARRIS■tile Renaissance® Units may be site cut, trimmed and finished to custom lengths, shapes or sizes.

Utilizing thinner cladding materials such as ARRIS■tile Renaissance® Units effectively reduces transportation and the structural components in the building envelope. This means a lower carbon footprint and lower costs may be achieved.

## Available standard features:

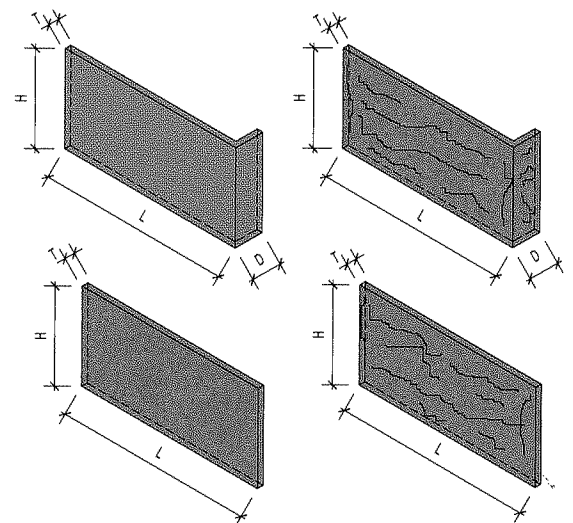
- Nominal 4", 8" and 12" face rises; nominal 24" lengths and 3/4" thickness
- Nine standard colors
- Rocked and Smooth textures
- Return corner units

## Optional features:

- Custom colors (minimum order quantities may apply)
- Custom profiles (Refer to the Thin-Clad Profiles Guide)



	HEIGHT (H)	LENGTH (L)	THICKNESS (T)	Depth (D)
<b>Corners:</b>	3-5/8"	≤ 22-7/8"	3/4"	3-5/8"
	7-5/8"	≤ 22-7/8"	3/4"	3-5/8"
	11-5/8"	≤ 22-7/8"	3/4"	3-5/8"
<b>Stretchers:</b>	3-5/8"	23-5/8"	3/4"	
	7-5/8"	23-5/8"	3/4"	
	11-5/8"	23-5/8"	3/4"	

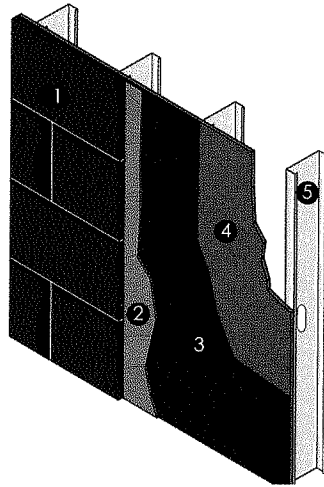


# INSTALLATION

## ARRIS■tile

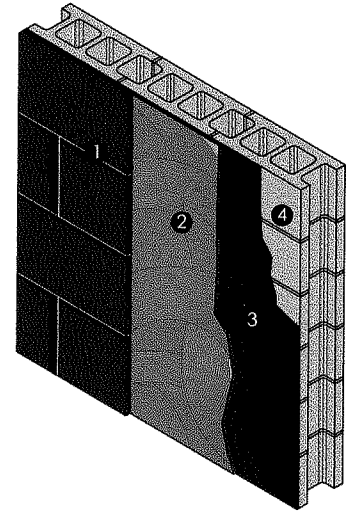
### Exterior/Interior - TCNA W244 (modified)

- 1 ARRIS■tile Renaissance® Units
- 2 Liquid latex modified thin-set mortar
- 3 Waterproofing for exterior applications
- 4 Cementitious backer board
- 5 Steel stud or wood stud



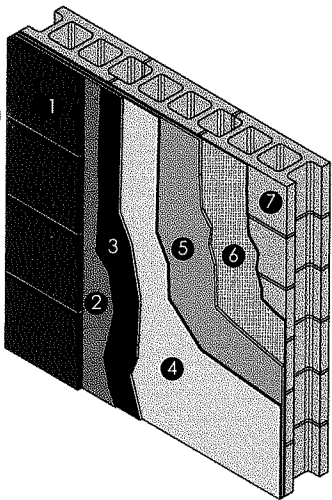
### Exterior/Interior - TCNA W202

- 1 ARRIS■tile Renaissance® Units
- 2 Liquid latex modified thin-set mortar
- 3 Waterproofing for exterior applications
- 4 Masonry or poured concrete wall



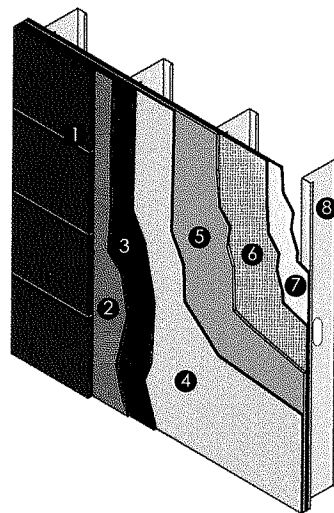
### Exterior/Interior - TCNA W201

- 1 ARRIS■tile Renaissance® Units
- 2 Liquid latex modified thin-set mortar
- 3 Waterproofing for exterior applications
- 4 Mortar bed
- 5 Scratch coat
- 6 Metal lath
- 7 Masonry or poured concrete wall



### Exterior/Interior - TCNA W241

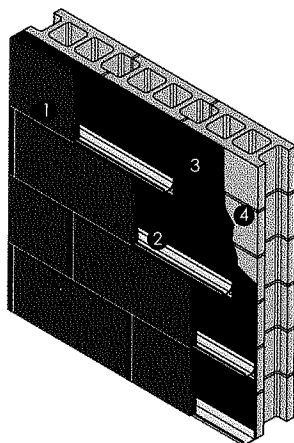
- 1 ARRIS■tile Renaissance® Units
- 2 Liquid latex modified thin-set mortar
- 3 Waterproofing for exterior applications
- 4 Mortar bed
- 5 Scratch coat
- 6 Metal lath
- 7 Cleavage membrane
- 8 Steel stud or wood stud



## ARRIS■clip

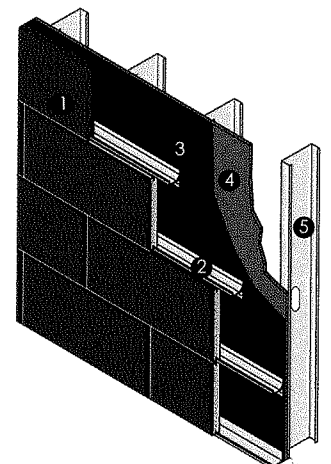
### Exterior/Interior

- 1 ARRIS■clip Renaissance® Units
- 2 Extruded aluminum channel support system
- 3 Waterproofing membrane for exterior applications
- 4 Masonry or poured concrete wall



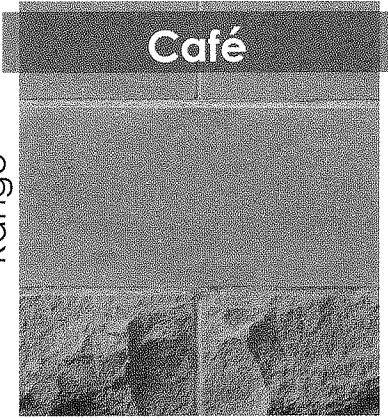
### Exterior/Interior

- 1 ARRIS■clip Renaissance® Units
- 2 Extruded aluminum channel support system
- 3 Waterproofing membrane for exterior applications
- 4 Exterior grade sheathing
- 5 Steel stud or wood stud



# COLORS

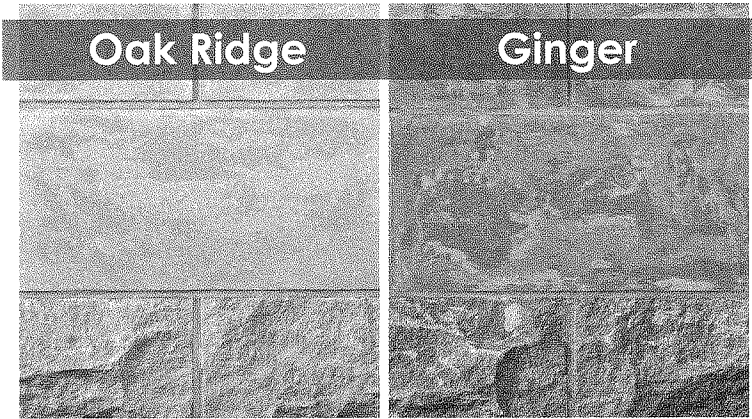
Monochromatic  
Range



Arriscraft offers a palette of ten standard colors, which range from subtle greys to rich browns. Each color is available in both smooth and rock finishes. The Natural Edge® proprietary production method ensures remarkably natural and unique color ranges and striations unmatched by other manufactured stone products.

**Monochromatic** colors consist of a single hue.

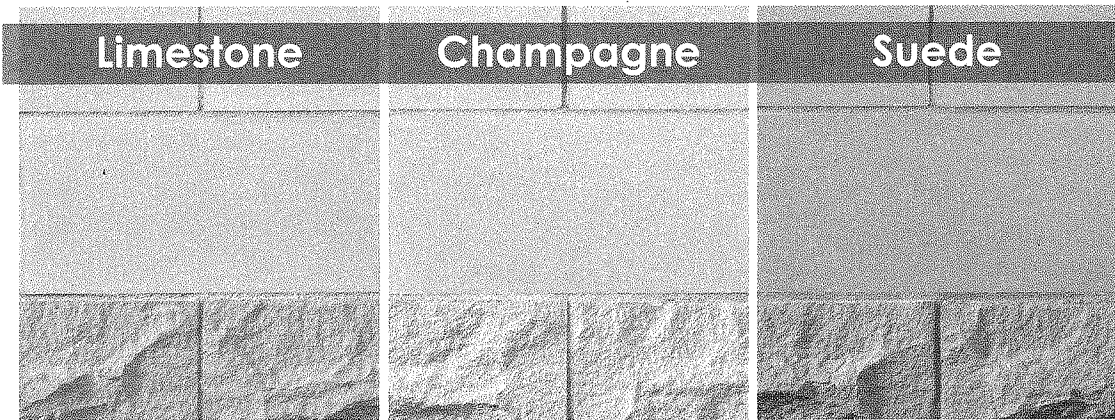
Striated



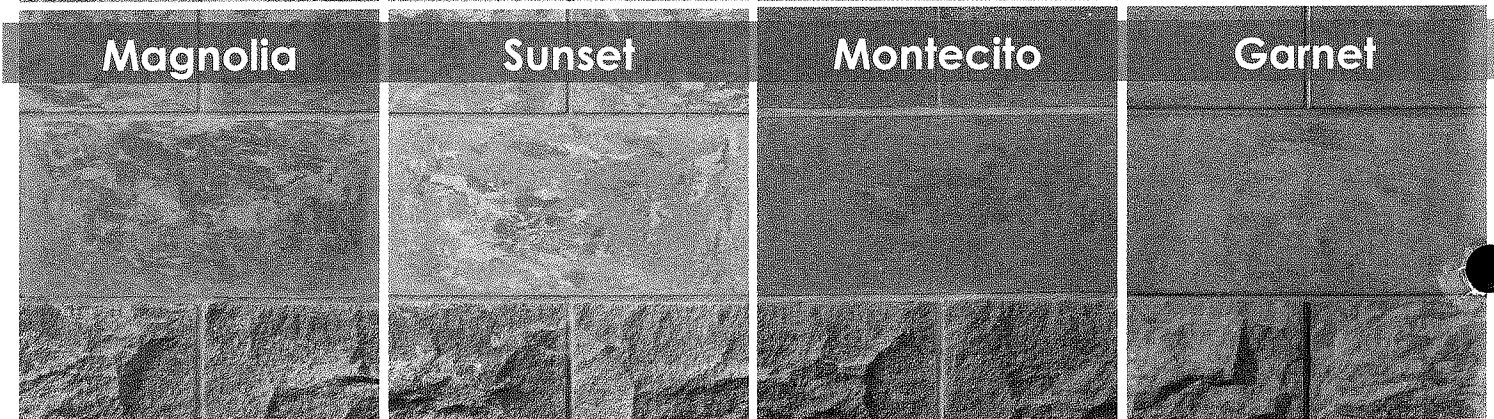
**Striated** colors are a multi-hue blend.

For those colors designated as **Range**, the distribution of colors or shades will vary from unit to unit.

Monochromatic



Striated Range



# THIN is in.

Take advantage of the most comprehensive set of thin-clad materials on the market today:

**ARRIS-tile:** Renaissance® tile that can be adhered to a suitable solid substrate

**ARRIS-clip:** Kerfed, thin Renaissance® units that are simply 'clipped' to a substrate using a channel system.

Thin-clad Renaissance® Units are versatile, surprisingly affordable and easy to install. Choose from the two available thin-clad systems to suit the requirements of your specific project. Thin-Clad Renaissance® Units have proven durability and come with the Arriscraft Lifetime Product Warranty. Thin-Clad Renaissance® Units will support "Green" product and design philosophies with attributes such as low embodied energy, reduced transportation, and a VOC-free finish for healthy interior spaces.

**ARRIS-tile** and **ARRIS-clip** Thin-Clad Renaissance corner units maintain the look and beauty of traditional full bed stone installations with all of the benefits associated with thinner wall systems. In addition, various custom profiles such as sill, watertable and bullnose profiles are available to complete the overall stone veneer. Maximum design versatility can be achieved by coordinating with our full-bed and ARRIS•cast products. Arriscraft International's proprietary production method ensures remarkably natural and unique color ranges and striations unmatched by other manufactured stone products.

Enhance your architectural design vision by using Thin-Clad Renaissance® Units.

Opposite Page:  
Douglas Grand at Winterpark  
Winterpark, FL  
Douglas Partners  
ARRIS•clip Renaissance® Units

Cover:  
Rutgers Livingston Student Center at Rutgers University  
Piscataway, NJ  
The Biber Partnership  
ARRIS•clip Renaissance® Units



# ARRIS■tile

ARRIS■tile Renaissance® Units have become a favorite both for classic interior designs and for exterior applications in warm southern climates. ARRIS■tile Renaissance® Units can be adhered to suitable solid substrates. Developed for vertical wall applications, ARRIS■tile Renaissance® Units may be site cut, trimmed and finished to custom lengths, shapes or sizes.

Utilizing thinner cladding materials such as ARRIS■tile Renaissance® Units effectively reduces transportation and the structural components in the building envelope. This means a lower carbon footprint and lower costs may be achieved.

## Available standard features:

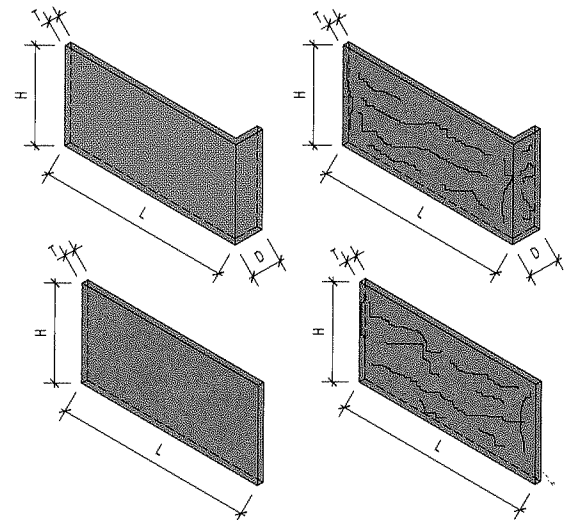
- Nominal 4", 8" and 12" face rises; nominal 24" lengths and 3/4" thickness
- Nine standard colors
- Rocked and Smooth textures
- Return corner units

## Optional features:

- Custom colors (minimum order quantities may apply)
- Custom profiles (Refer to the Thin-Clad Profiles Guide)



	HEIGHT (H)	LENGTH (L)	THICKNESS (T)	Depth (D)
<b>Corners:</b>	3-5/8"	≤ 22-7/8"	3/4"	3-5/8"
	7-5/8"	≤ 22-7/8"	3/4"	3-5/8"
	11-5/8"	≤ 22-7/8"	3/4"	3-5/8"
<b>Stretchers:</b>	3-5/8"	23-5/8"	3/4"	
	7-5/8"	23-5/8"	3/4"	
	11-5/8"	23-5/8"	3/4"	



# ARRIS-clip

ARRIS-clip Renaissance® Units are a revolutionary idea for the installation of a thin stone cladding system. These Thin-Clad units are simply clipped to a substrate on a pre-engineered channel system, an easy and efficient means of installation.

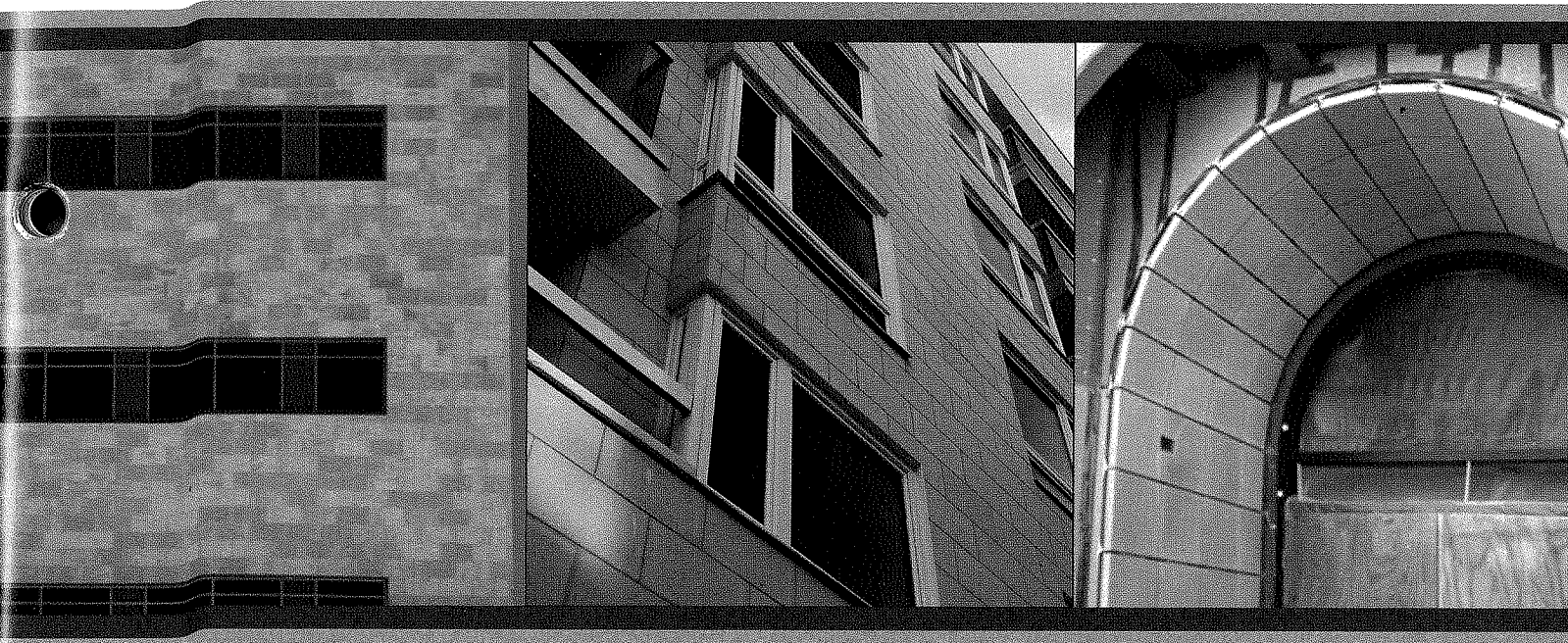
ARRIS-clip Renaissance® Units offer tremendous construction scheduling flexibility as they do not have to be installed sequentially. An ARRIS-clip façade facilitates all-weather construction as it is a mortarless system. ARRIS-clip maintains a drainage cavity behind the units making an ideal thin cladding system suitable for all climatic conditions. Replacement of damaged or graffiti-stained units is straightforward, further enhancing the cost efficiency and benefits of this system.

## Available standard features:

- Nominal 4", 8" and 12" face rises;
- nominal 24" lengths and 1-3/8" thickness
- Nine standard colors
- Rocked and Smooth textures
- Return corner units

## Optional features:

- Custom colors (minimum order quantities may apply)
- Custom profiles (Refer to the Thin-Clad Profiles Guide)



	HEIGHT (H)	LENGTH (L)	THICKNESS (T)	Depth (D)
<b>Corners:</b>	3-5/8"	≤ 22-7/8"	1-3/8"	3-5/8"
	7-5/8"	≤ 22-7/8"	1-3/8"	3-5/8"
	11-5/8"	≤ 22-7/8"	1-3/8"	3-5/8"
<b>Stretchers:</b>	3-5/8"	23-5/8"	1-3/8"	
	7-5/8"	23-5/8"	1-3/8"	
	11-5/8"	23-5/8"	1-3/8"	

