

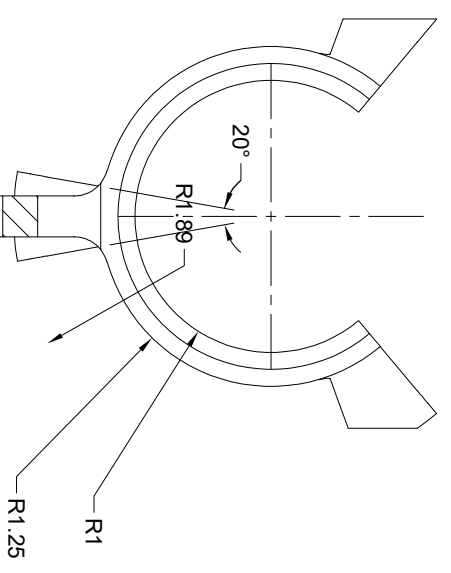
4

3

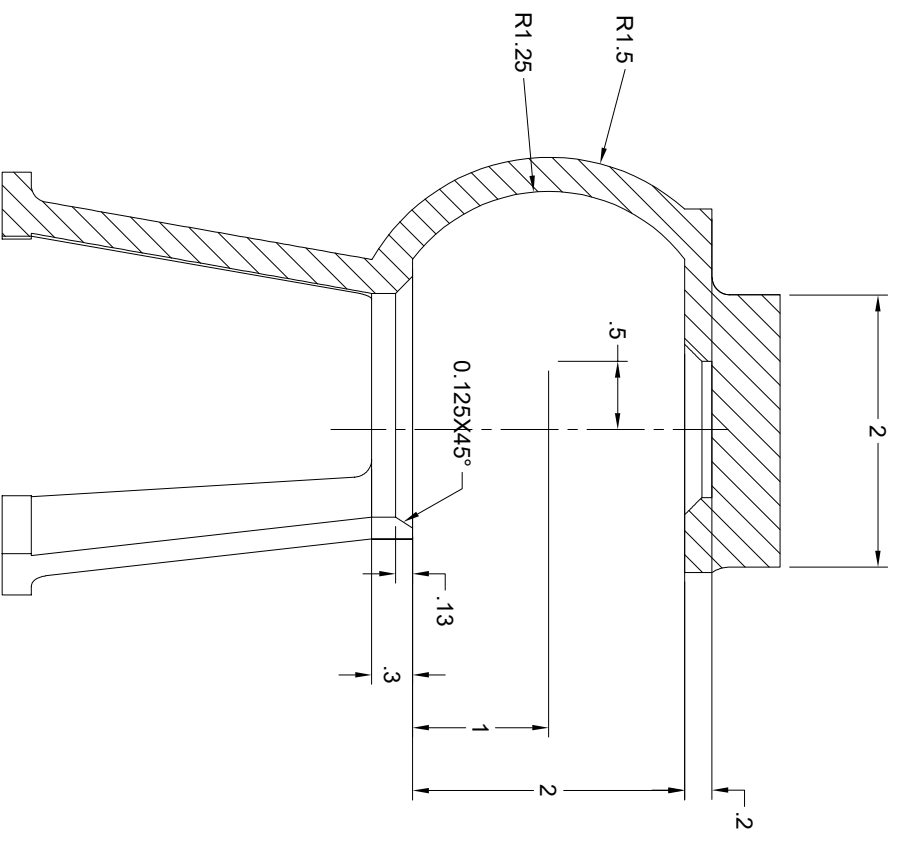
2

1

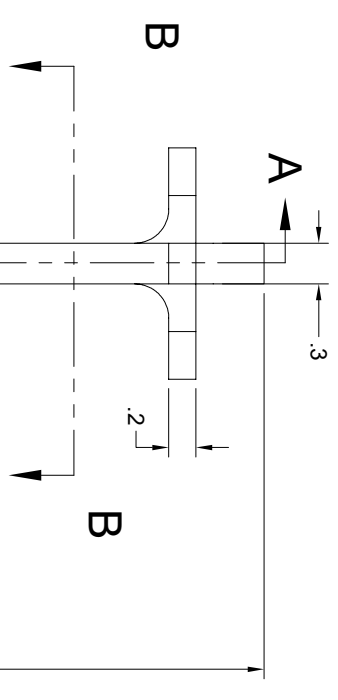
SECTION B-B
SCALE 1:1



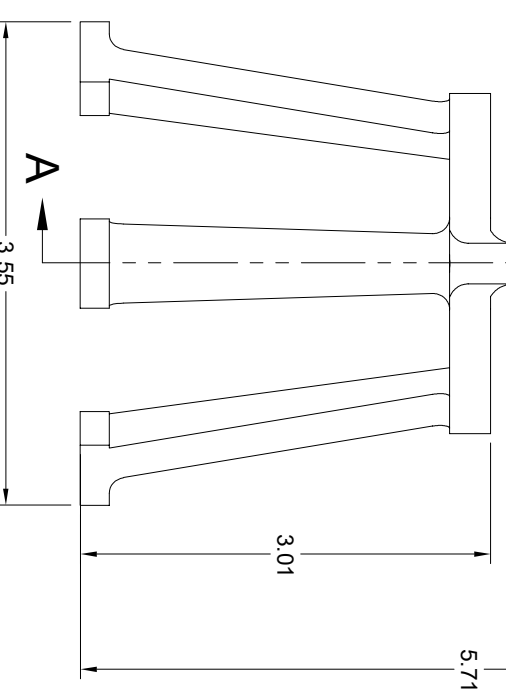
SECTION A-A
SCALE 1:1



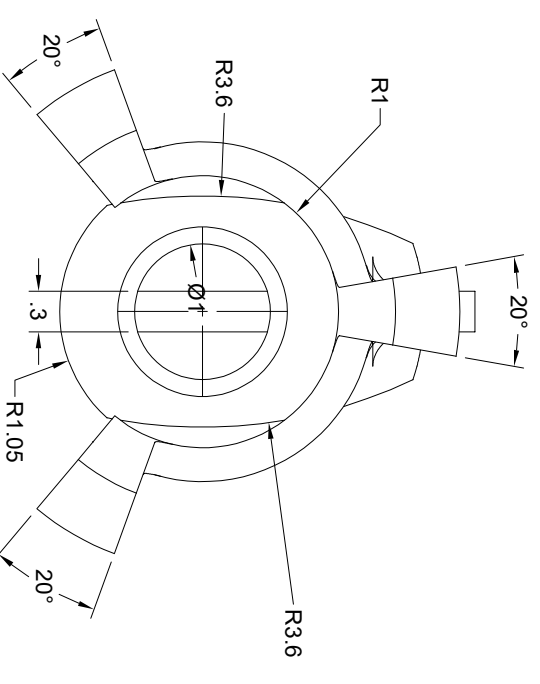
C



3



A



4

3

2

1

A

E

C

L