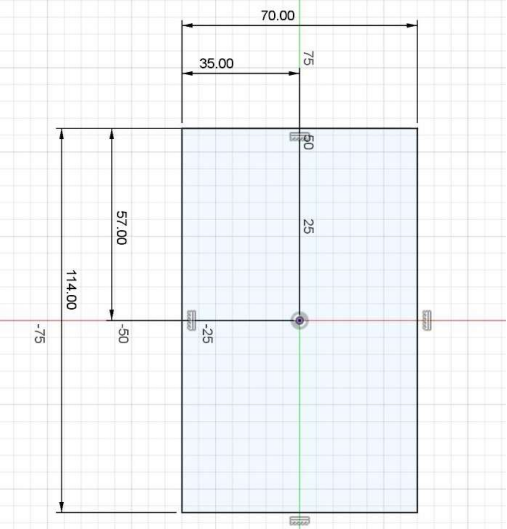
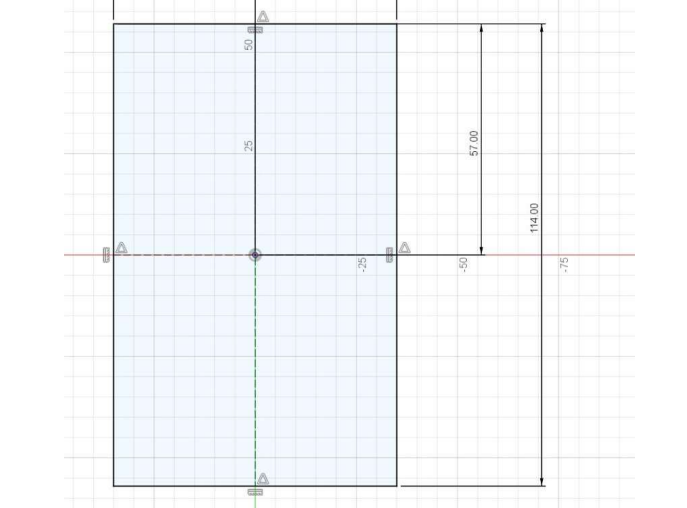
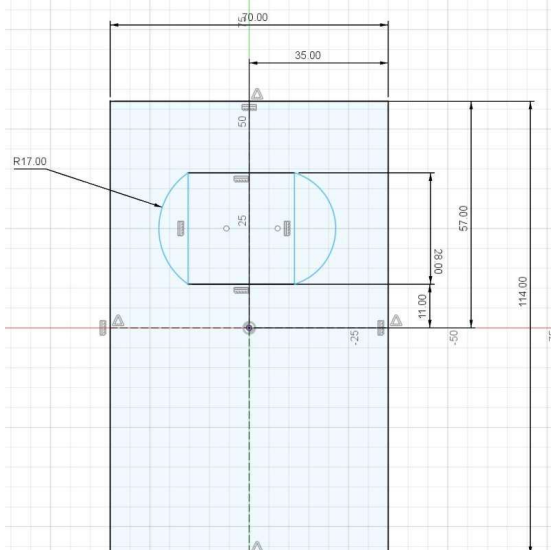


## Exercise 1: Sketch

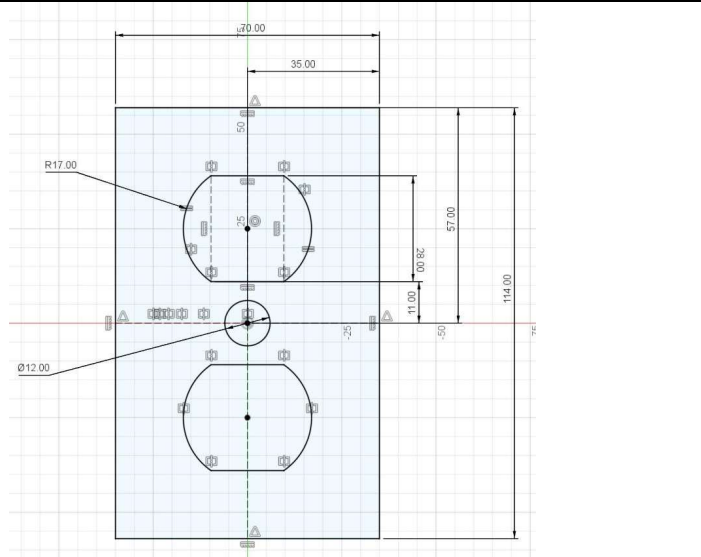
<p>Create Sketch          Select Working Plane          Sketch Rectangle, Center Rectangle</p>	
<p>Sketch Lines through midpoints of Rectangle          Redefine into Construction Line</p>	
<p>Sketch Rectangle          Sketch Arcs (3 Point Arc)</p>	

Constraints:  
Two Arc Equal  
Two Arc Concentric,  
Center/Vertical line Coincident

Change vertical lines to construction lines

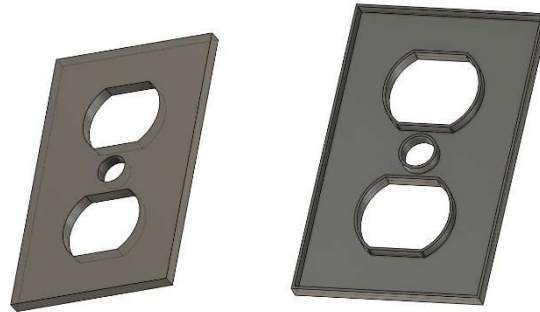
Mirror

Sketch circle at center

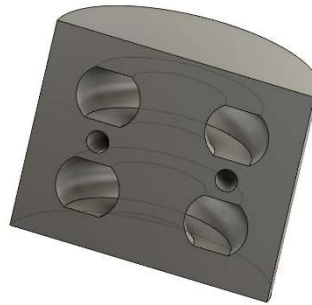


Extrude: 5 mm

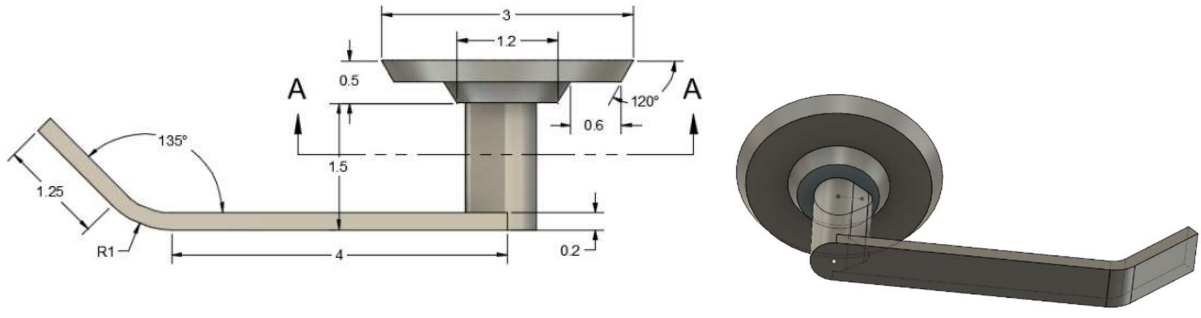
Shell: 1 mm



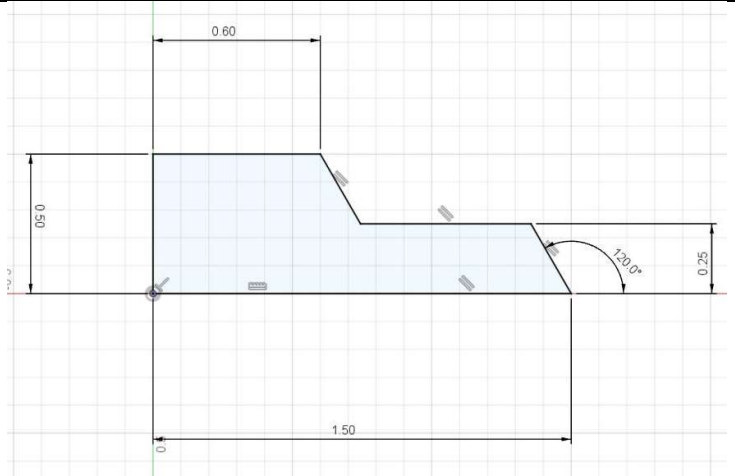
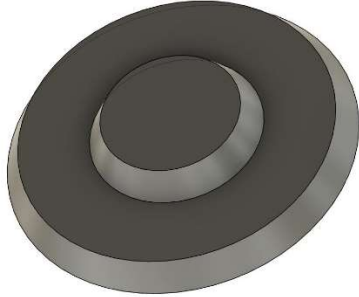
Revolve



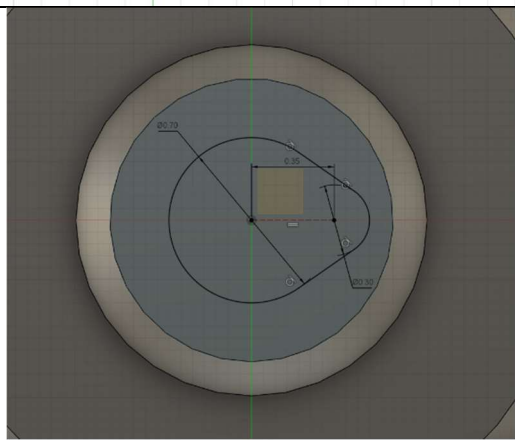
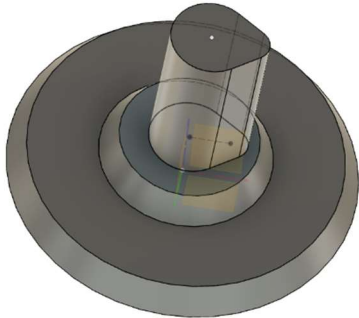
# Exercise 2: Door Holder



Use revolve to create base plate

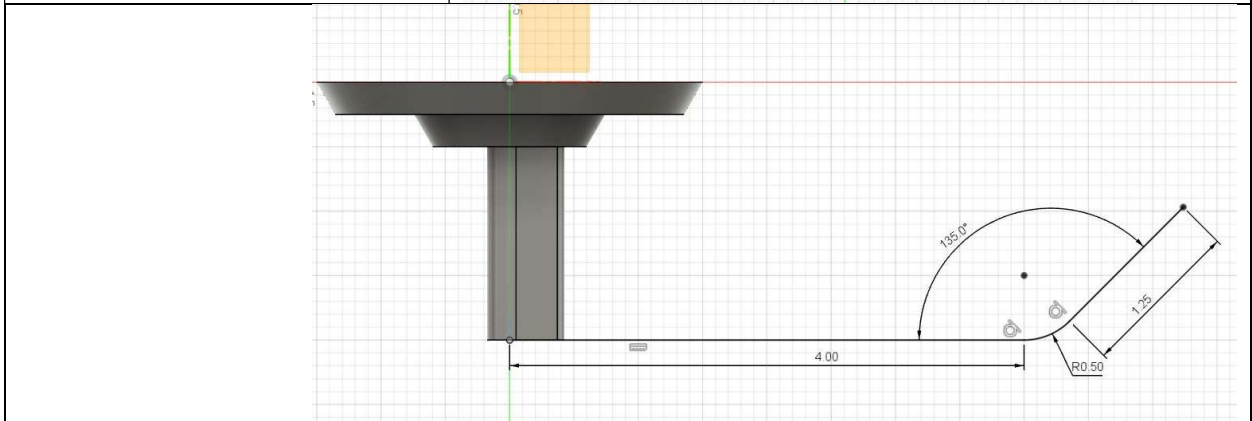
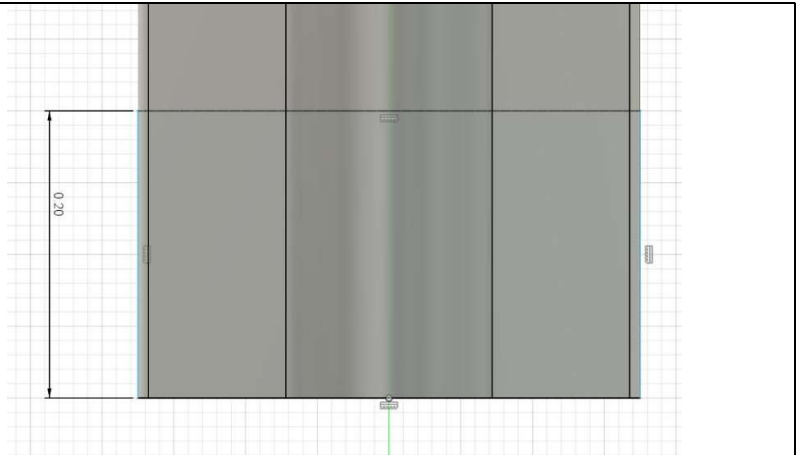


Use Extrude to create connecting rod



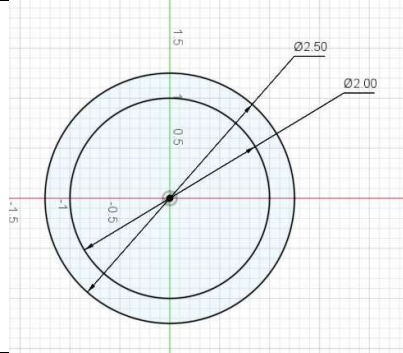
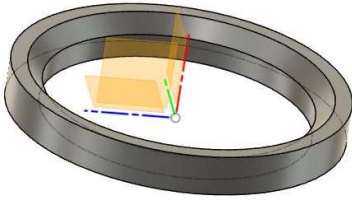
Use Sweep to create handle

1. Profile
2. Path



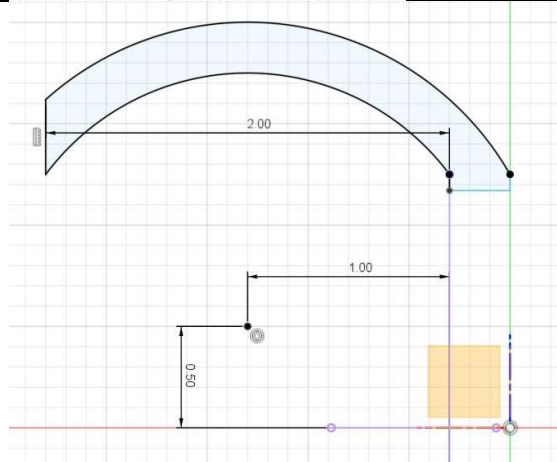
### Exercise 3: Light Bulb Holder

Extrusion (0.3 inch)  
Chamfer 0.125 X 45

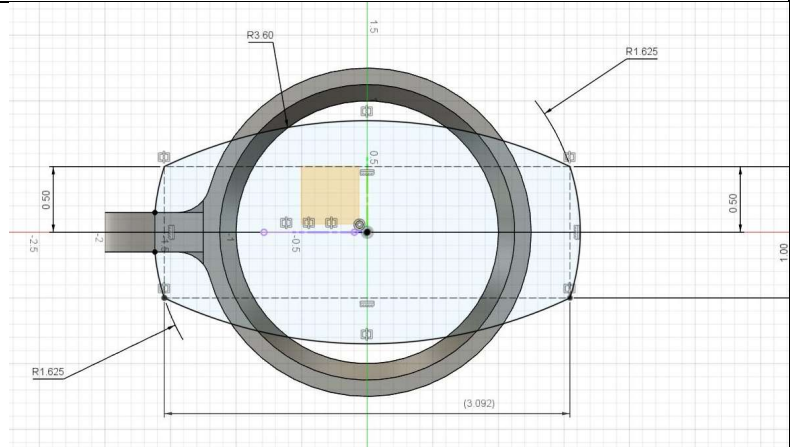


Extrusion to both sides (0.3 inch)

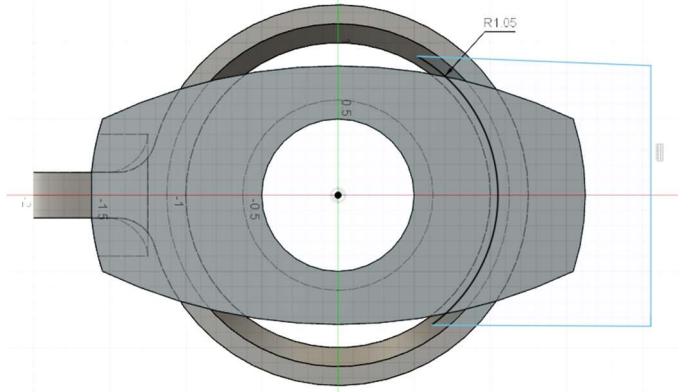
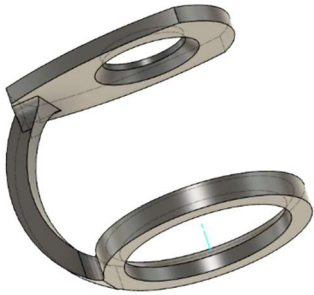
Fillet (0.25inch)



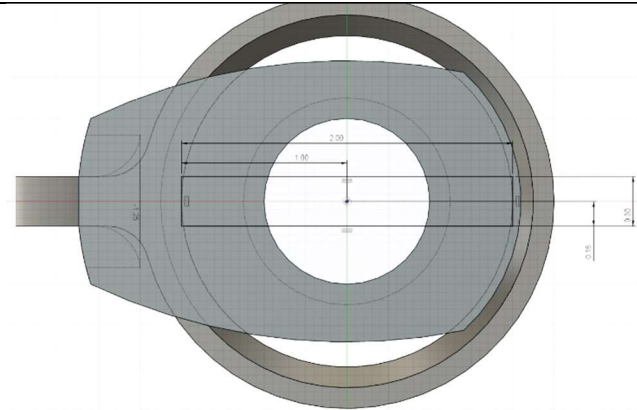
Extrusion 0.2 inch  
Fillet (0.25 inch)



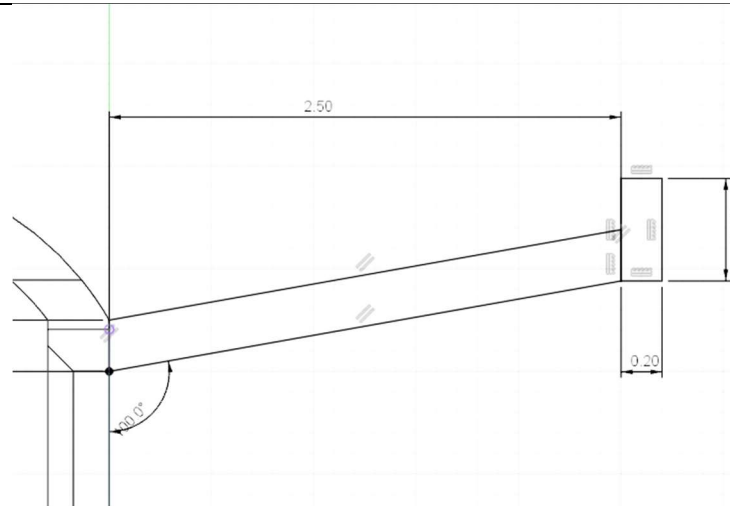
Axis Construction  
Cut 1 inch hole  
Chamfer 0.125 inch  
Cut R 1.04



Extrude 0.5 inch  
Fillet 0.25 inch



Revolve 10 degree both directions.



Fillet  
Circular Pattern



Cut

