



Dominique Etienne

Consultant  
Address  
Phone  
Fax  
e-mail

Consultant  
Address  
Address  
Phone  
Fax  
e-mail

Consultant  
Address  
Address  
Phone  
Fax  
e-mail

Consultant  
Address  
Address  
Phone  
Fax  
e-mail

Consultant  
Address  
Address  
Phone  
Fax  
e-mail

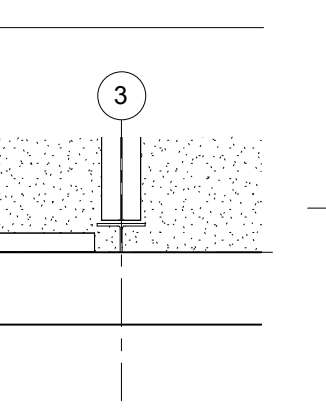
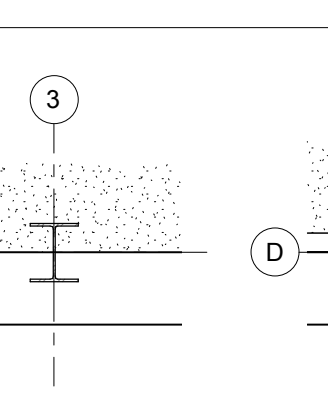
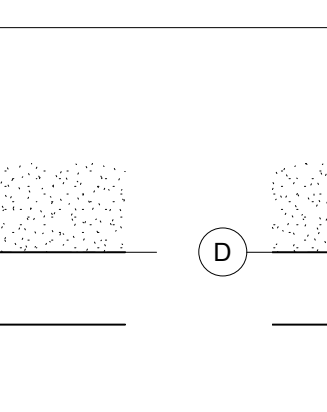
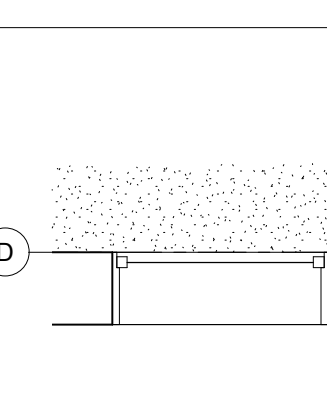
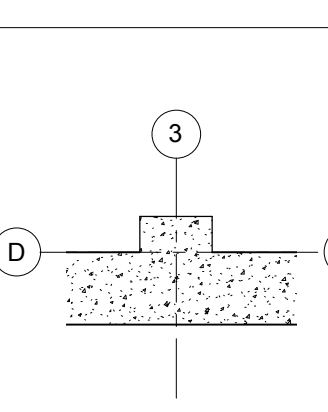
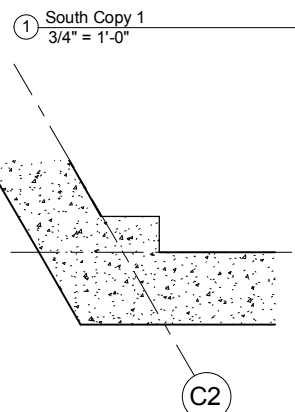
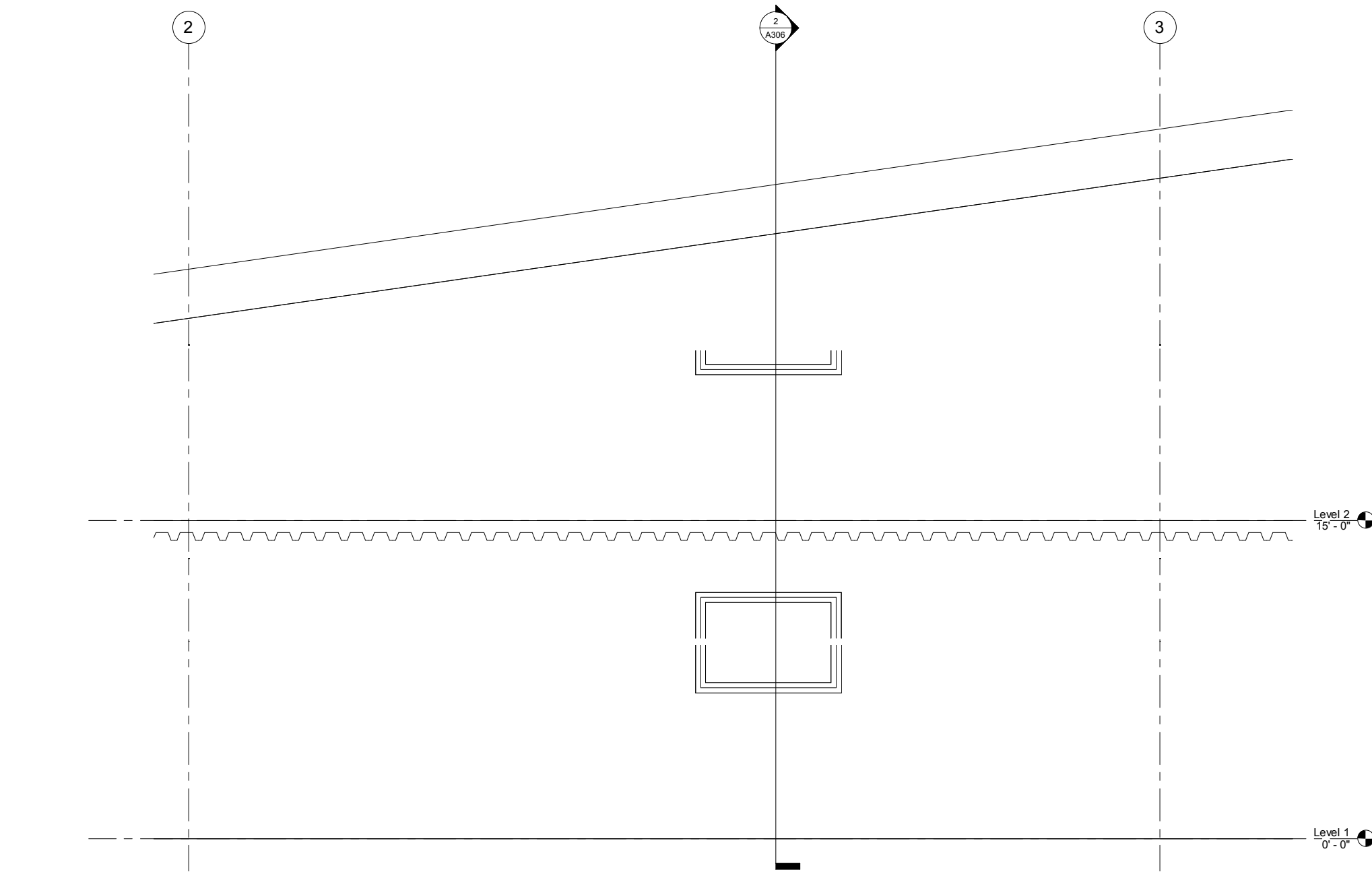
No.	Description	Date

**Owner**  
**Project Name**  
**WALL SECTION**

Project number Project Number  
Date Issue Date  
Drawn by Author  
Checked by Checker

**A306**

Scale 3/4" = 1'-0"



① South Copy 1  
3/4" = 1'-0"

② Basement - Callout 2  
3/4" = 1'-0"

③ Basement - Callout 1  
3/4" = 1'-0"

④ Level 1 - Callout 1  
3/4" = 1'-0"

⑤ Level 1 - Callout 2  
3/4" = 1'-0"

⑥ Roof - Callout 2  
3/4" = 1'-0"

⑦ Section 5  
3/4" = 1'-0"

4/3/2017 8:47:37 AM