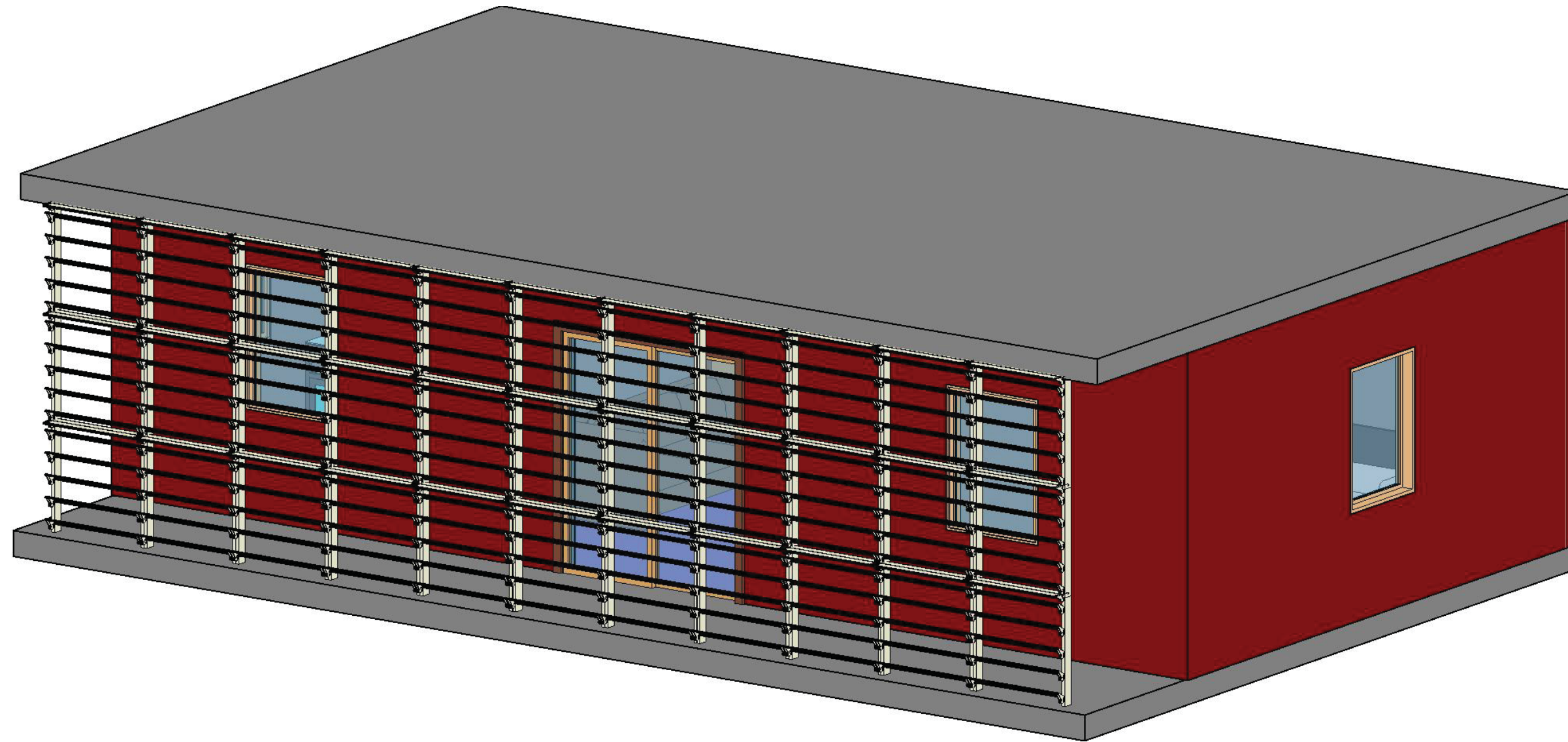


NEW YORK CITY
COLLEGE OF TECHNOLOGY
CITY UNIVERSITY OF NEW YORK
300 JAY STREET, BROOKLYN, NY 11201

NAME:
Leslie Rosas

Date	Revision
05/21/14	DOB SUBMISSION



Designer:	L. Rosas
Project Architect/Engineer:	L. Rosas
Drawn by:	L. ROSAS
Checked by:	Prof. Aaptekar

Project: DURA UNIT

Address: BROOKLYN, NY 11231

Drawing Title: Sections

Drawing Scale: NTS

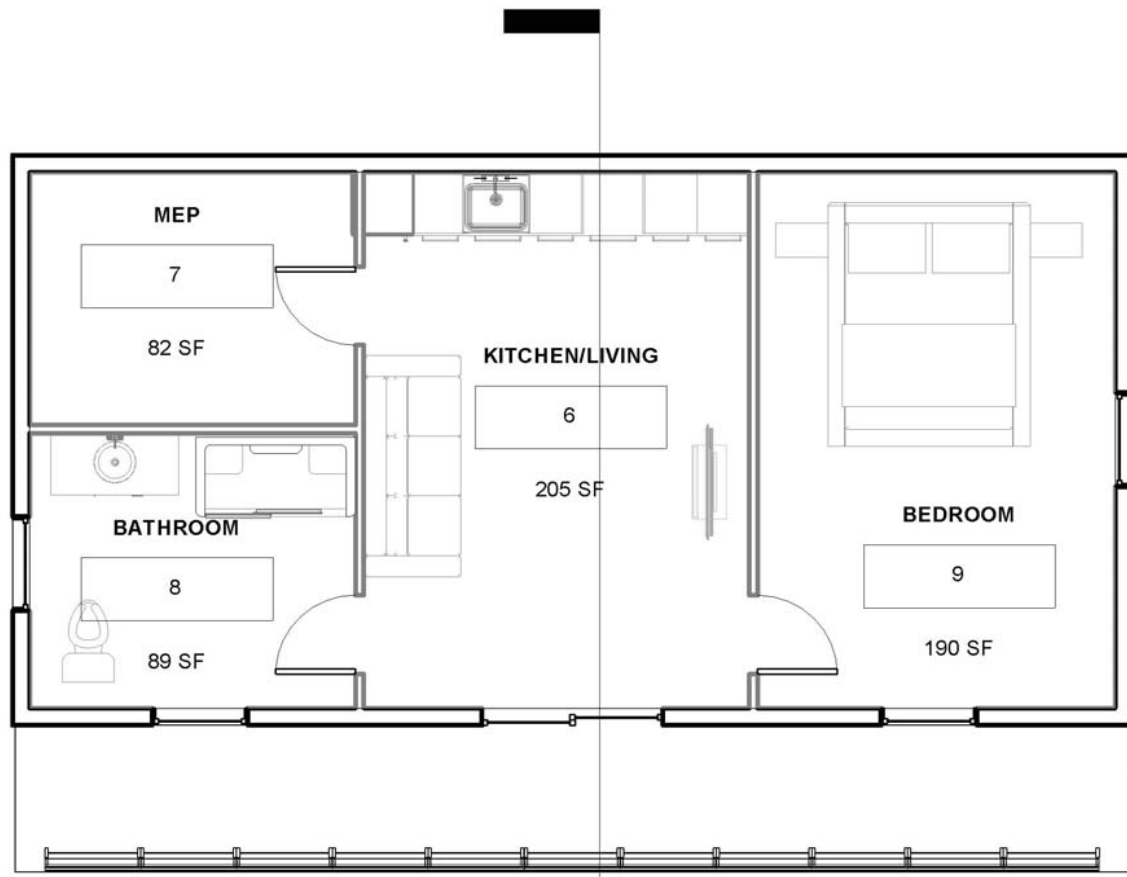
NOTE: Drawing may be printed at reduced scale

Drawing No.:

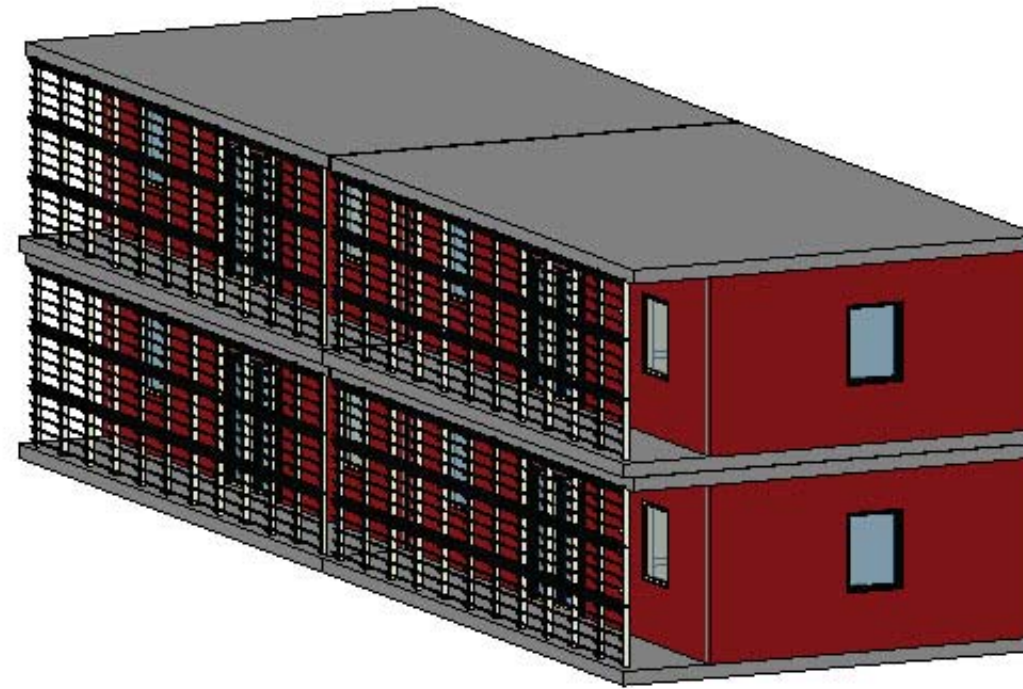
1

Sheets in Contract:

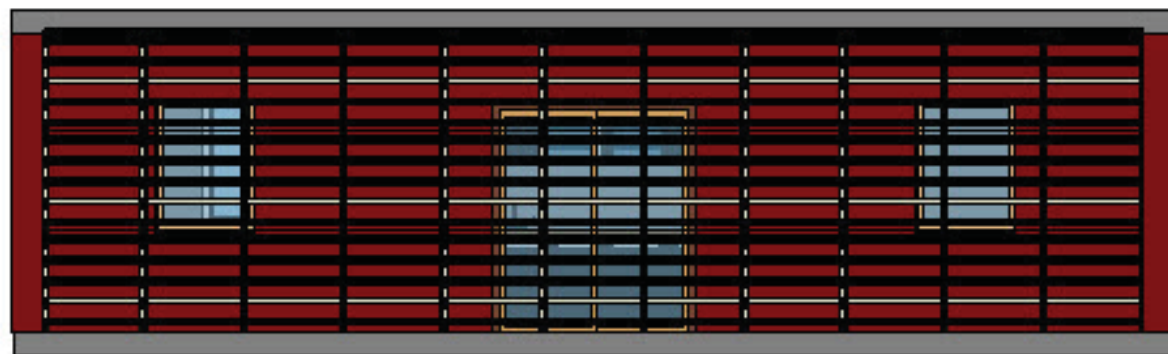
NAME: Leslie Rosas	
Date	Revision
05/21/14	DOB SUBMISSION



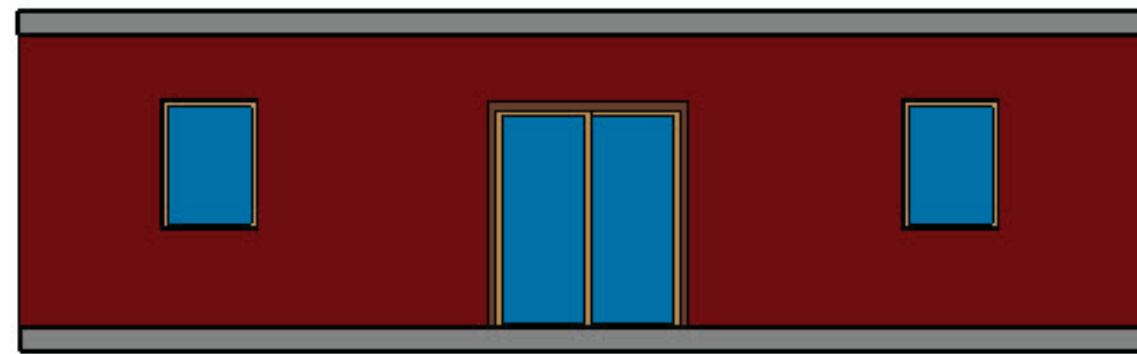
FLOOR PLAN



STACKED UNITS



SOUTH ELEVATION



WALL BEHIND

Designer:	L. Rosas
Project Architect/Engineer:	L. Rosas
Drawn by:	L. ROSAS
Checked by:	Prof. Aaptekhar

Project: **DURA UNIT**
Address: BROOKLYN, NY 11231

Drawing Title: Sections

Drawing Scale: NTS

NOTE: Drawing may be printed at reduced scale

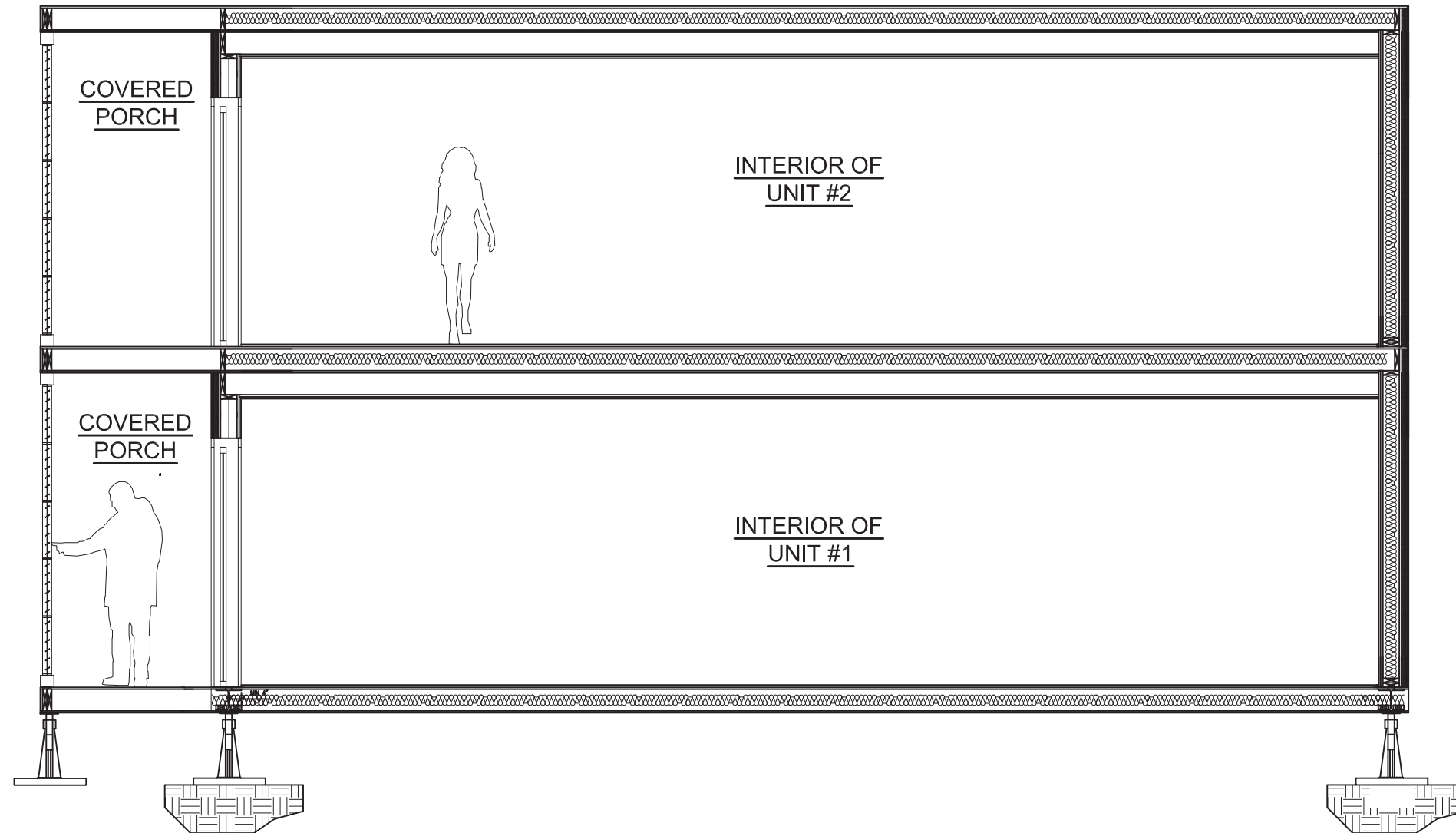
Drawing No.:

2

Sheets in Contract:

NAME:
 Leslie Rosas

Date	Revision
05/21/14	DOB SUBMISSION



1 WALL SECTION OF STACKED UNITS
 1/4" = 1'-0"

Designer:	L. Rosas
Project Architect/Engineer:	L. Rosas
Drawn by:	L. ROSAS
Checked by:	Prof. Aaptekar

Project: **DURA UNIT**

Address: BROOKLYN, NY 11231

Drawing Title: Sections

Drawing Scale: 1/2" = 1'-0"

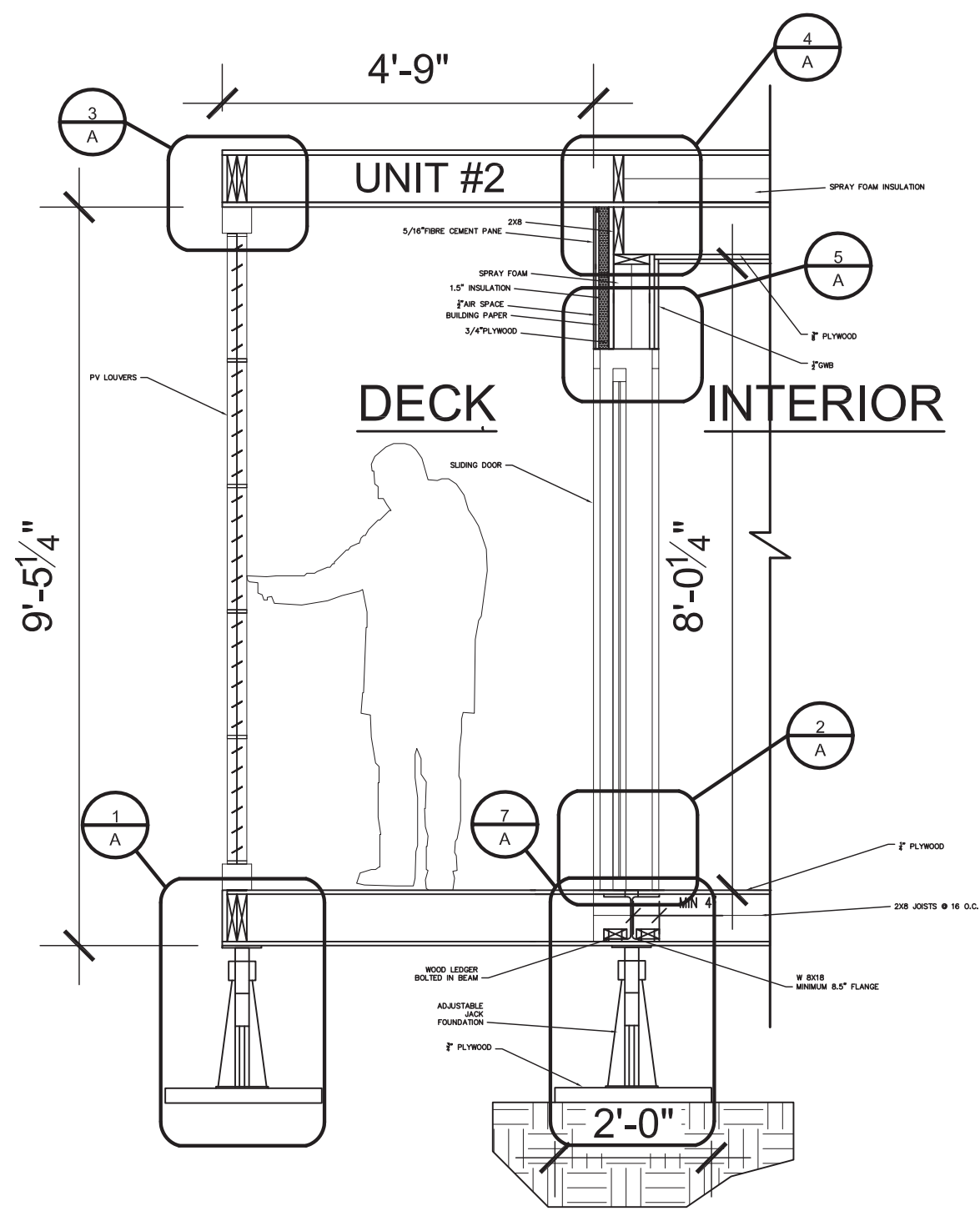
NOTE: Drawing may be printed at reduced scale

Drawing No.:

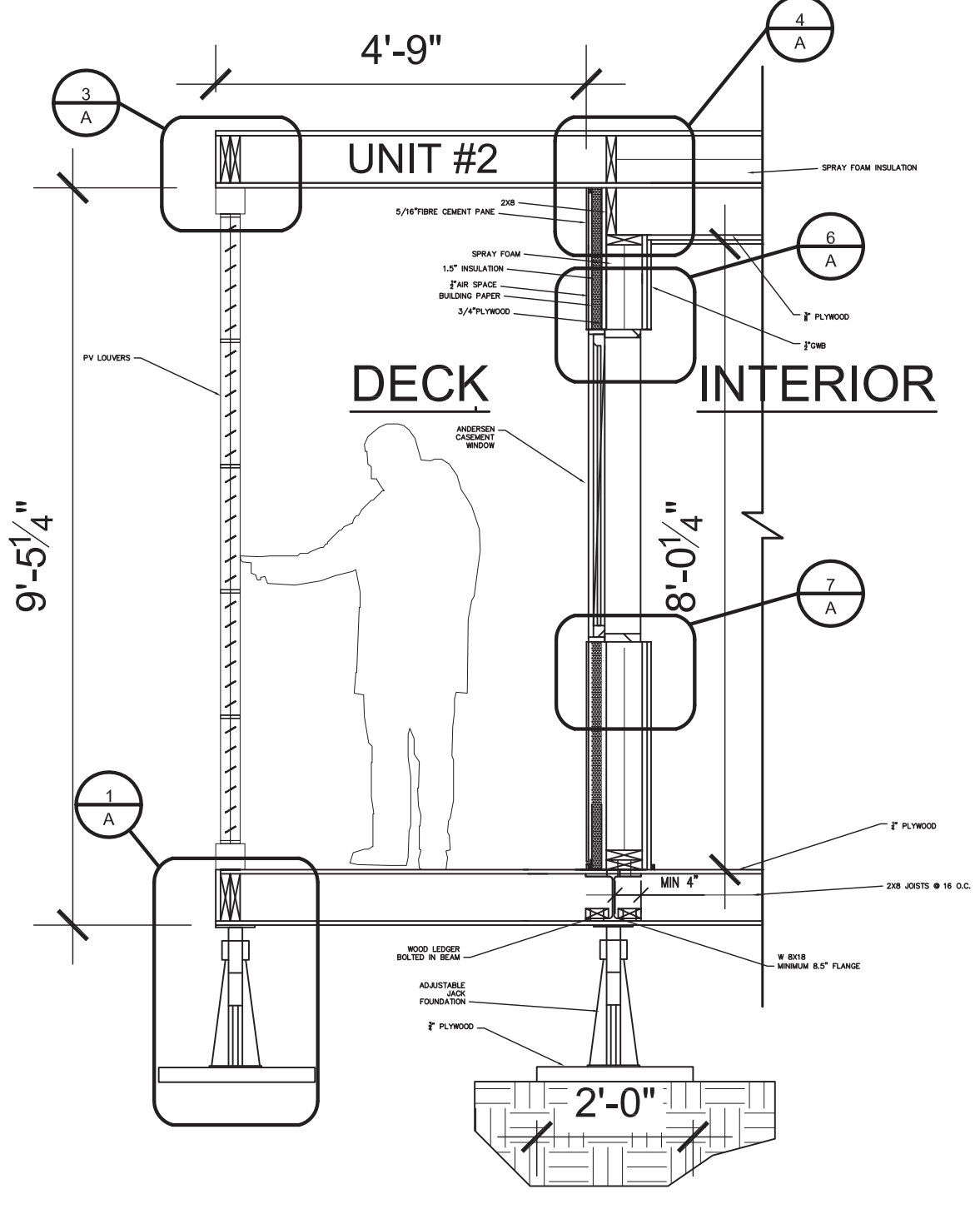
3

Sheets in Contract:

NAME: Leslie Rosas	
Date	Revision
05/21/14	DOB SUBMISSION



3 WALL SECTION W/ DOOR
1/2"=1'-0"



2 WALL SECTION W/ WINDOW
1/2"=1'-0"

Designer:	L. Rosas
Project Architect/Engineer:	L. Rosas
Drawn by:	L. ROSAS
Checked by:	Prof. Aaptekar

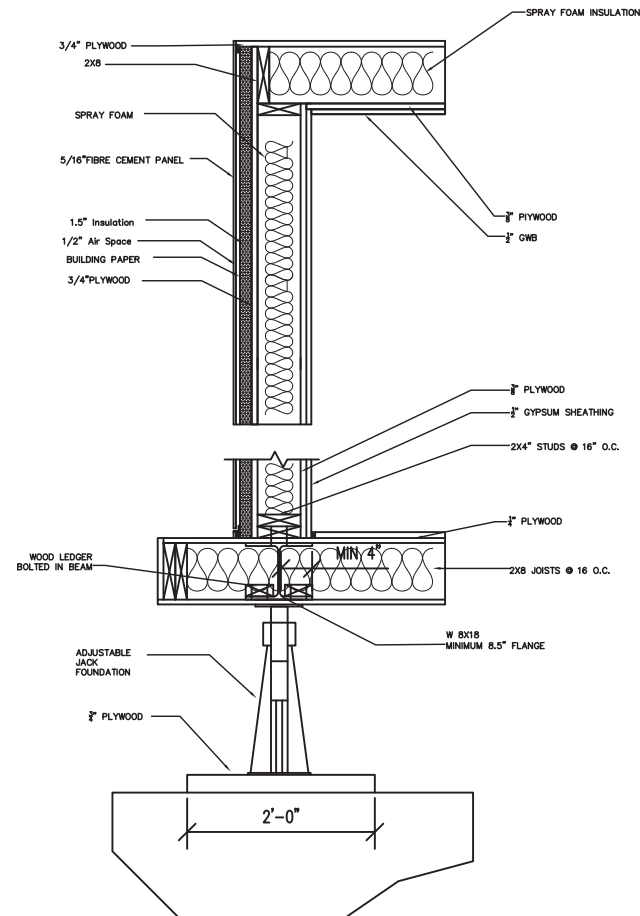
Project:	DURA UNIT
Address:	BROOKLYN, NY 11231

Drawing Title: Sections
Drawing Scale: 1/2" = 1'-0"
NOTE: Drawing may be printed at reduced scale

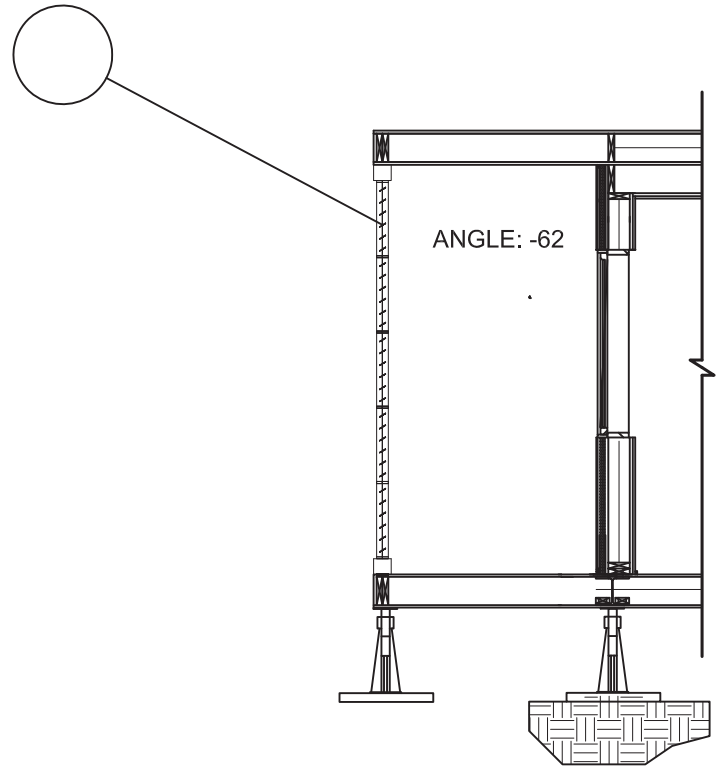
Drawing No.:

4

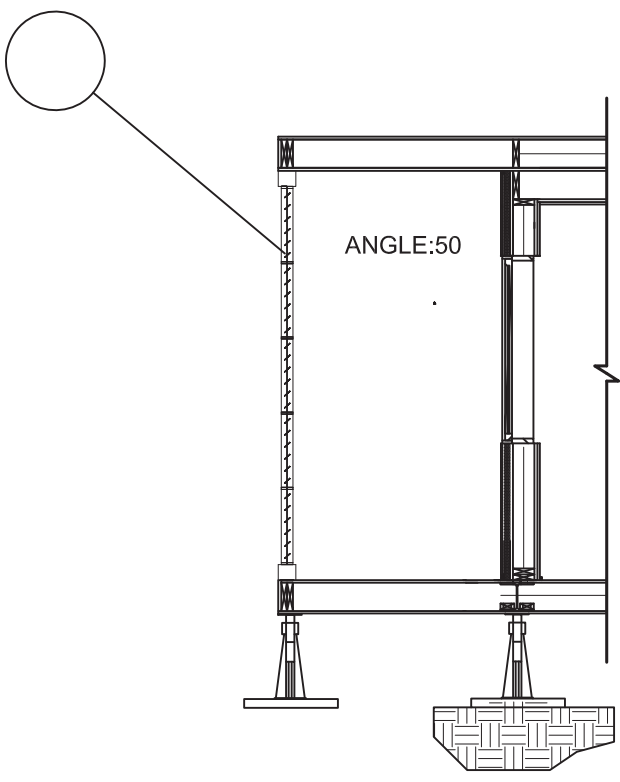
NAME: Leslie Rosas	
Date	Revision
05/21/14	DOB SUBMISSION



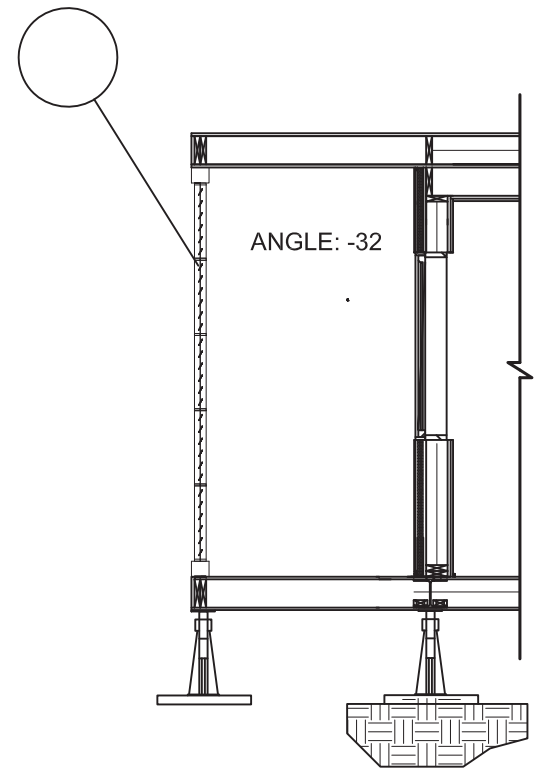
1 TYP. WALL SECTION
1/2"=1'-0"



1 SUMMER SOLSTICE
1/4"=1'-0"



2 SPRING/FALL
1/4"=1'-0"



3 WINTER SOLSTICE
1/4"=1'-0"

Designer:	L. Rosas
Project Architect/Engineer:	L. Rosas
Drawn by:	L. ROSAS
Checked by:	Prof. Aaptekar

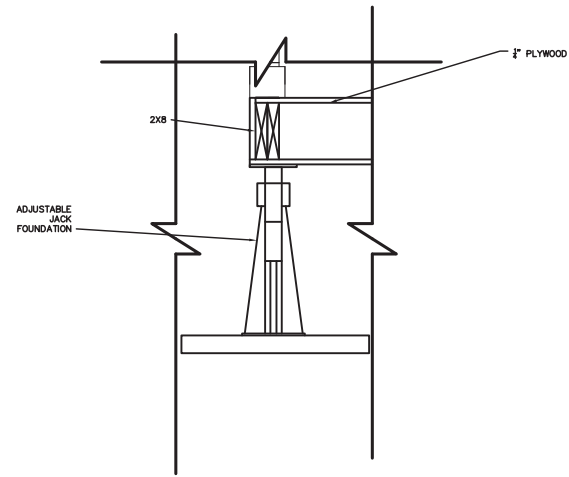
Project:	DURA UNIT
Address:	BROOKLYN, NY 11231

Drawing Title:	Sections
Drawing Scale:	1/2" = 1'-0"
NOTE: Drawing may be printed at reduced scale	

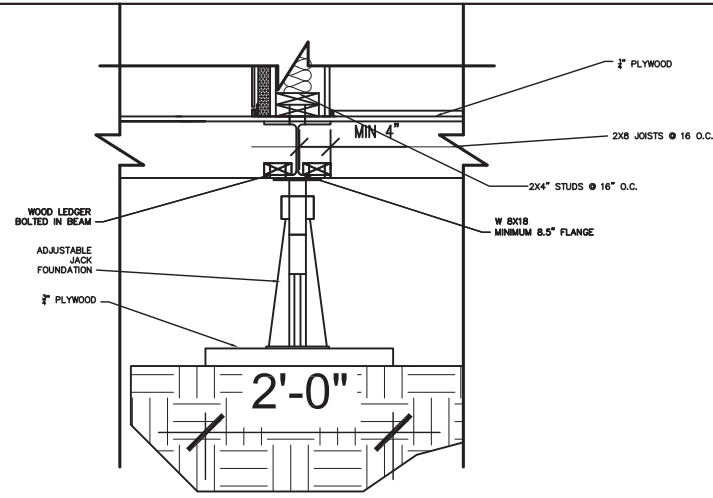
Drawing No.:	
--------------	--

5

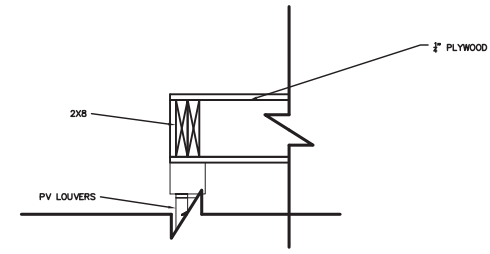
NAME: Leslie Rosas	
Date	Revision
05/21/14	DOB SUBMISSION



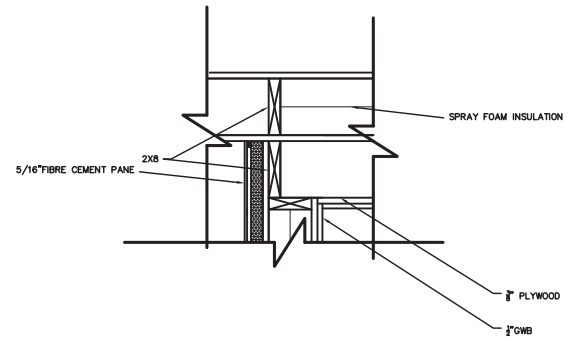
1 BUILDING FOOTING
1/2"=1'-0"



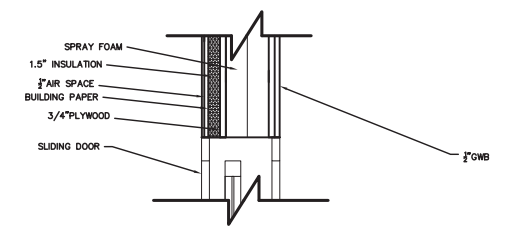
2 DECK & WALL CONNECTION
1/2"=1'-0"



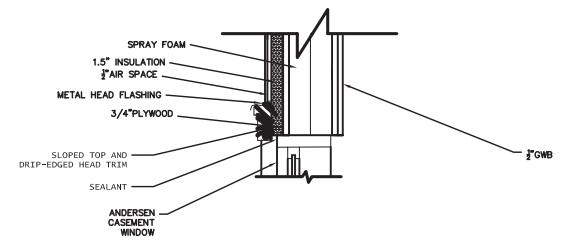
3 DECK & SOLAR FRAME CONNECTION
1/2"=1'-0"



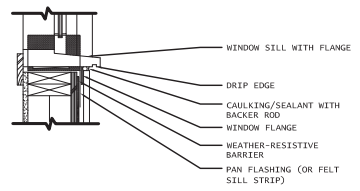
4 MODULE CONNECTIONS
1/2"=1'-0"



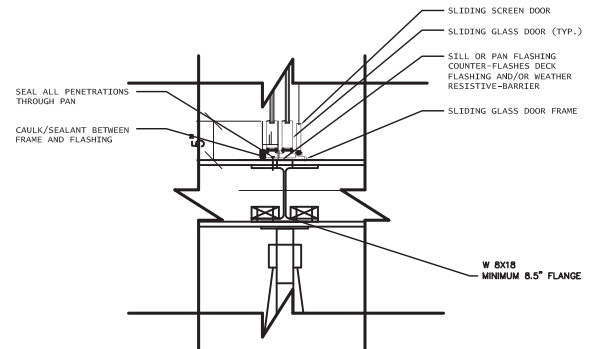
5 DOOR HEAD
1/2"=1'-0"



6 WINDOW HEAD
1/2"=1'-0"



7 WINDOW SILL
1/2"=1'-0"



8 DOOR SILL
1/2"=1'-0"

Designer:	L. Rosas
Project Architect/Engineer:	L. Rosas
Drawn by:	L. ROSAS
Checked by:	Prof. Aaptekar

Project: DURA UNIT
Address: BROOKLYN, NY 11231

Drawing Title: Sections
Drawing Scale: 1/2" = 1'-0"
NOTE: Drawing may be printed at reduced scale

Drawing No.: **6**
Sheets in Contract: 1 of 12