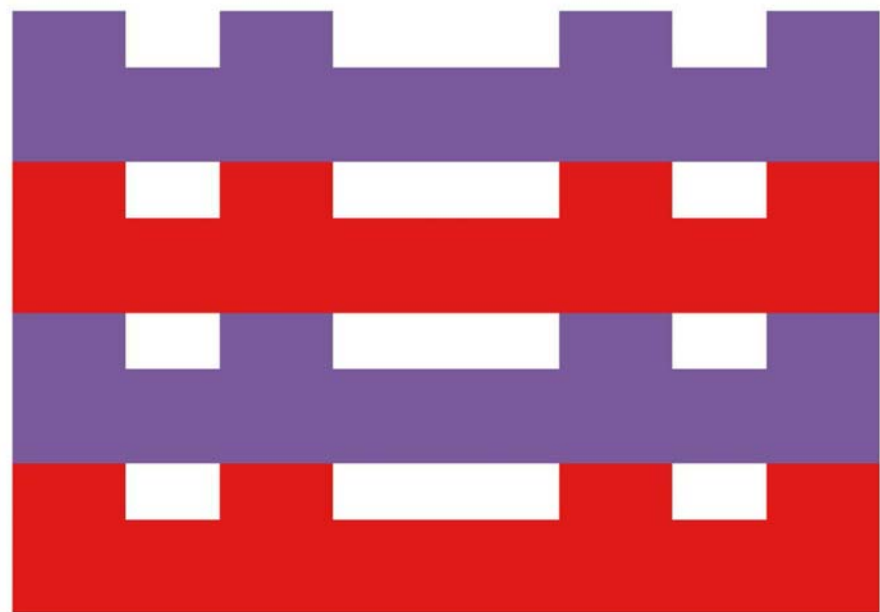
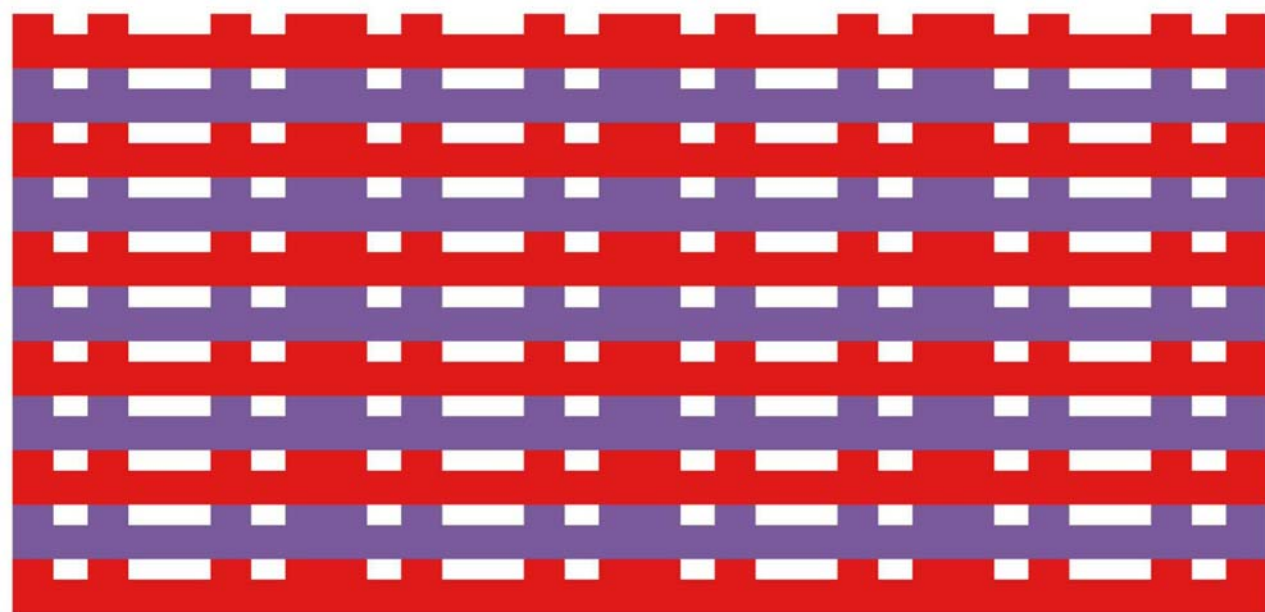


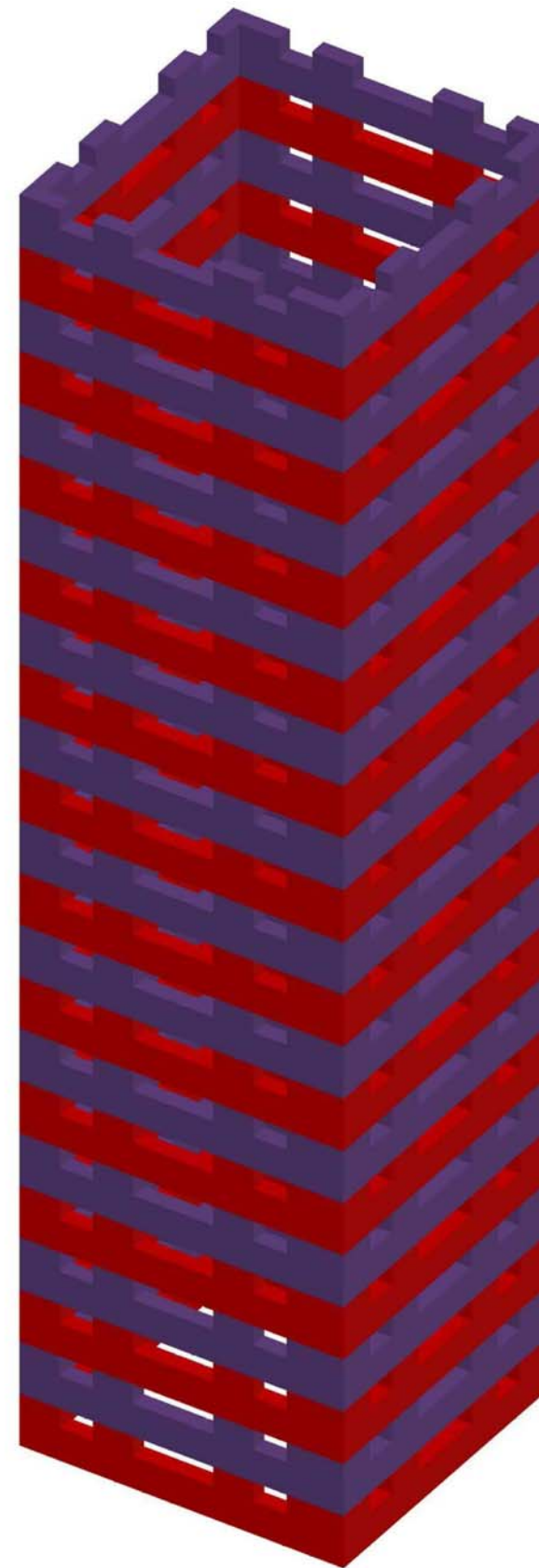
4 UNITS



8 Units



96 UNITS



STACKING UNITS

PATRICIA PAREDES

NYC College of Technology
300 JAY STREET
BROOKLYN, NY 11201
347-653-6003

pparedes92@gmail.com

ARCH 3630

Advance Detailing Studio

Prof. Aptekar

Prof. Azaroff

STACKING UNIT
DESIGN

Notes:

SHEET

01

Scale

PATRICIA PAREDES

NYC College of Technology
300 JAY STREET
BROOKLYN, NY 11201
347-653-6003

pparedes92@gmail.com

ARCH 3630
Advance Detailing Studio

Prof. Aptekar
Prof. Azaroff

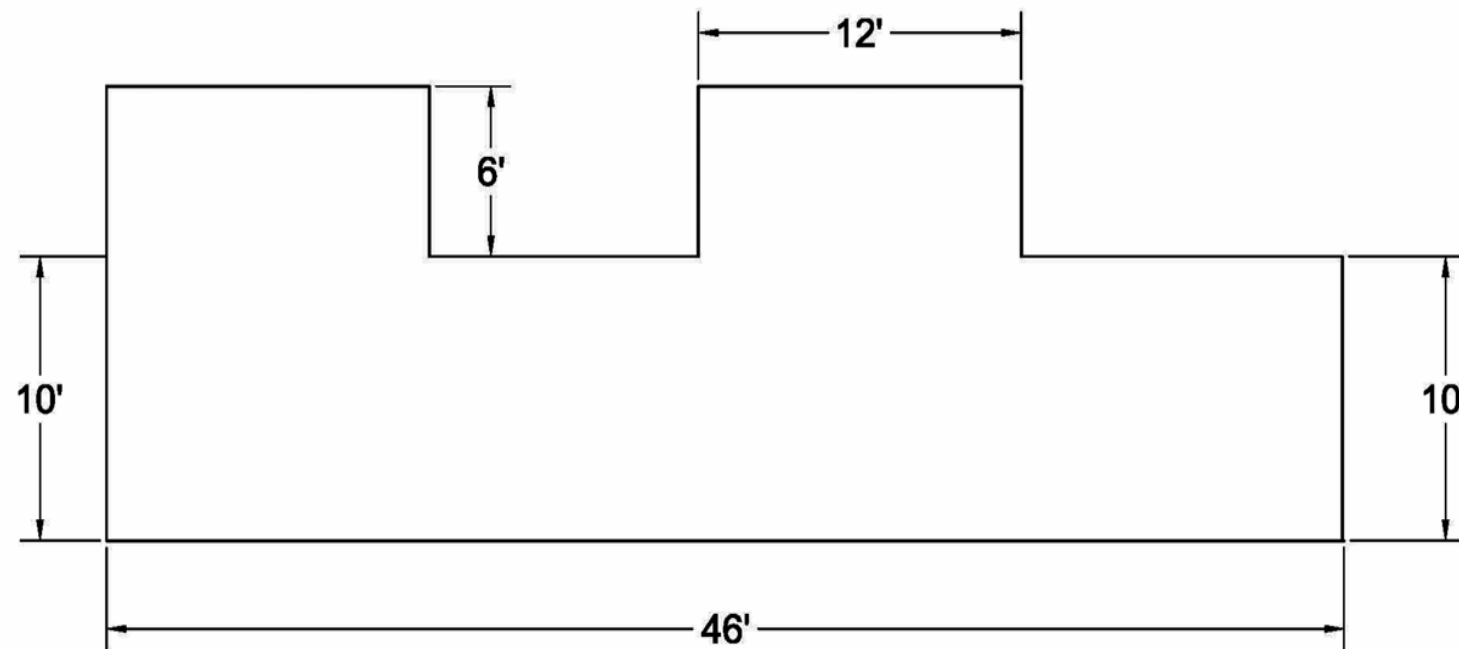
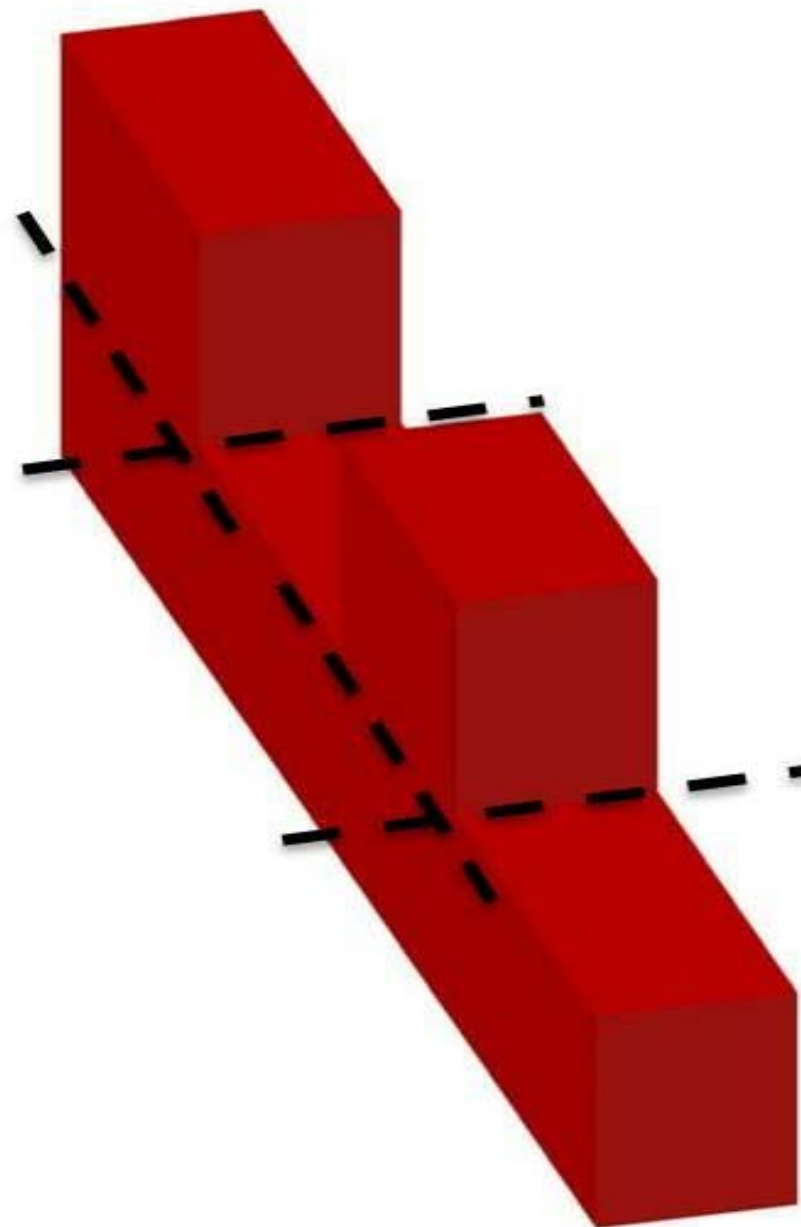
UNIT TRANSPORTATION

Notes:

SHEET

02

Scale



MODULAR UNIT W/ DIMENSIONS
SCALE: 1/4" = 1'-0"



TRUCK OVERALL LENGTH 48'
TRUCK OVERALL HEIGHT 13'-6"

TRUCKS NEEDED FOR PROJECT: 5
TRUCK 1 & 2: CARRY EACH ON BASE UNIT
TRUCK 3 & 4: CARRY TOP SMALL UNIT
TRUCK 5: OTHER MATERIALS

THE DOTTED LINES REPRESENT THAT THE TOP SMALLER PORTION OF THE UNIT WILL GET DETACHED FOR EASY TRANSPORTATION.

DURING CONSTRUCTION THE SMALLER UNIT WILL BE REASSEMBLE ON TOP OF THE BASE UNIT, GOING BACK TO ITS ORIGINAL SHAPE DESIGN.

PATRICIA PAREDES

NYC College of Technology
300 JAY STREET
BROOKLYN, NY 11201
347-653-6003

pparedes92@gmail.com

ARCH 3630
Advance Detailing Studio

Prof. Aptekar
Prof. Azaroff

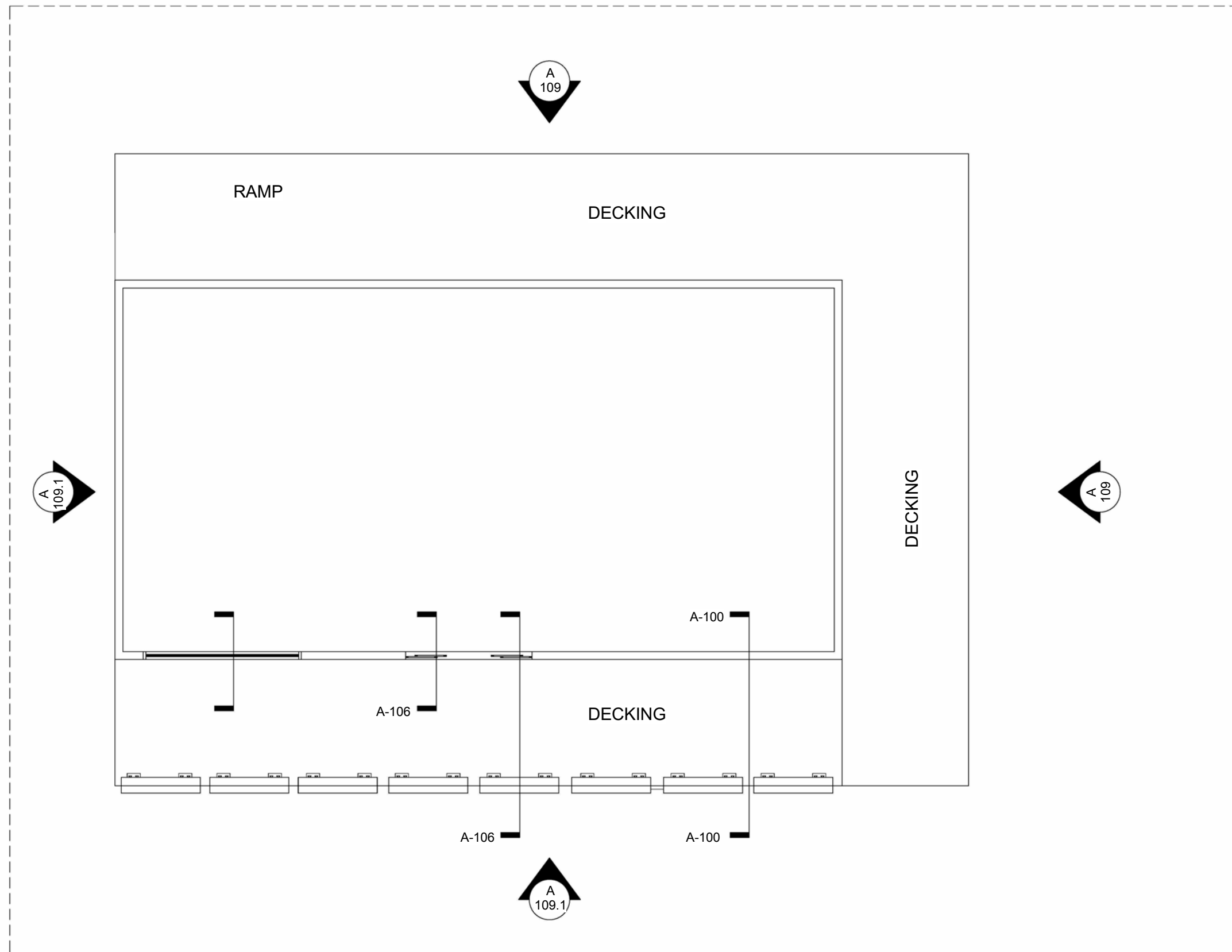
FLOOR PLAN
SECTION MARKS
ELEVATION MARKS

Notes:

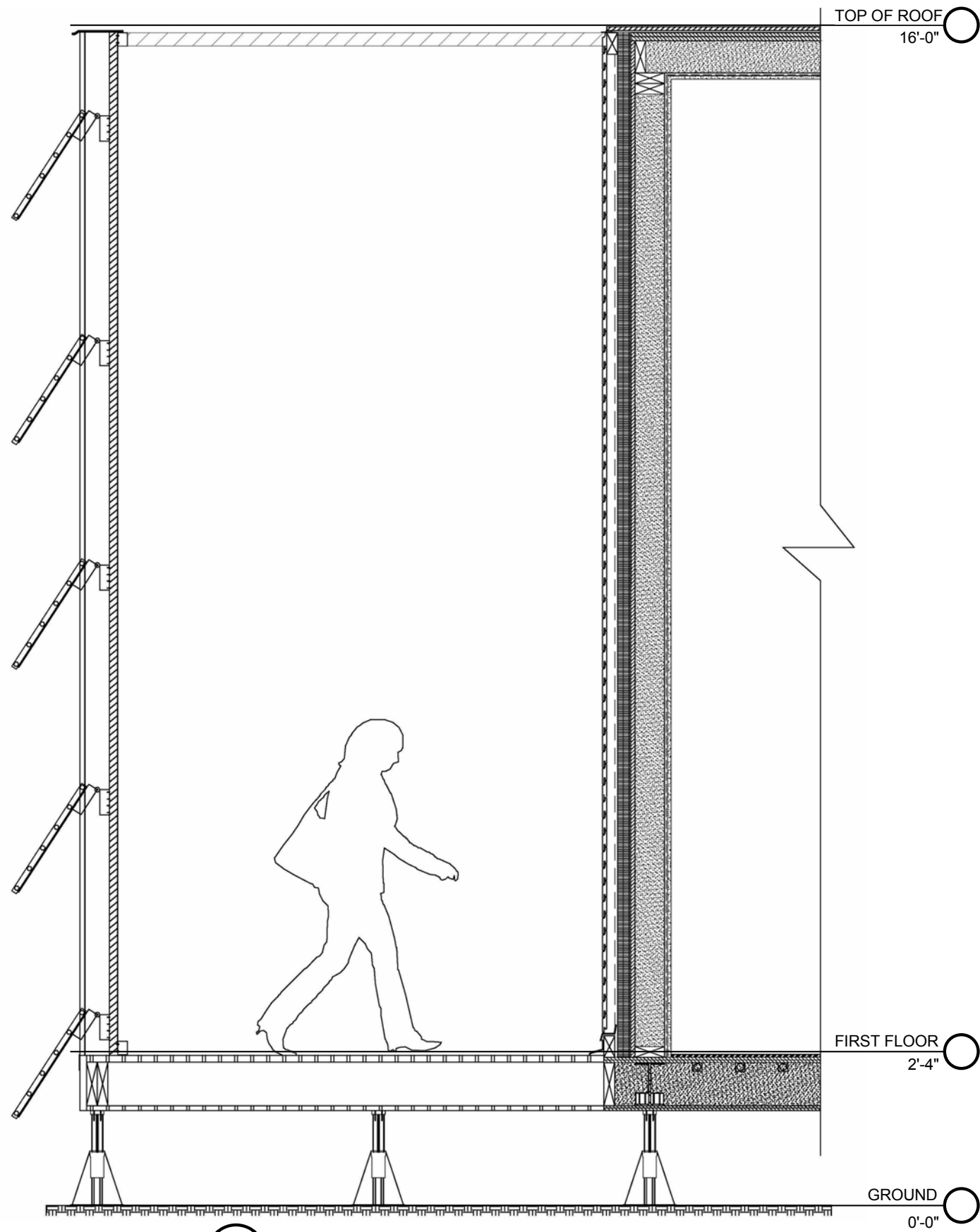
SHEET

03

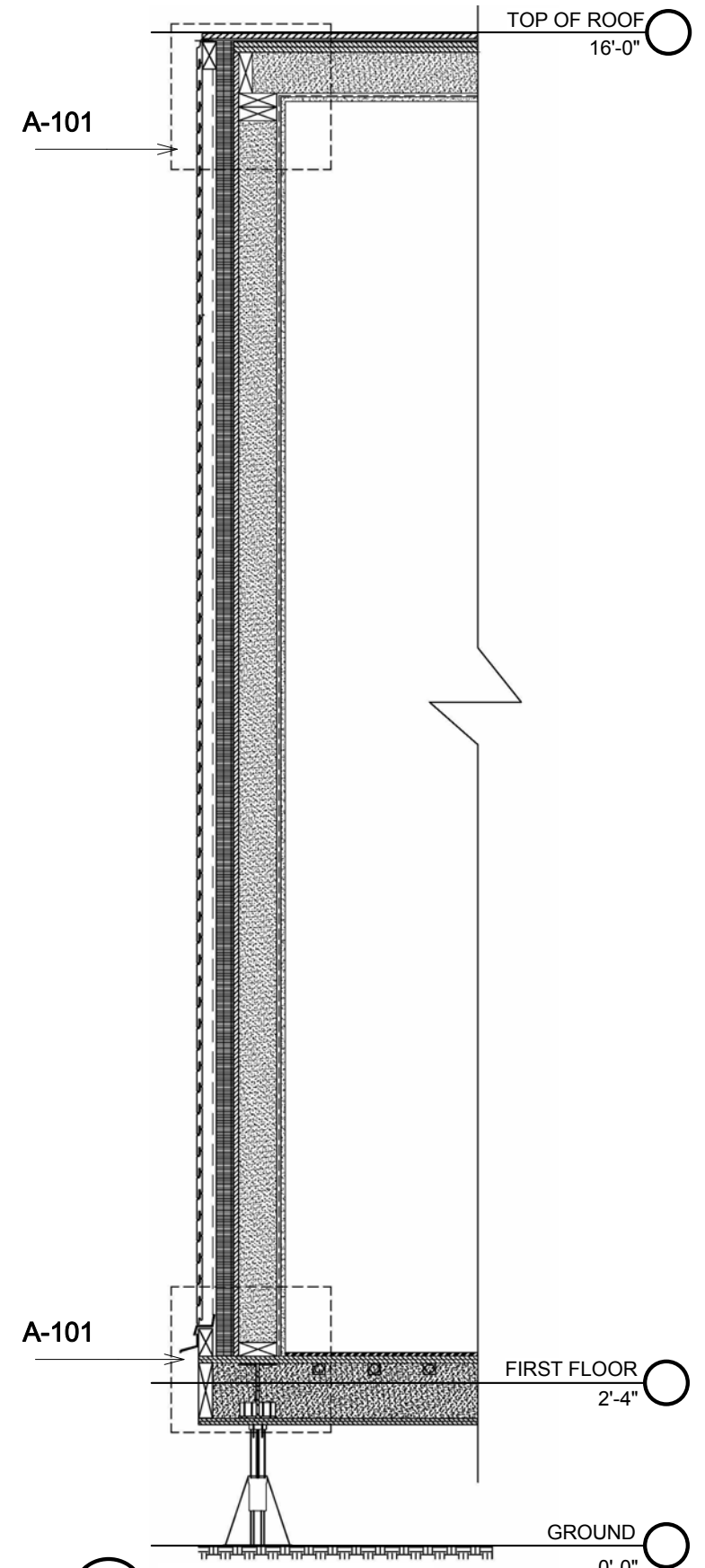
Scale



FLOOR PLAN - SECTION ELEVATION MARKS
SCALE: 1/4" = 1'-0"



○ FULL WALL SECTION DETAIL w/ PATIO
SCALE: 1/4" = 1'-0"



○ TYP> WALL SECTION
SCALE: 1/4" = 1'-0"

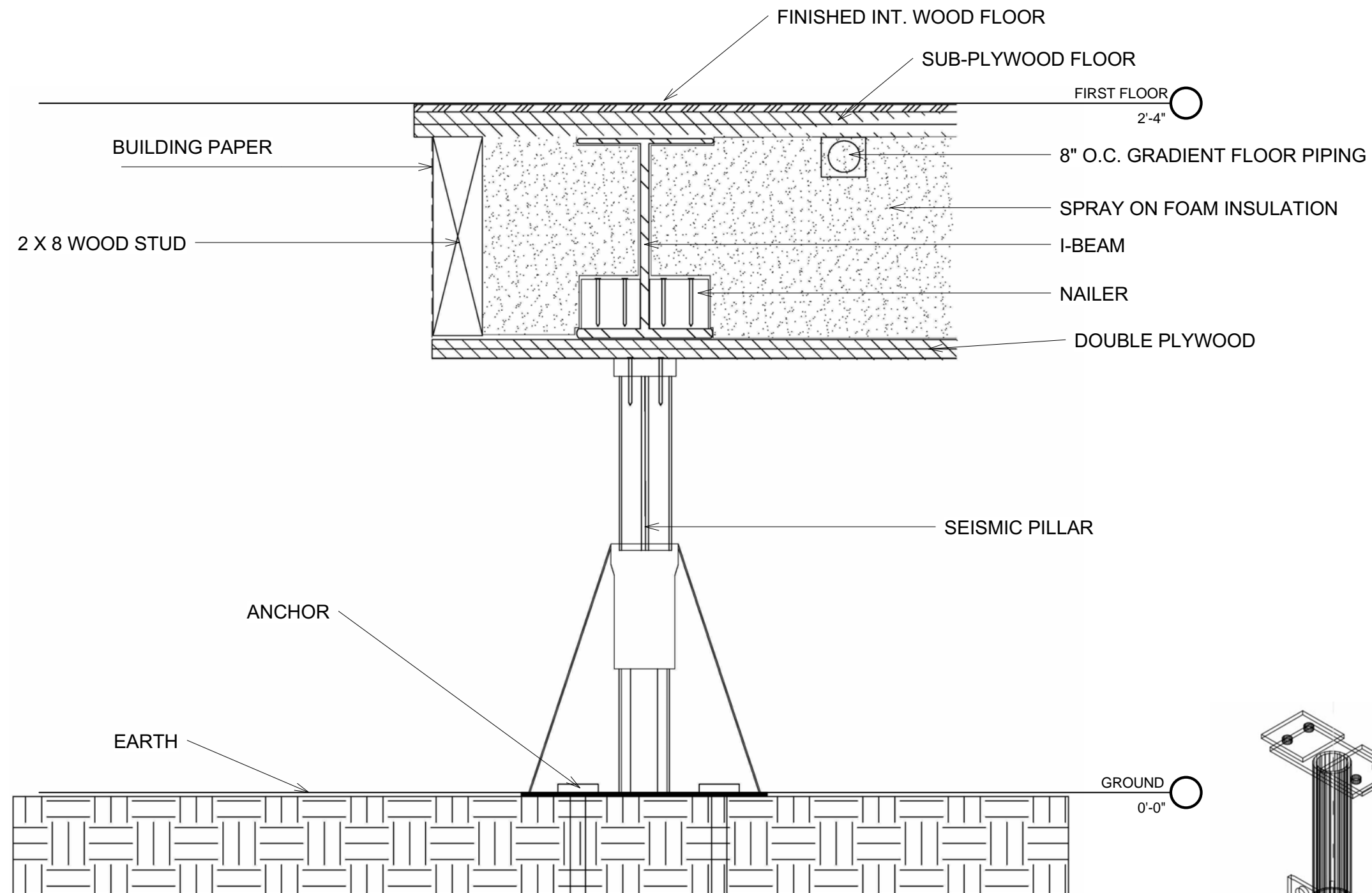
PATRICIA PAREDES
 NYC College of Technology
 300 JAY STREET
 BROOKLYN, NY 11201
 347-653-6003
 pparedes92@gmail.com

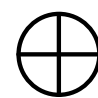
ARCH 3630
 Advance Detailing Studio
 Prof. Aptekar
 Prof. Azaroff

TYPICAL WALL DETAIL
 SOLAR PANEL WALL

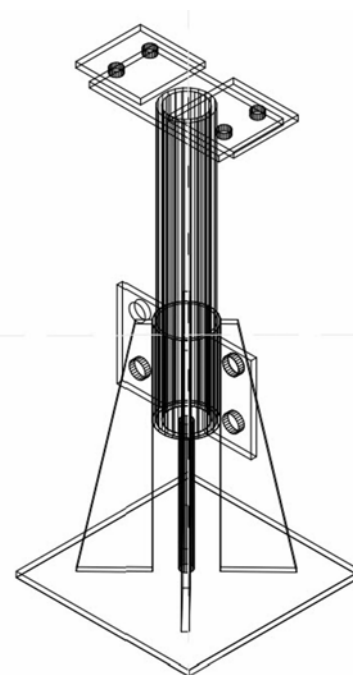
Notes:

SHEET
A-100
 Scale 1/4" = 1'-0"




SEISMIC PILLAR CONNECION TO FLOOR
 SCALE: 1/4" = 1'-0"

The seismic pillar footing for this project was inspired by the footing from Team Ontario from the Solar Decathlon 2013. Isometric (see right)



PATRICIA PAREDES

NYC College of Technology
 300 JAY STREET
 BROOKLYN, NY 11201
 347-653-6003

pparedes92@gmail.com

ARCH 3630
 Advance Detailing Studio

Prof. Aptekar
 Prof. Azaroff

SEISMIC PILLAR DETAIL

Notes:

SHEET

A-102

Scale 1/4" = 1'-0"

PATRICIA PAREDES

NYC College of Technology
300 JAY STREET
BROOKLYN, NY 11201
347-653-6003

pparedes92@gmail.com

ARCH 3630
Advance Detailing Studio

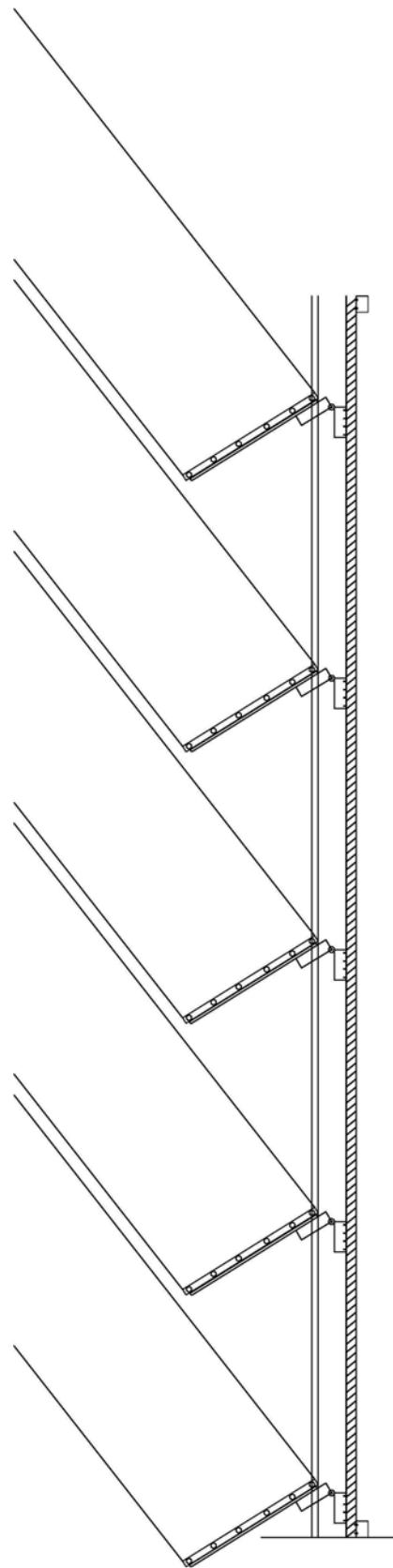
Prof. Aptekar
Prof. Azaroff

Notes:

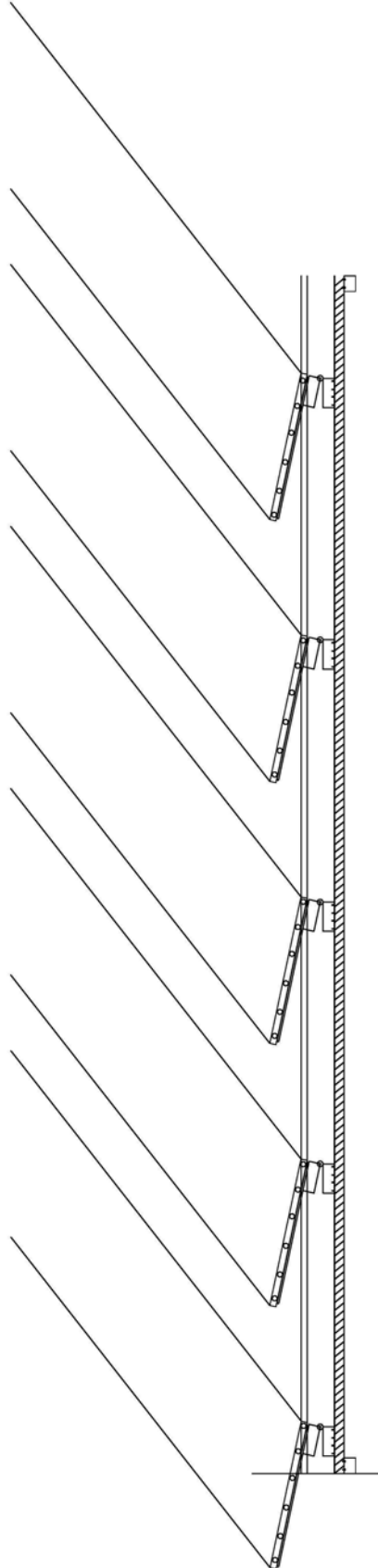
SHEET

A-103.1

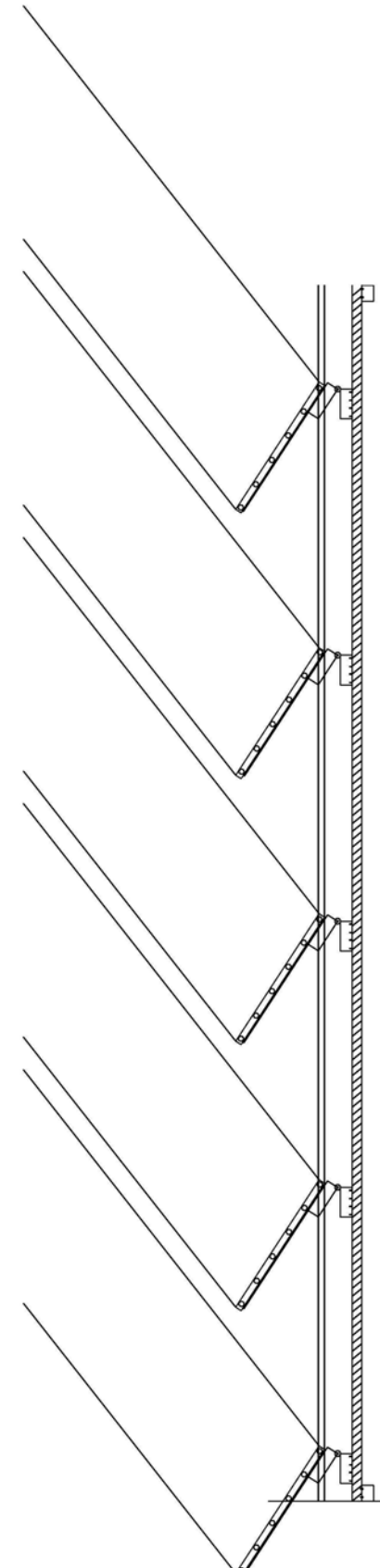
Scale 1/4" = 1'-0"



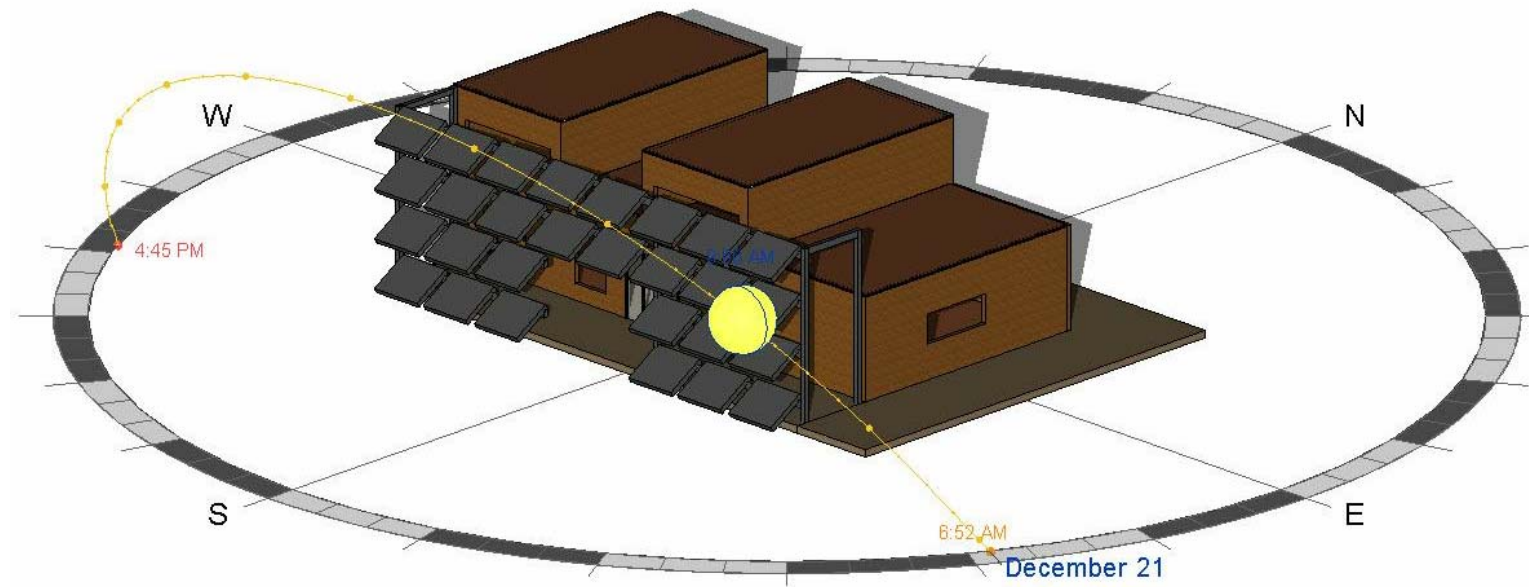
○ WINTER SOLISTICE @ 32 DEGREES
SCALE: 1/4" = 1'-0"



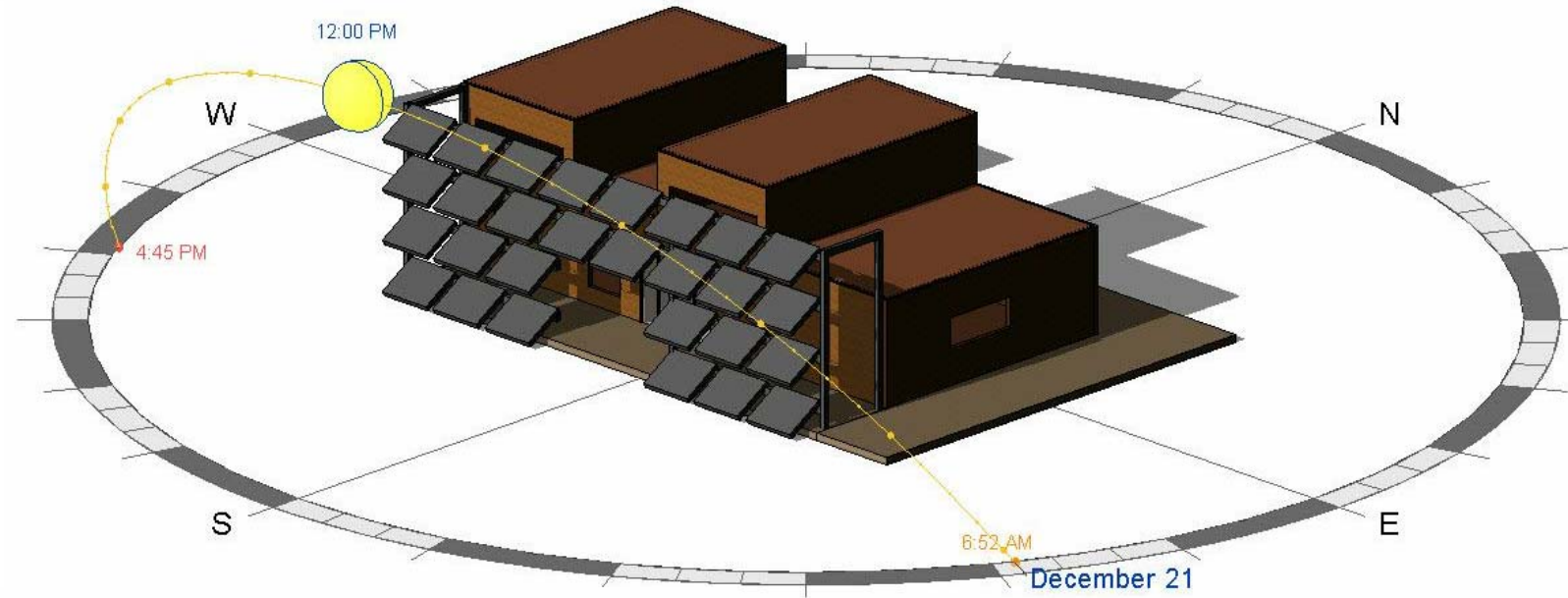
○ SUMMER SOLISTICE @ 78 DEGREES
SCALE: 1/4" = 1'-0"



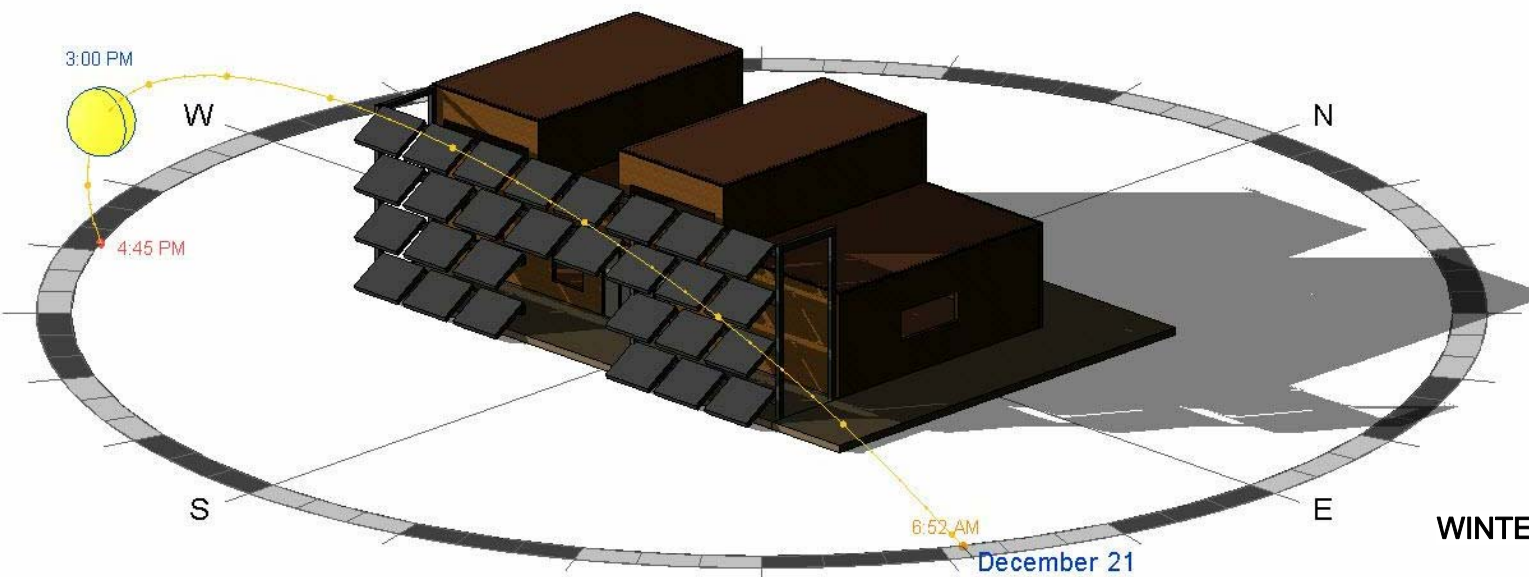
○ EQUINOX SOLISTICE @ 57 DEGREES
SCALE: 1/4" = 1'-0"



WINTER SOLISTICE AT 9 AM



WINTER SOLISTICE AT 12 PM



WINTER SOLISTICE AT 3 PM

PATRICIA PAREDES

NYC College of Technology
300 JAY STREET
BROOKLYN, NY 11201
347-653-6003

pparedes92@gmail.com

ARCH 3630
Advance Detailing Studio

Prof. Aptekar
Prof. Azaroff

WINTER SOLISTICE
SUN ANGLES

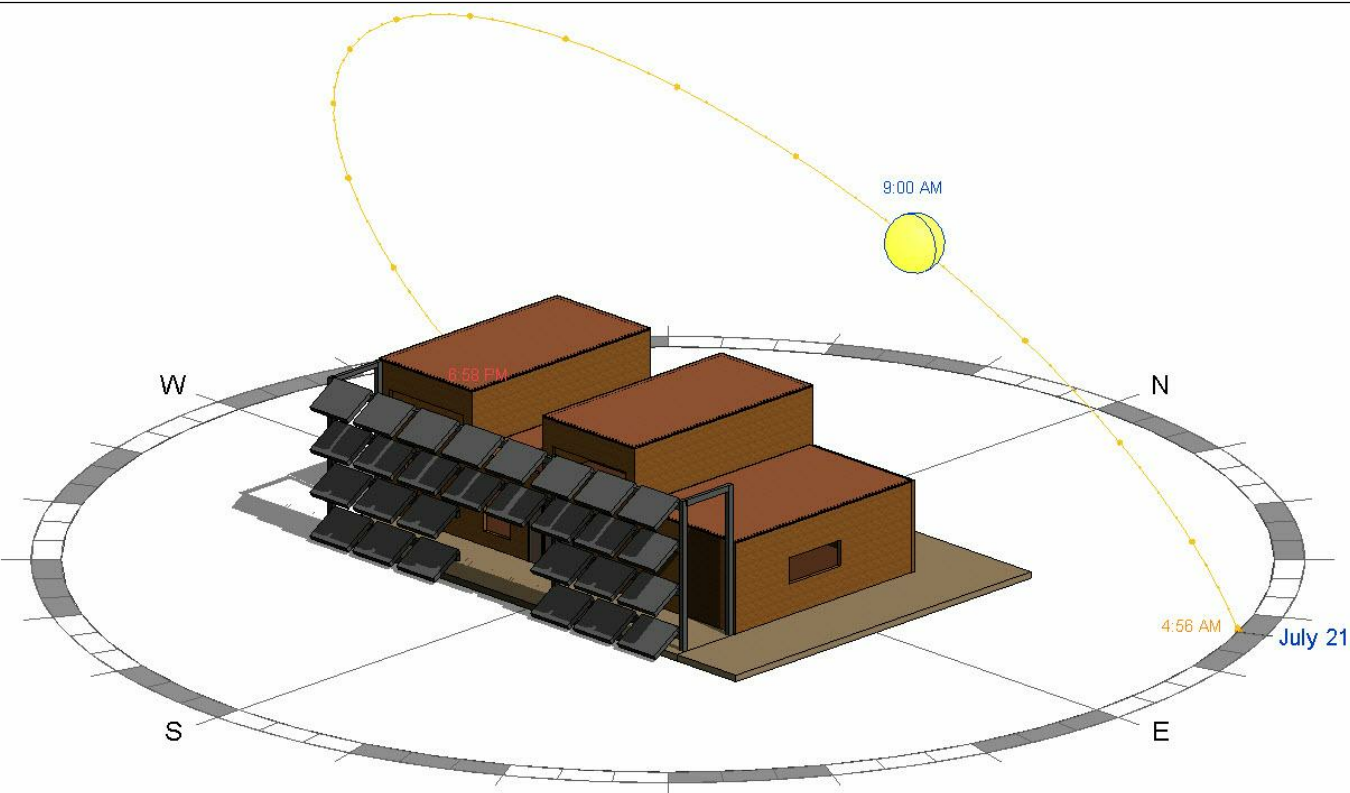
@ 9 AM
@ 12 PM
@ 3 PM

Notes:

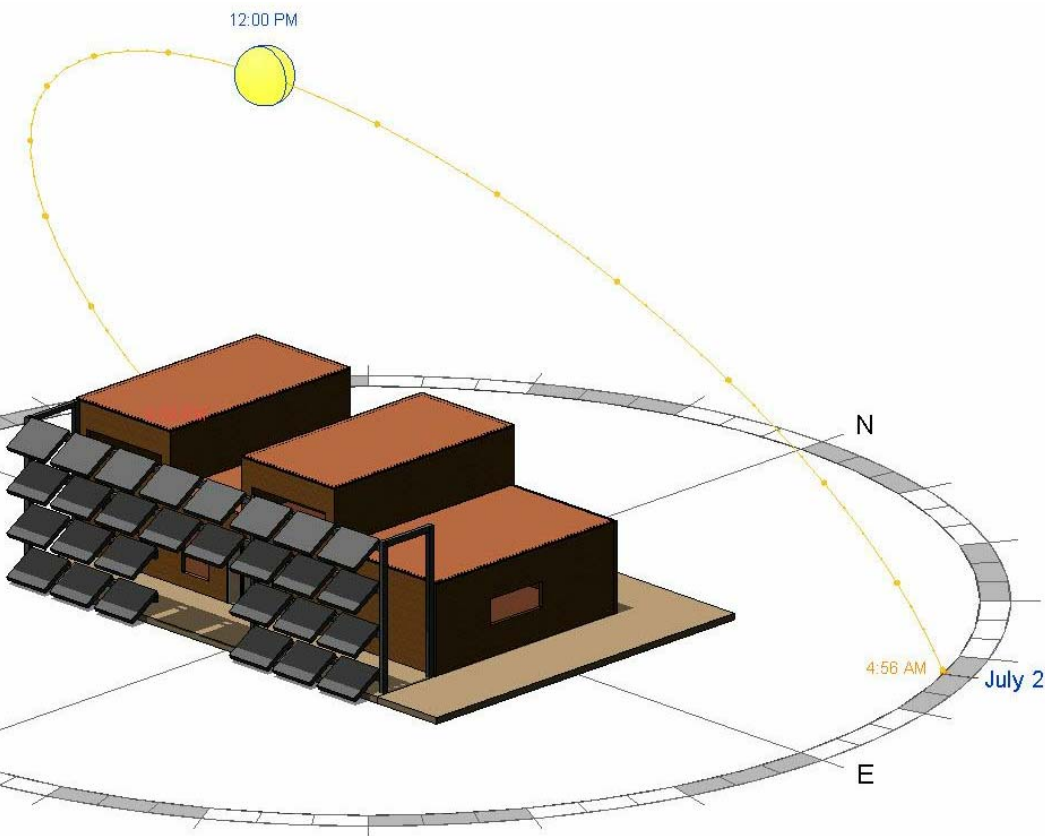
SHEET

A-103.2

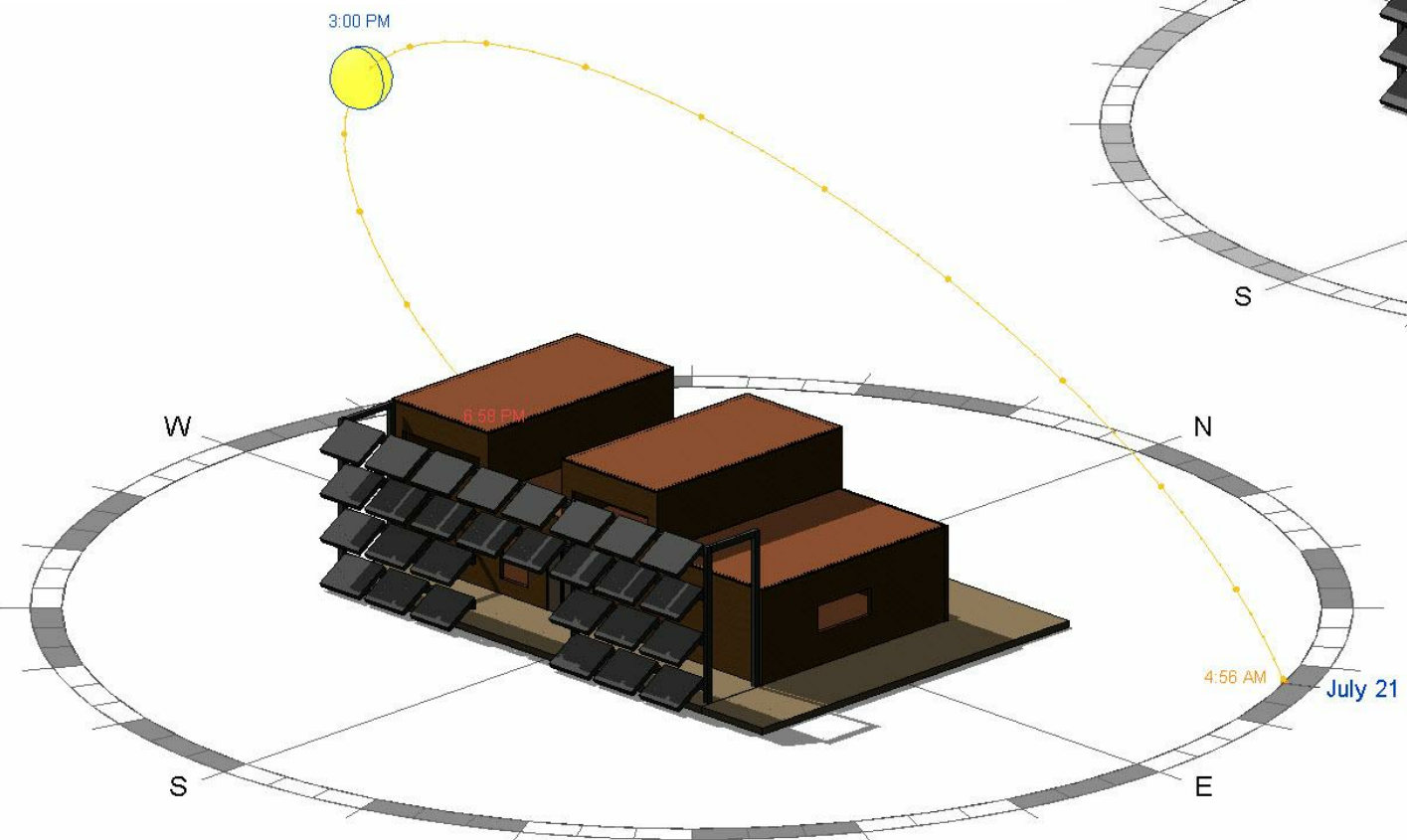
Scale



SUMMER SOLISTICE @ 9 AM



SUMMER SOLISTICE @ 12 PM



SUMMER SOLISTICE @ 3 PM

PATRICIA PAREDES

NYC College of Technology
300 JAY STREET
BROOKLYN, NY 11201
347-653-6003

pparedes92@gmail.com

ARCH 3630
Advance Detailing Studio

Prof. Aptekar
Prof. Azaroff

SUMMER SOLISTICE
SUN ANGLES

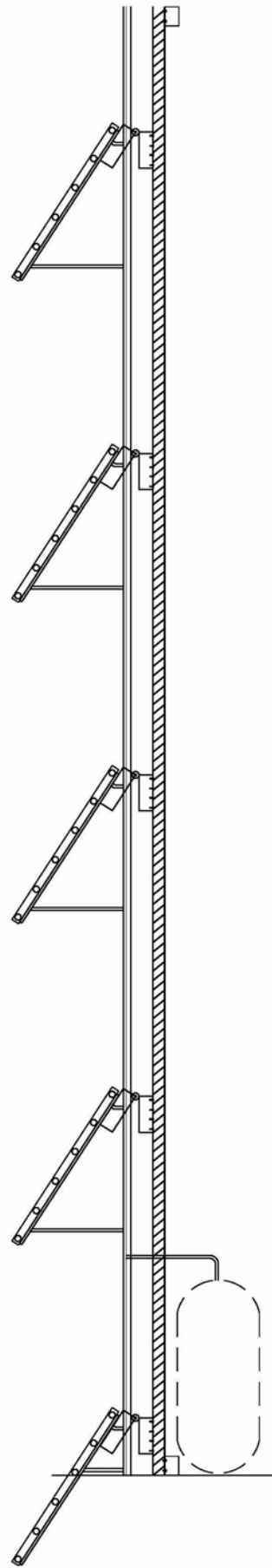
@ 9 AM
@ 12 PM
@ 3 PM

Notes:

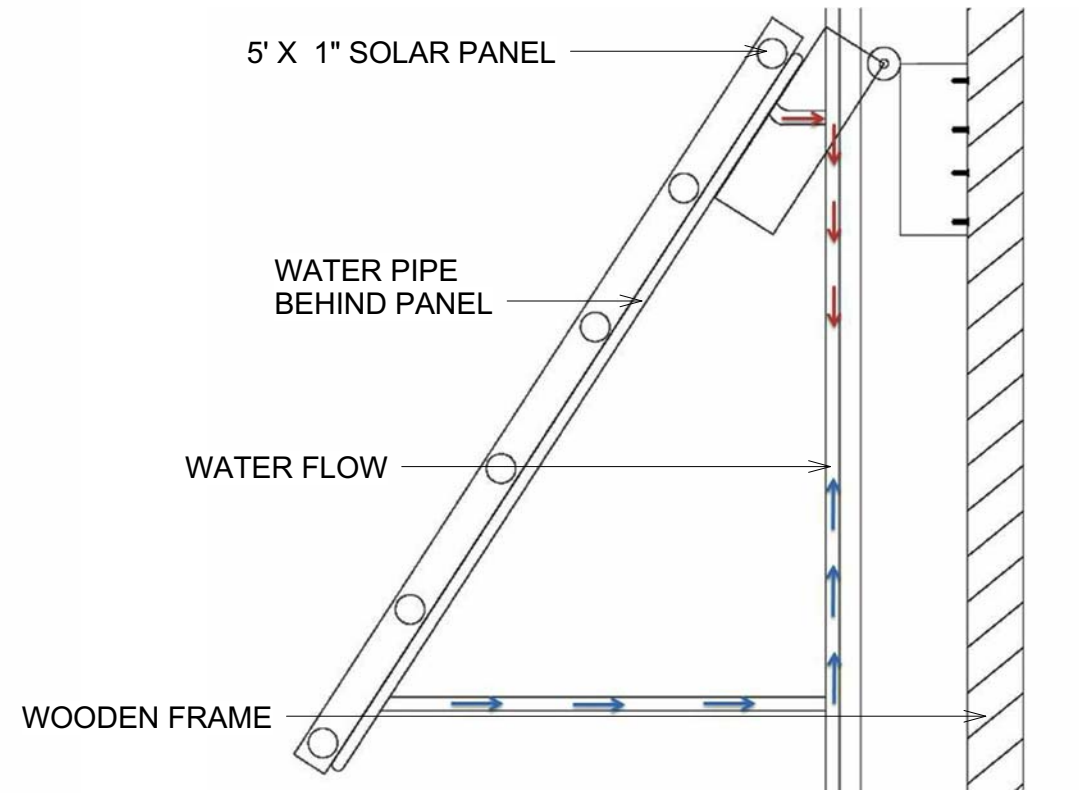
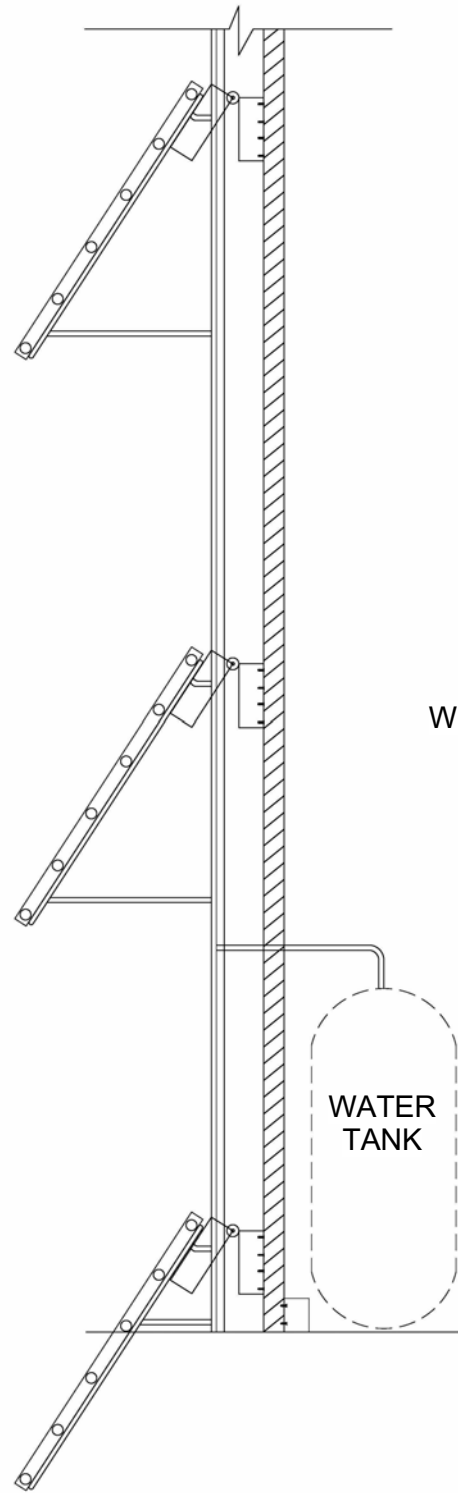
SHEET

A-103.3

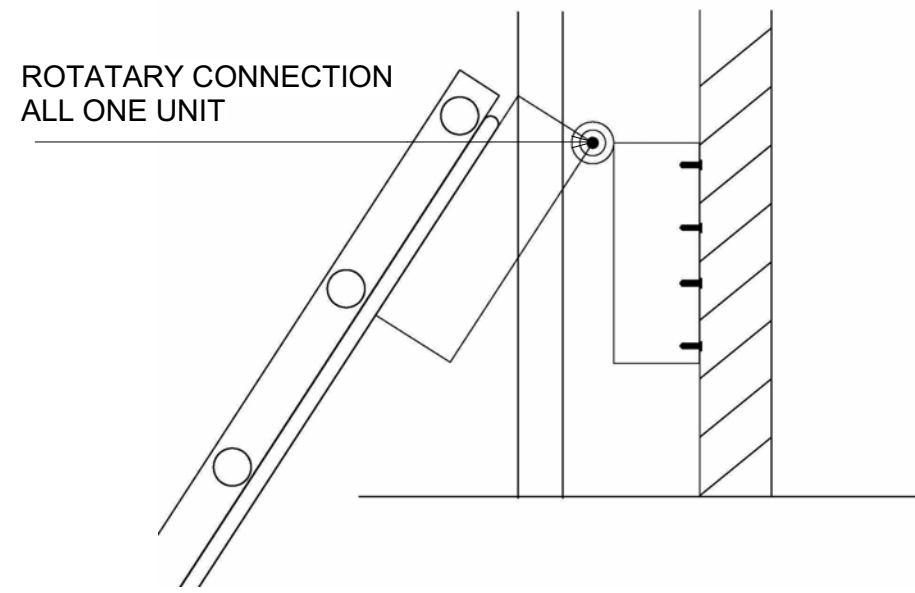
Scale



○ WATER PIPE FLOW DETAIL
SCALE: 1/4" = 1'-0"



○ WATER PIPE FLOW DETAIL HOT/COLD
SCALE: 1/4" = 1'-0"



○ ROTATARY PANEL CONNECTION
SCALE: 1/4" = 1'-0"

PATRICIA PAREDES
 NYC College of Technology
 300 JAY STREET
 BROOKLYN, NY 11201
 347-653-6003
 pparedes92@gmail.com

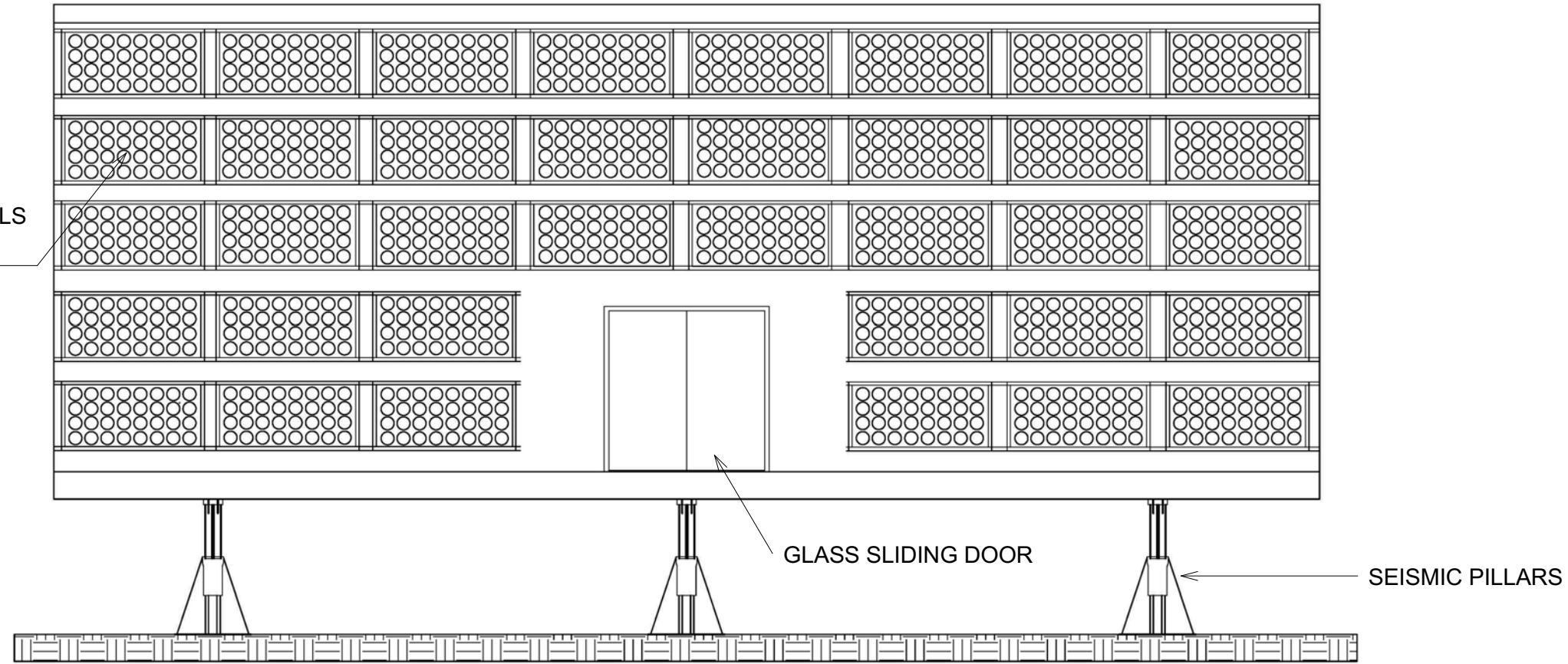
ARCH 3630
 Advance Detailing Studio
 Prof. Aptekar
 Prof. Azaroff

SOLAR PANEL-WATER
 PIPE DETAIL
 SOLAR PANEL
 ROTATRY
 CONNECTION

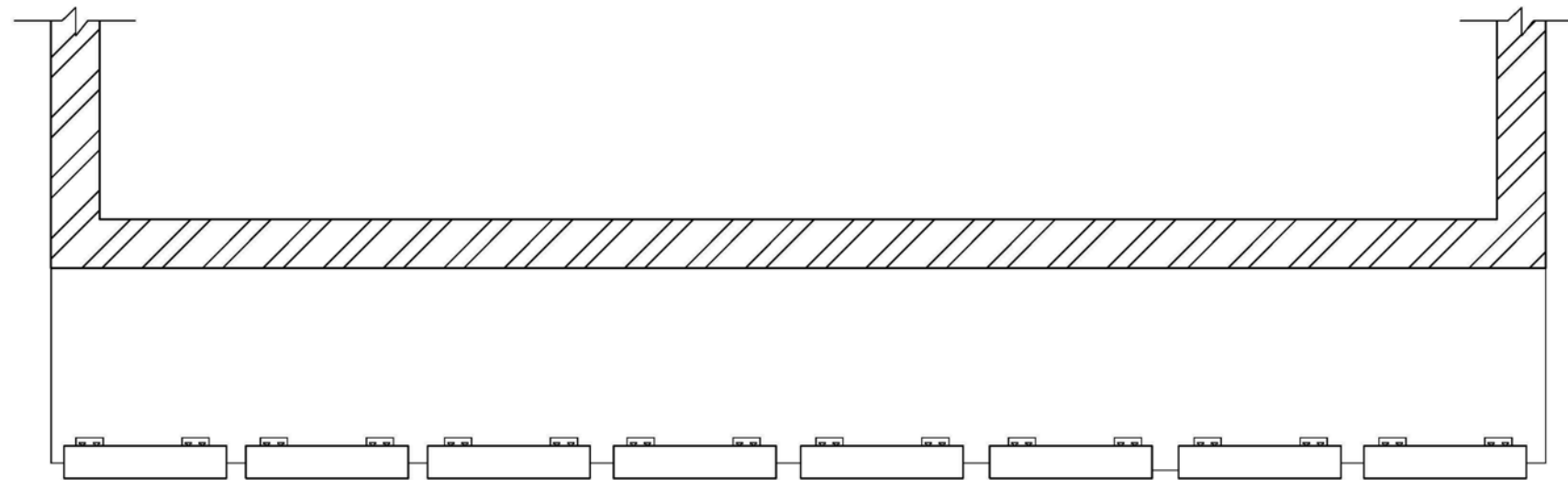
Notes:

SHEET
A-104
 Scale 1/4" = 1'-0"

2' X 5' SOLAR PANELS
@ 1" THICKNESS



○ SOUTH FACADE-SOLAR PANELS LAYOUT
SCALE: 1/4" = 1'-0"



○ PLAN VIEW
SCALE: 1/4" = 1'-0"

PATRICIA PAREDES

NYC College of Technology
300 JAY STREET
BROOKLYN, NY 11201
347-653-6003

pparedes92@gmail.com

ARCH 3630
Advance Detailing Studio

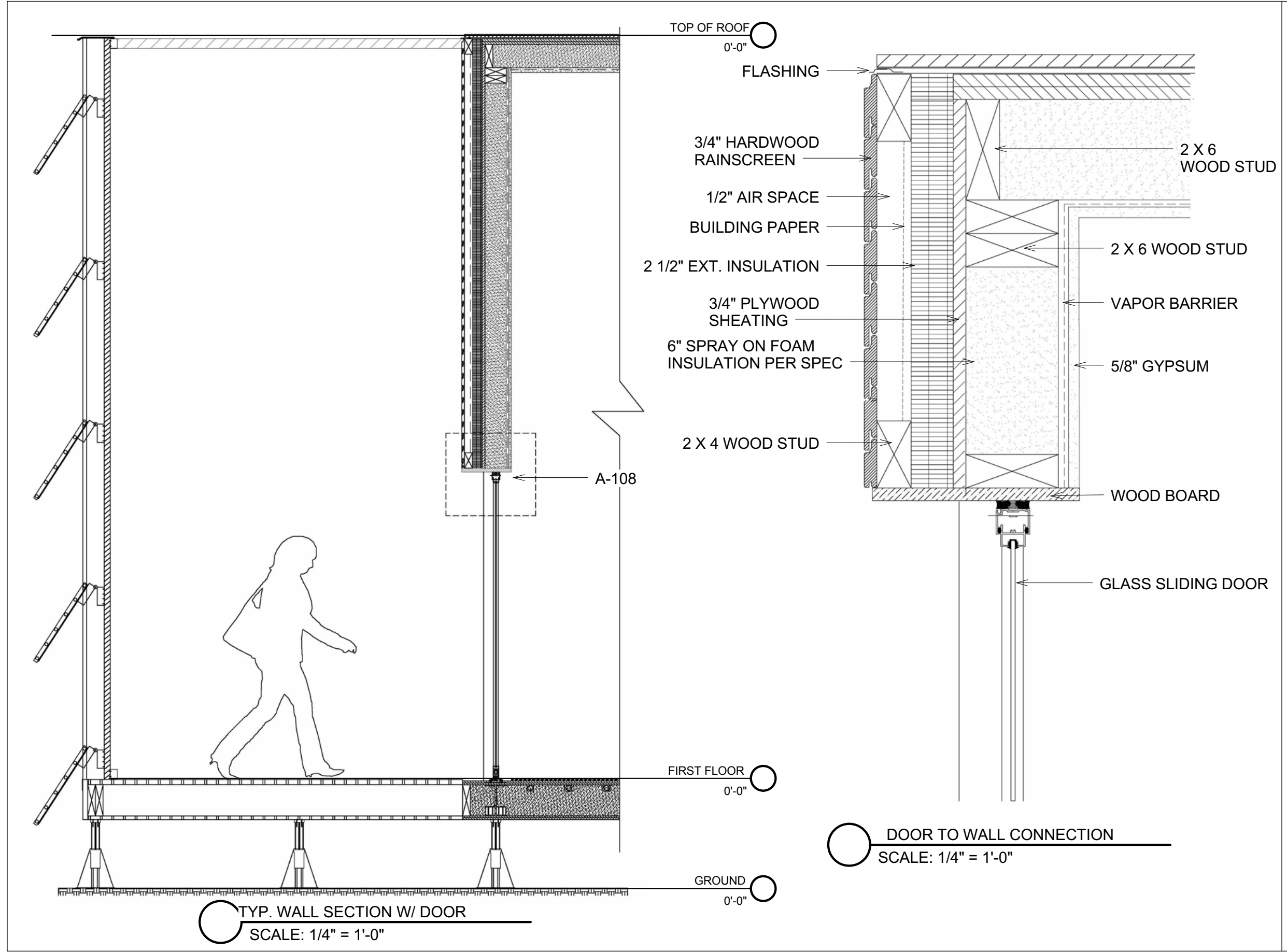
Prof. Aptekar
Prof. Azaroff

Notes:

SHEET

A-105

Scale 1/4" = 1'-0"

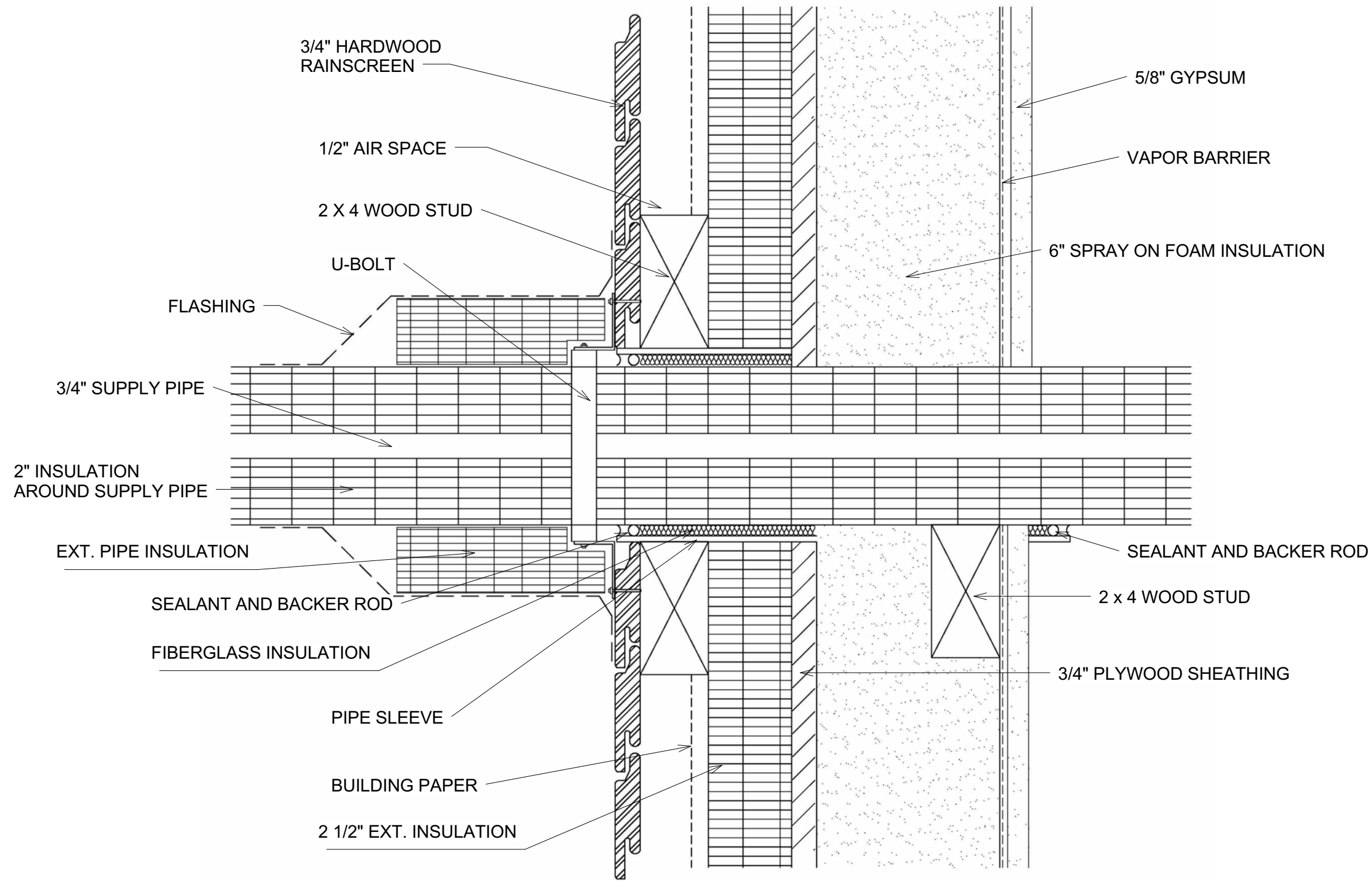



PATRICIA PAREDES
 NYC College of Technology
 300 JAY STREET
 BROOKLYN, NY 11201
 347-653-6003
 pparedes92@gmail.com

ARCH 3630
 Advance Detailing Studio
 Prof. Aptekar
 Prof. Azaroff

Notes:

SHEET
A-106
 Scale 1/4" = 1'-0"




PIPE PENETRATION DETAIL
 SCALE: 1/4" = 1'-0"

PATRICIA PAREDES

NYC College of Technology
 300 JAY STREET
 BROOKLYN, NY 11201
 347-653-6003

pparedes92@gmail.com

ARCH 3630

Advance Detailing Studio

Prof. Aptekar

Prof. Azaroff

**PIPE PENETRATE TO WALL
 DETAIL**

Notes:

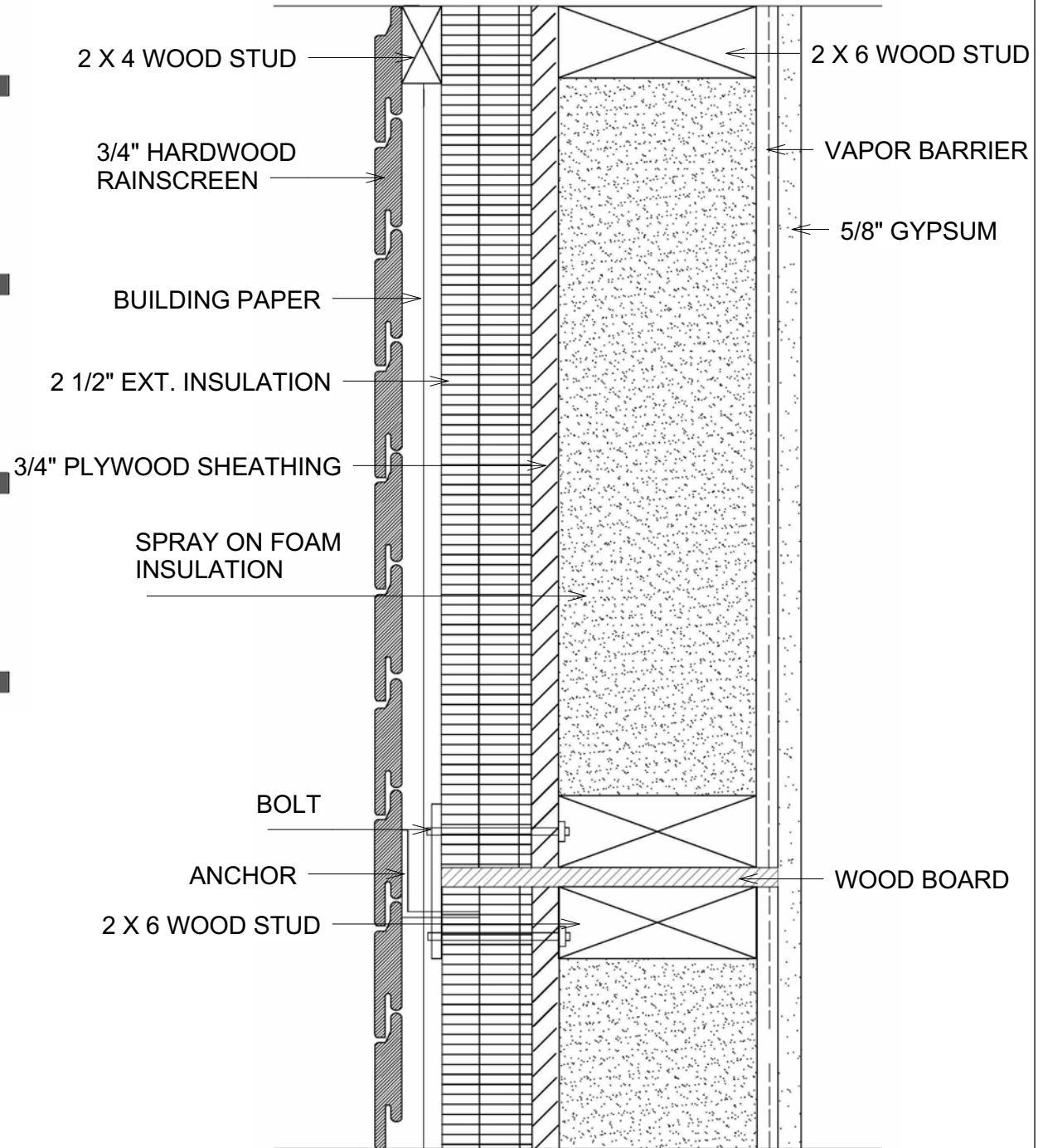
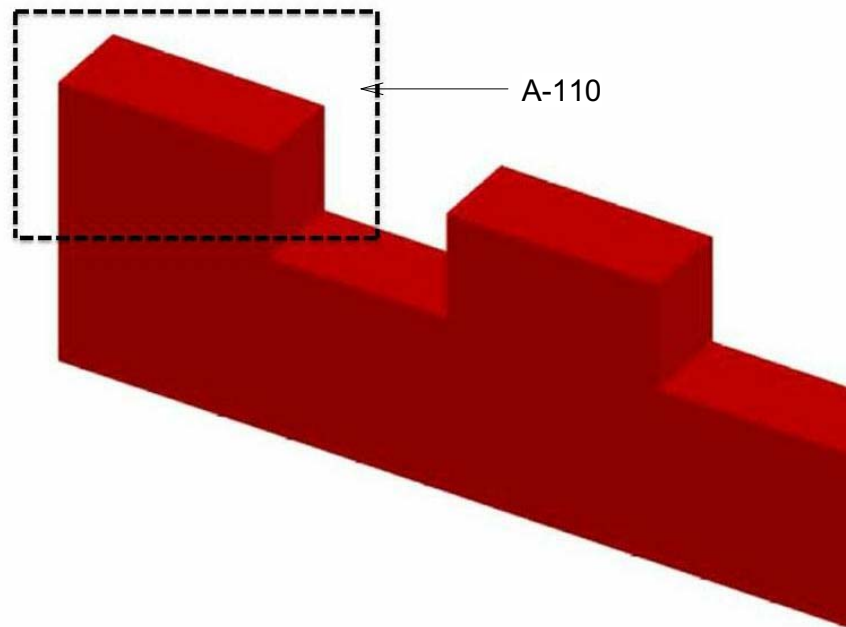
SHEET

A-107

Scale 1/4" = 1'-0"



○ MODULAR UNIT STACKING
SCALE: 1/4" = 1'-0"



○ UNIT CONNECTION DETAIL
SCALE: 1/4" = 1'-0"

PATRICIA PAREDES
 NYC College of Technology
 300 JAY STREET
 BROOKLYN, NY 11201
 347-653-6003
 pparedes92@gmail.com

ARCH 3630
 Advance Detailing Studio
 Prof. Aptekar
 Prof. Azaroff

Notes:

SHEET
A-108
 Scale 1/4" = 1'-0"

PATRICIA PAREDES

NYC College of Technology
300 JAY STREET
BROOKLYN, NY 11201
347-653-6003

pparedes92@gmail.com

ARCH 3630
Advance Detailing Studio

Prof. Aptekar
Prof. Azaroff

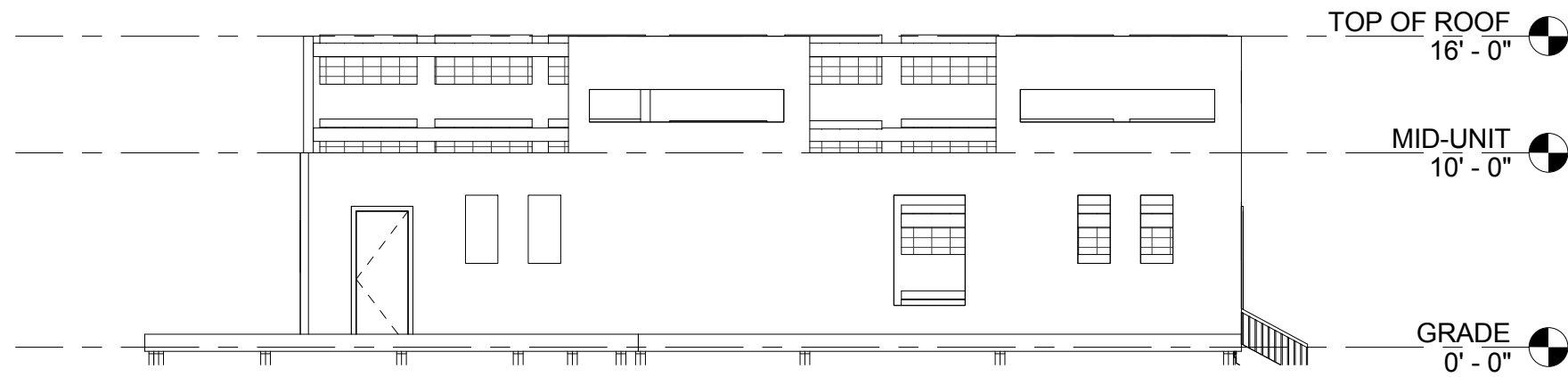
NORTH - EAST
ELEVATION

Notes:

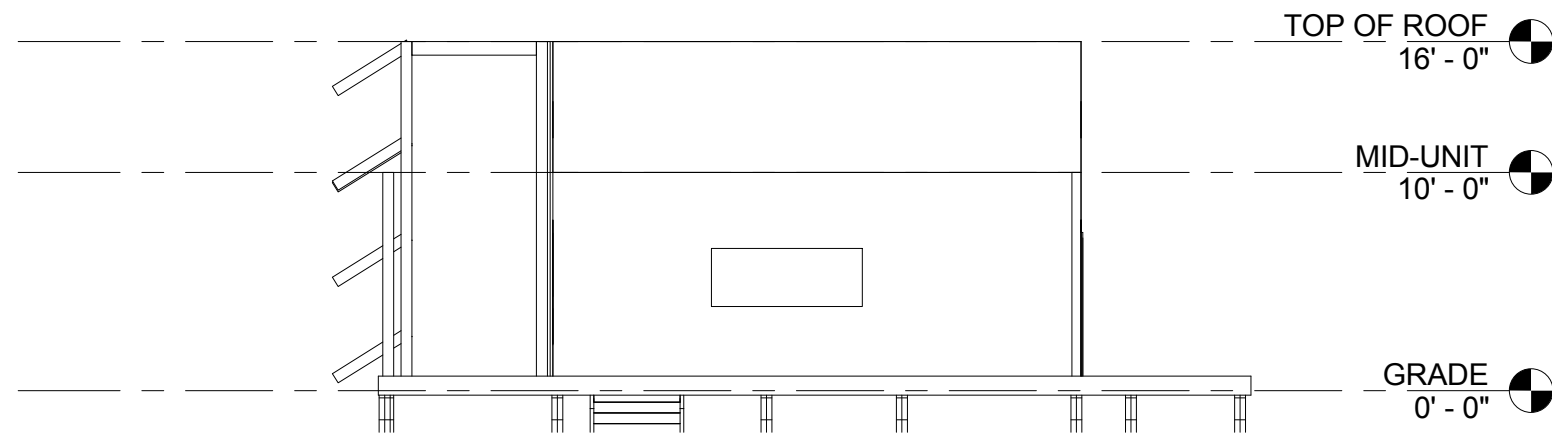
SHEET

A-109

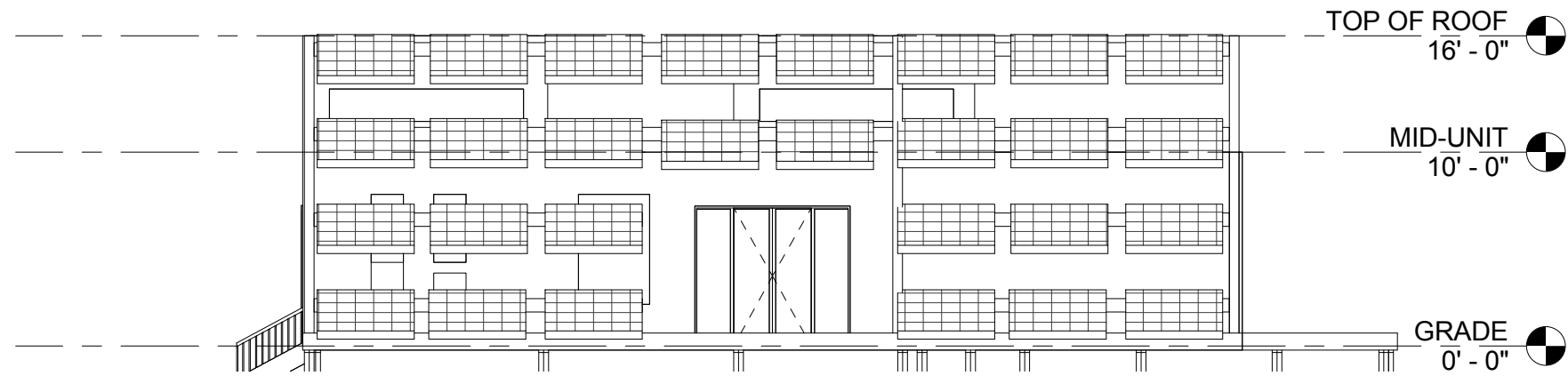
Scale 1/8" = 1'-0"



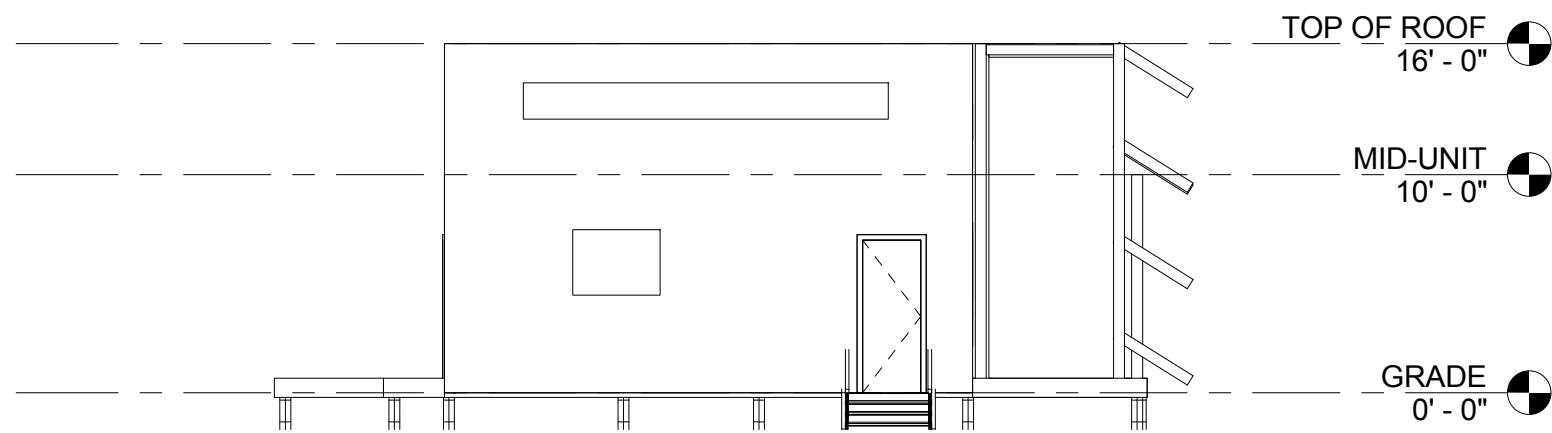
① NORTH ELEVATION
1/8" = 1'-0"



② EAST ELEVATION
1/8" = 1'-0"



① SOUTH ELEVATION
1/8" = 1'-0"



② WEST ELEVATION
1/8" = 1'-0"

PATRICIA PAREDES

NYC College of Technology
300 JAY STREET
BROOKLYN, NY 11201
347-653-6003

pparedes92@gmail.com

ARCH 3630
Advance Detailing Studio

Prof. Aptekar
Prof. Azaroff

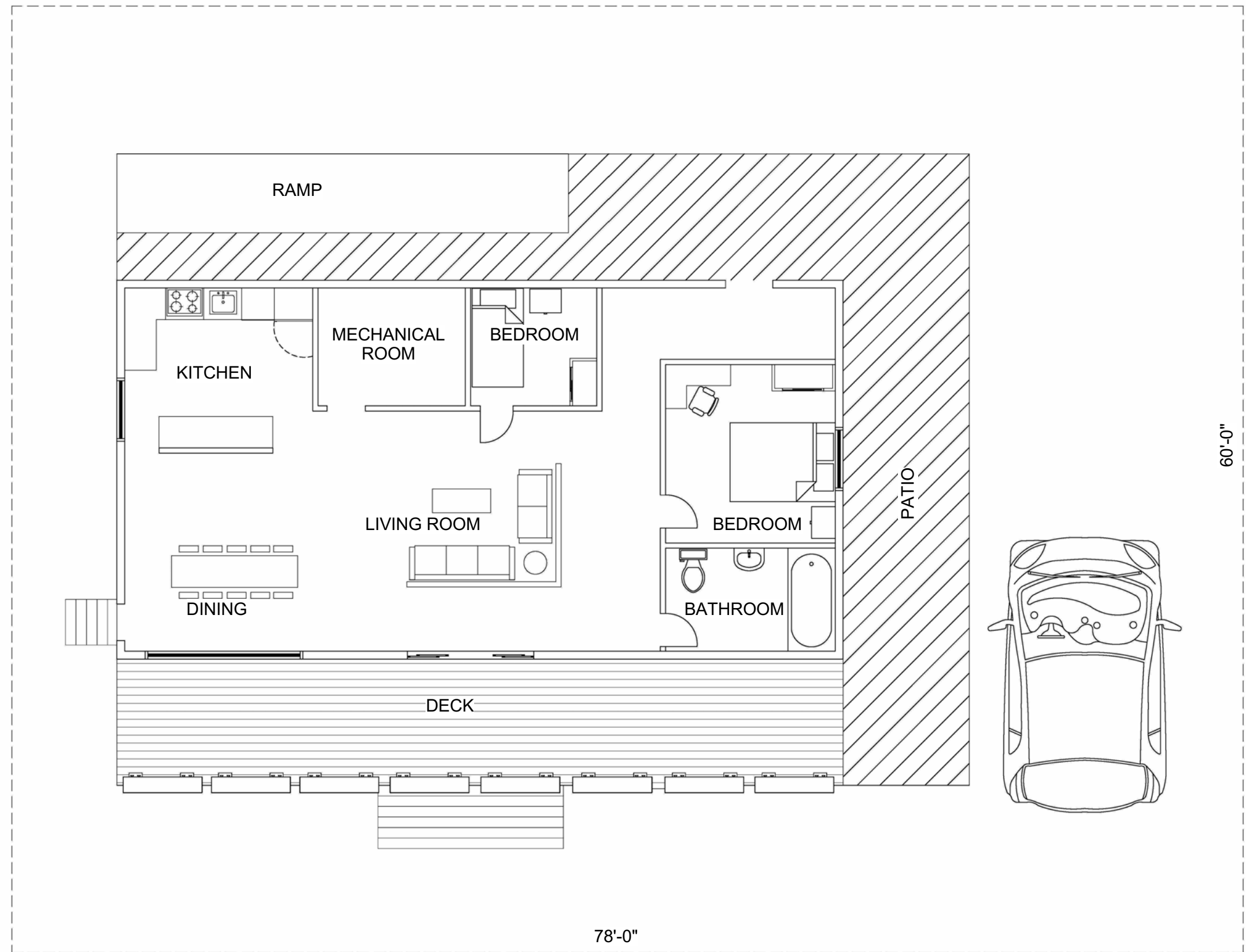
SOUTH-WEST
ELEVATION

Notes:

SHEET

A-109.1

Scale 1/8" = 1'-0"



○ FLOOR PLAN
 SCALE: 1/4" = 1'-0"

PATRICIA PAREDES
 NYC College of Technology
 300 JAY STREET
 BROOKLYN, NY 11201
 347-653-6003
 pparedes92@gmail.com

ARCH 3630
 Advance Detailing Studio
 Prof. Aptekar
 Prof. Azaroff

FLOOR PLAN LAYOUT

Notes:

SHEET

A-110

Scale 1/4" = 1'-0"

PATRICIA PAREDES

NYC College of Technology
300 JAY STREET
BROOKLYN, NY 11201
347-653-6003

pparedes92@gmail.com

ARCH 3630
Advance Detailing Studio

Prof. Aptekar
Prof. Azaroff

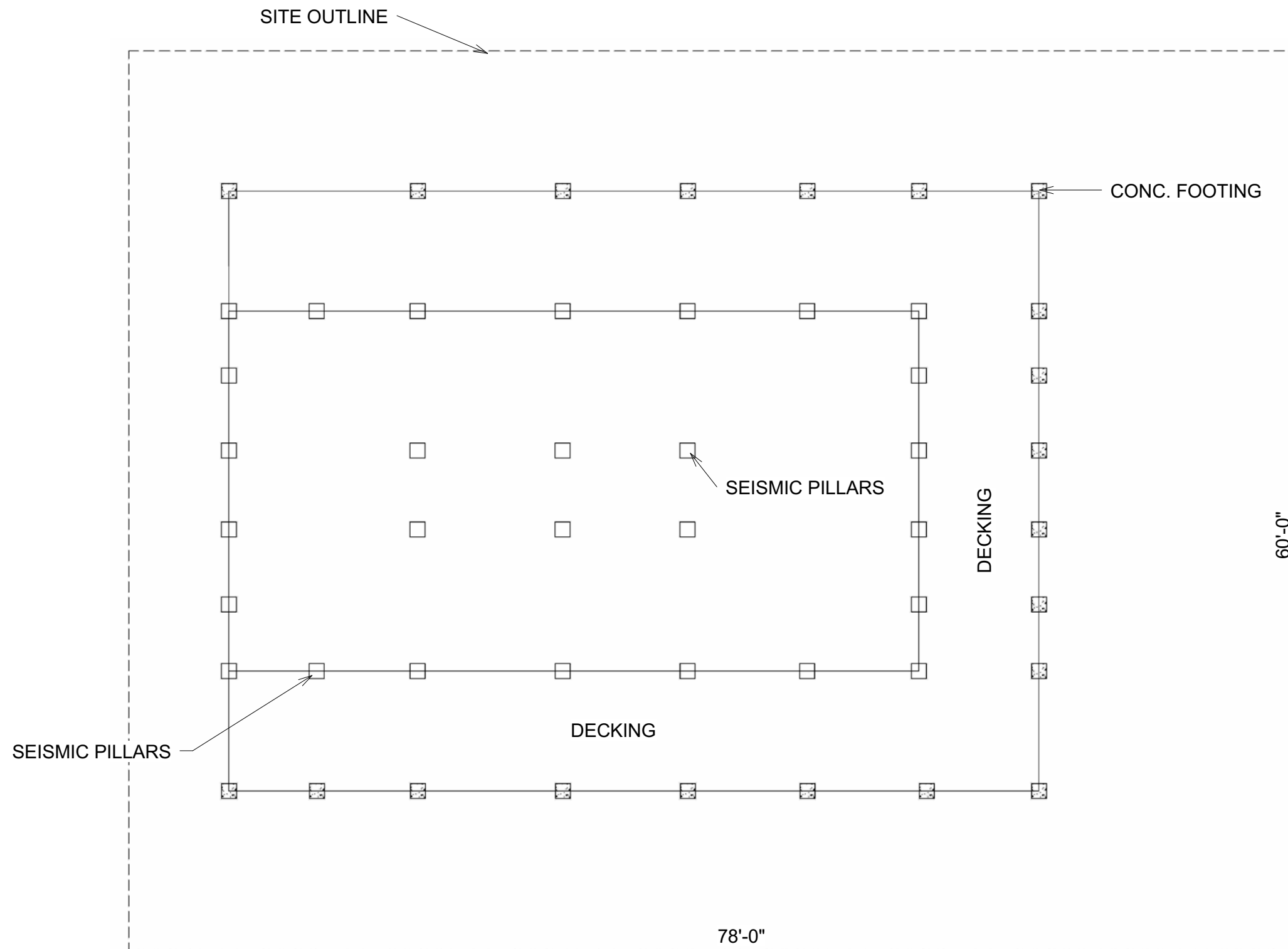
**STRUCTURAL FOOTING
LAYOUT**

Notes:

SHEET

A-111

Scale 1/4" = 1'-0"



STRUCTURAL FOOTING LAYOUT
SCALE: 1/4" = 1'-0"



○ PHYSICAL MODEL-WALL SECTION
SCALE: 1" = 1'-0"



○ MODEL WALL SECTION DETAIL
SCALE: 1" = 1'-0"



○ MODEL WINDOW AND EXT. FACADE
SCALE: 1/4" = 1'-0"

PATRICIA PAREDES
 NYC College of Technology
 300 JAY STREET
 BROOKLYN, NY 11201
 347-653-6003
 pparedes92@gmail.com

ARCH 3630
 Advance Detailing Studio
 Prof. Aptekar
 Prof. Azaroff

FINAL MODEL
 PICTURES

Notes:

SHEET
A-112
 Scale