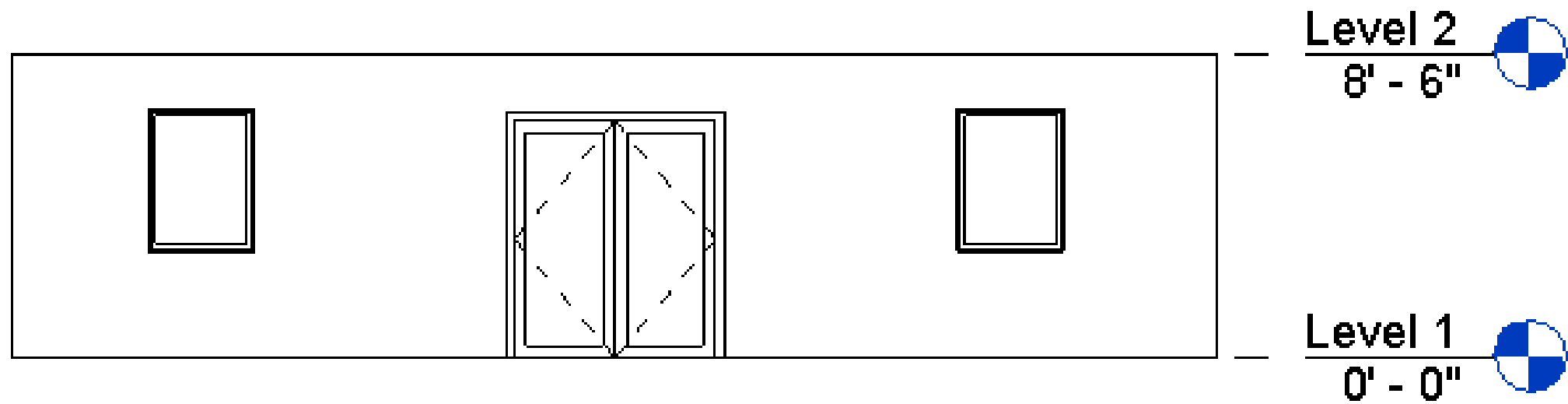
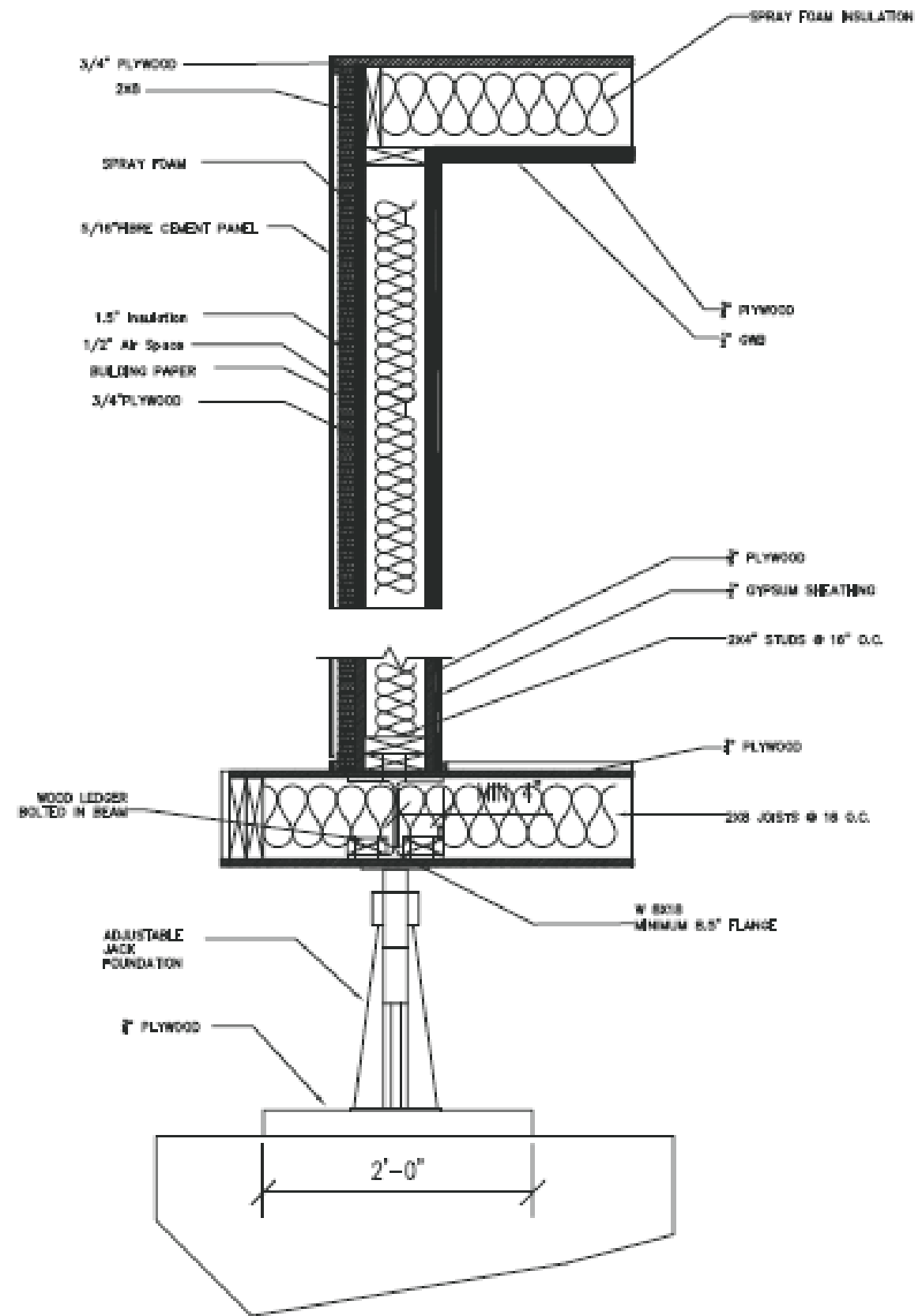
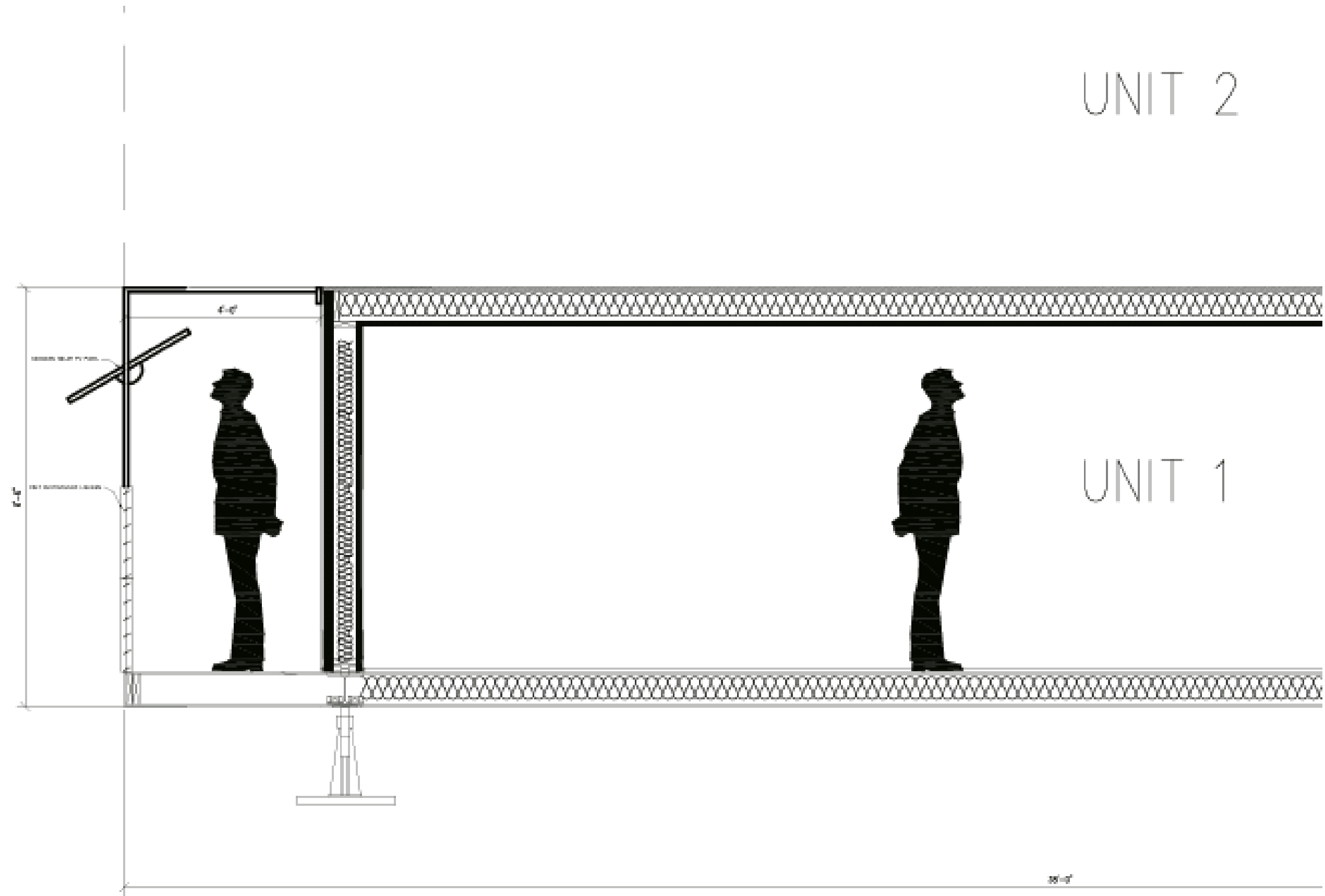


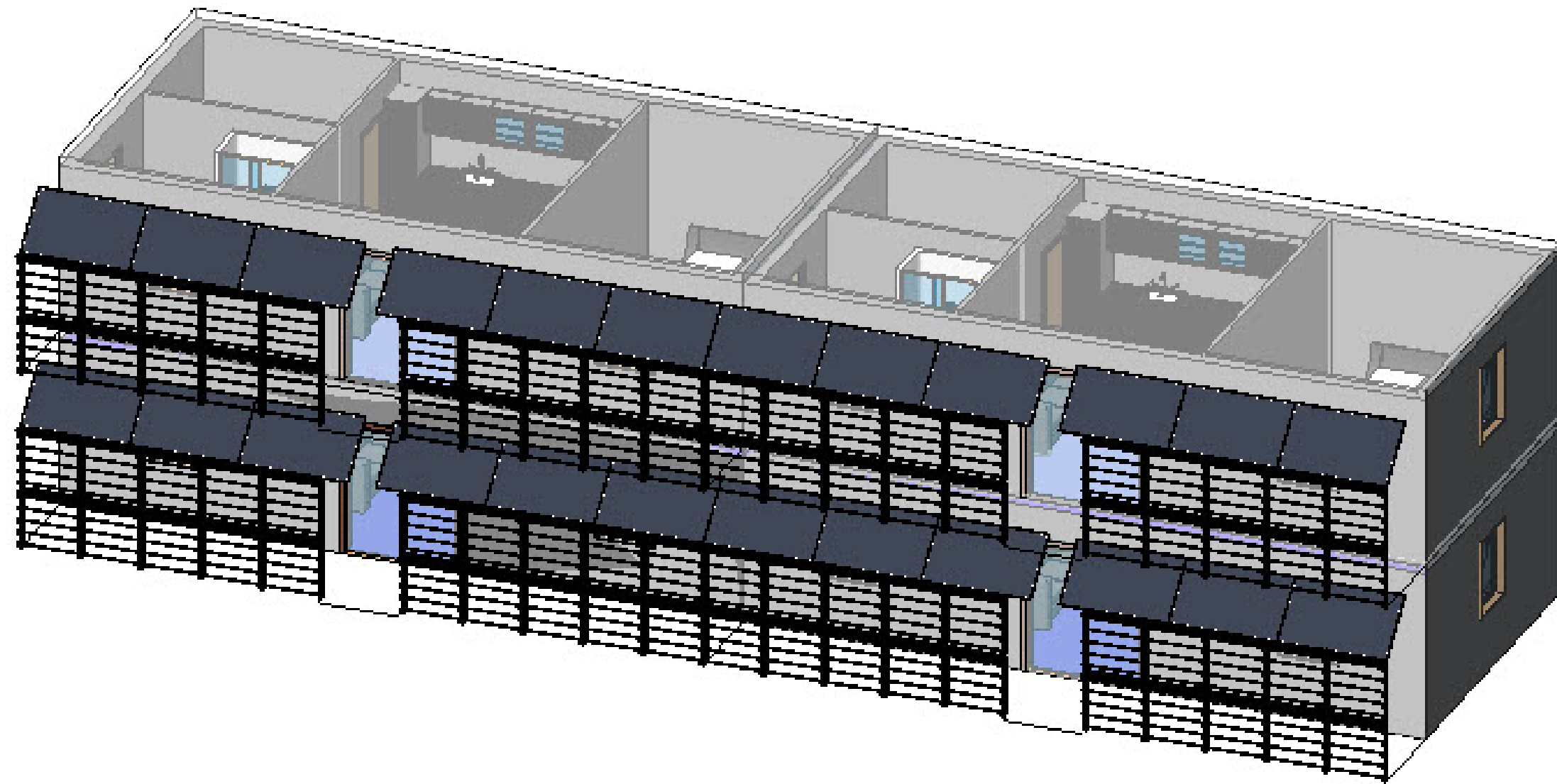
South Façade Elevation

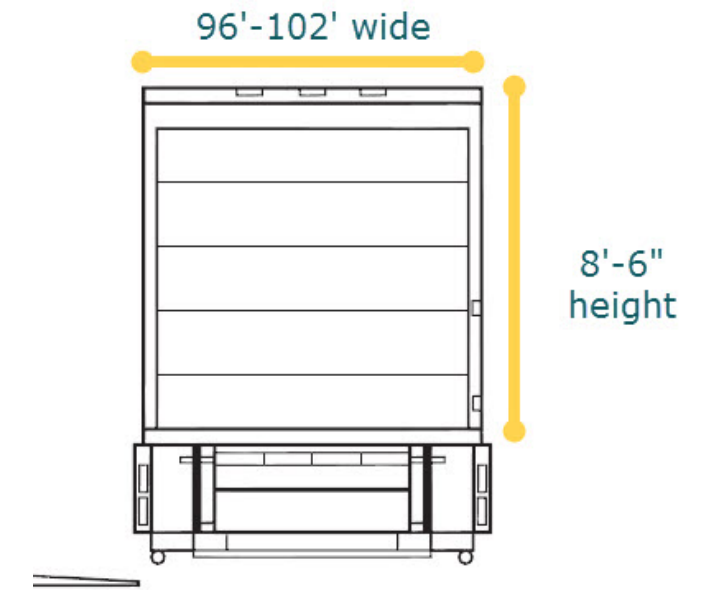
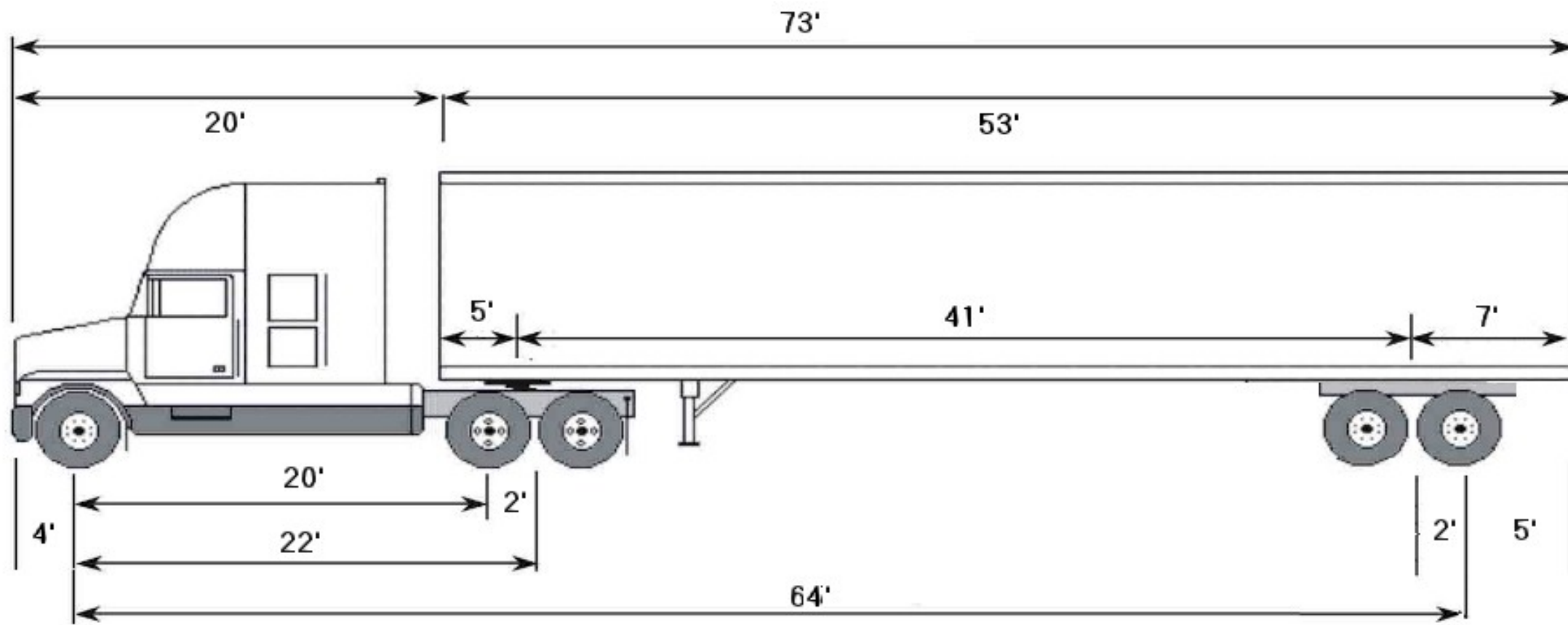


Back Wall Elevation









8'-6"



← UNIT

38'-0"