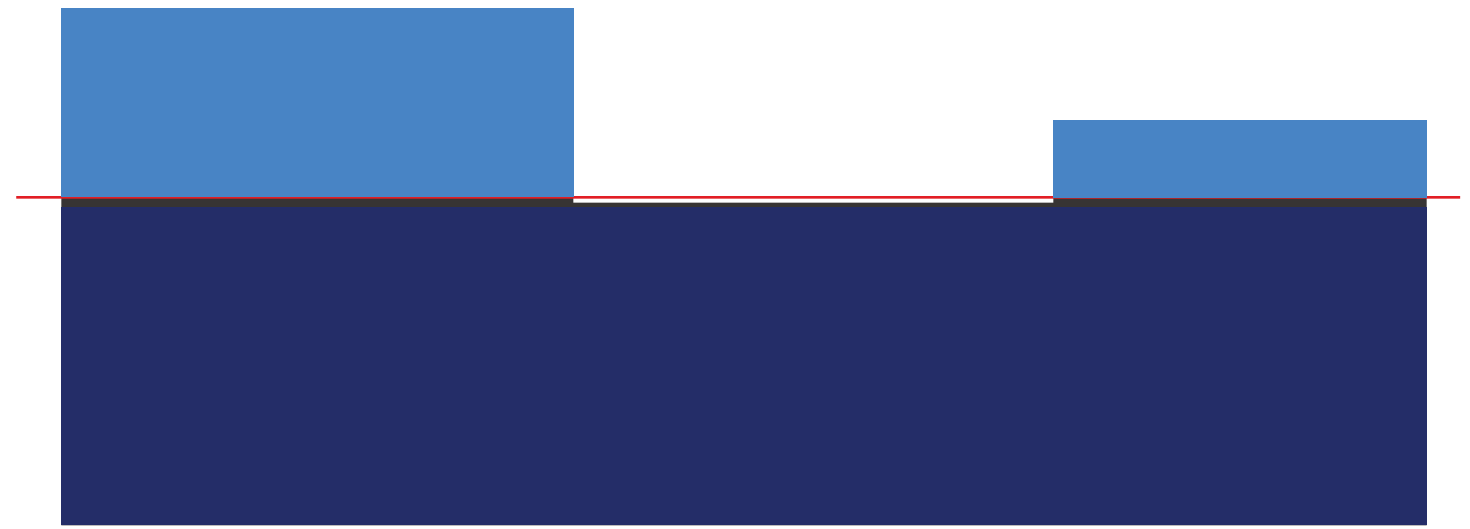


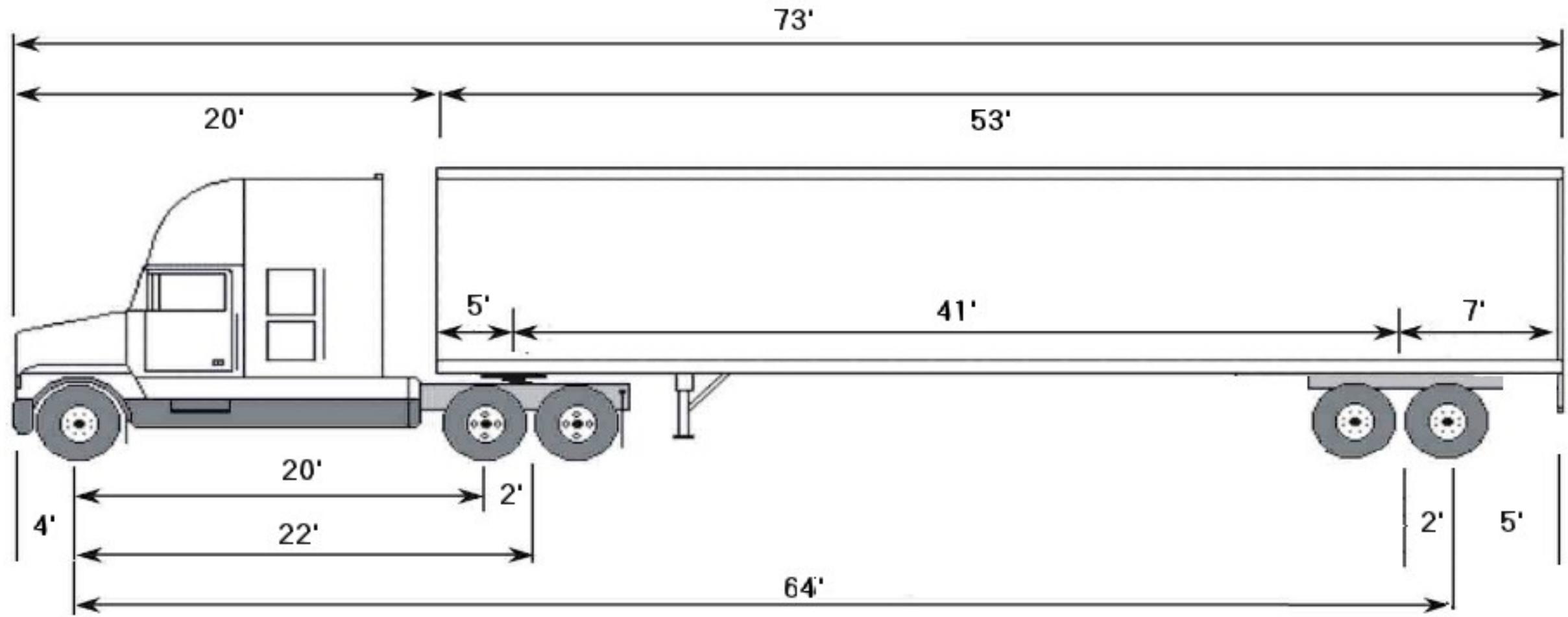


MODULE PLAN VIEW

- TRUCK 1
- TRUCK 2
- TRUCK 3
- TRUCK 4



MODULE ELEVATION VIEW



HARDWARE WILL BE FIT IN THE FIRST TRUCK. EXTRA MATERIALS WILL BE STORE HERE AS WELL.

WE WOULD NEED A TOTAL OF 4 TRUCKS TO FIT THE ENTIRE MODULE.

DOUBLE FRAMING ON ALL CONNECTIONS.

Sterling M. Adames  
 Advanced Detailing Studio  
 ARCH 3630  
 Prof. A. Aptekar