

**Canadian Solar MaxPower
CS6X-305P 305W Poly
SLV/WHT 1000V Solar Panel**

General Information

Manufacturer: [Canadian Solar](#)

Model ID/Number: CS6X-305P

Product Line: CS6X

Made in:

Safety Ratings & Certifications:

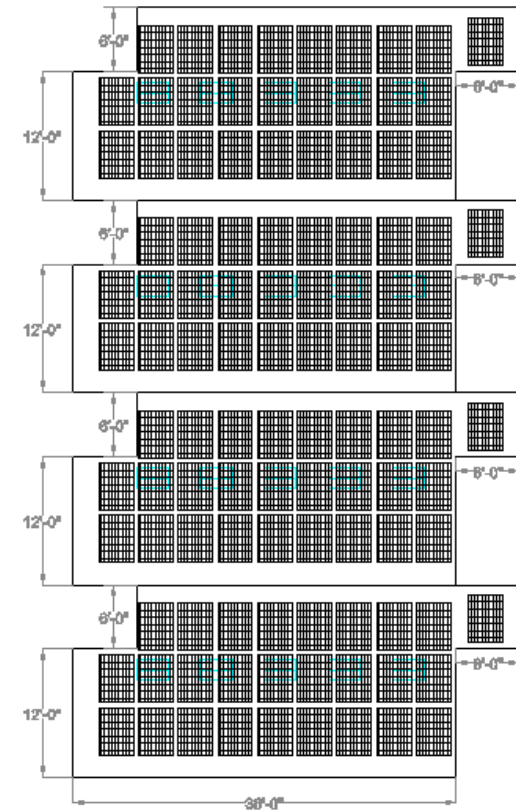
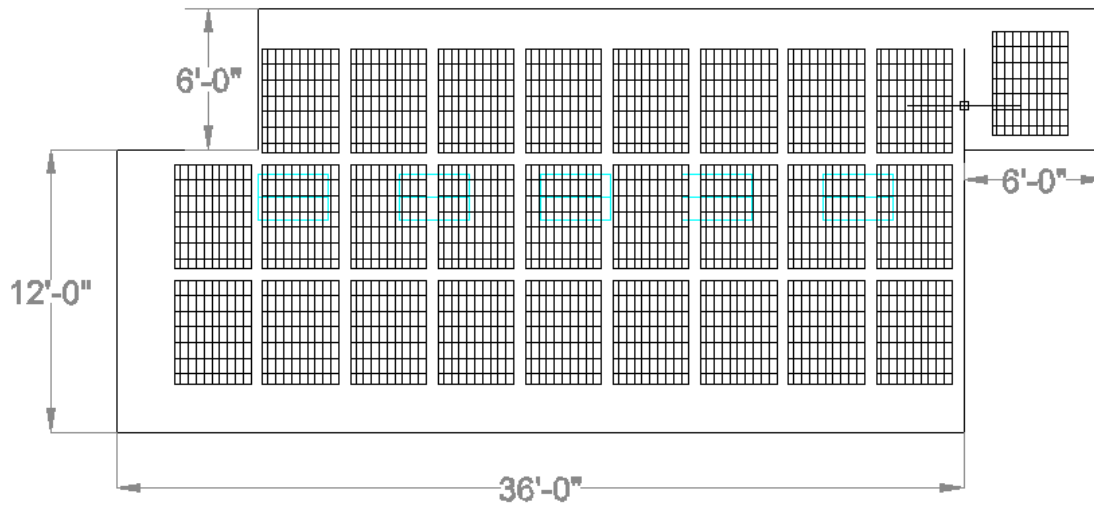
CivicSolar Part #: cs-97041 Manufacturer Part #: CS6X-305P Manufacturer: Canadian Solar Product Category: Solar Panels	<i>All prices are in US Dollars</i>		
	Qty	Unit Price	Extended Price
	24	\$291.78	\$7,002.72

<p style="text-align: center;">Assignment 5: Interlocking Façade and Solar Panels</p> <p>New York City College of Technology</p> <p>Prof. Aptekar</p>	<p>Michelle Yang</p> <p>ARCH 3630- Advanced Detailing Studio</p> <p>Date: 02-17-2014</p>
---	--

Solar Panels Arrangement:

Units 1: 27 Panels Units 3: 27 Panels

Units 2: 27 Panels Units 4: 27 Panels



SOUTH ELEVATION

Assignment 5: Interlocking Façade and Solar Panels

New York City College of Technology

Prof. Aptekar

Michelle Yang

ARCH 3630- Advanced Detailing
Studio

Date: 02-17-2014

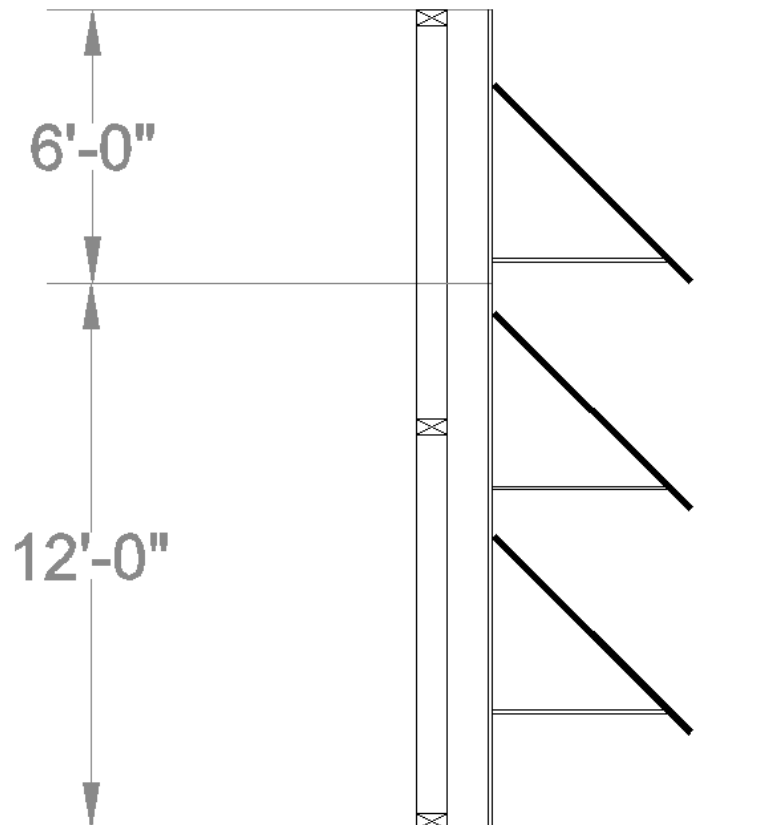
Mechanical Data & Components

Technology:	Poly
Panel Dimensions:	76.93 × 38.7 × 1.57 inches
Panel Weight:	48.5 pounds
Cells Per Module:	72
Frame Material:	Clear aluminum
Module Connector:	MC4

Electrical Characteristics

System Rating:	305 Watts
Watts (PTC):	275 Watts
Max Power Voltage (Vmpp):	36.3 Volts
Max Power Current (Impp):	8.41 Amps
Open Circuit Voltage (Voc):	44.8 Volts
Short Circuit Current (Isc):	8.97 Amps
Max System Voltage:	1000 Volts
Series Fuse Rating:	15Amps
Module Efficiency:	15.9%

Section:



Assignment 5: Interlocking Façade and Solar Panels

New York City College of Technology

Prof. Aptekar

Michelle Yang

ARCH 3630- Advanced Detailing
Studio

Date: 02-17-2014