

WALL SECTION  
SCALE: 1/2"=1'0"

SHEET

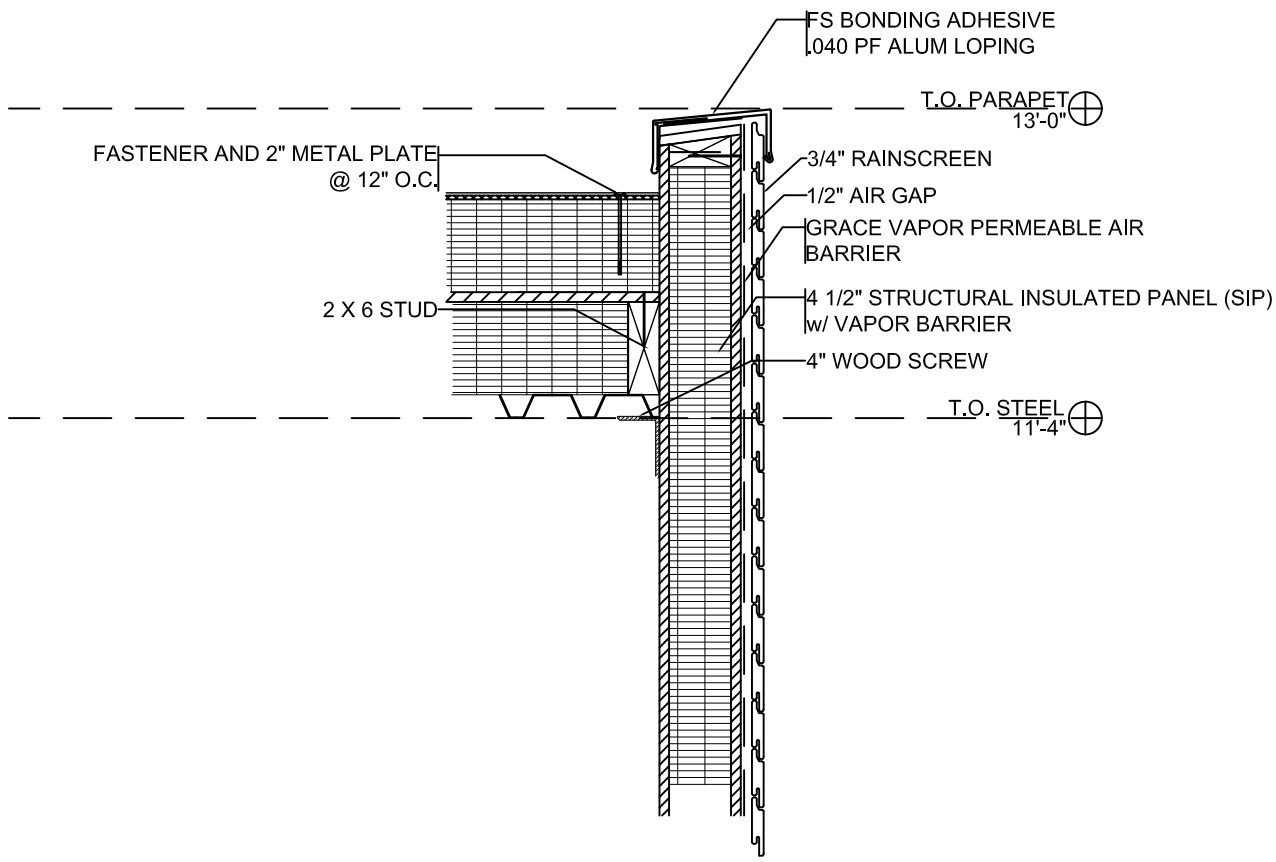
A100

Project number	01	Scale
Date	02/10/14	
Drawn by	P.PAREDES	
Checked by	PROF. APTEKAR	

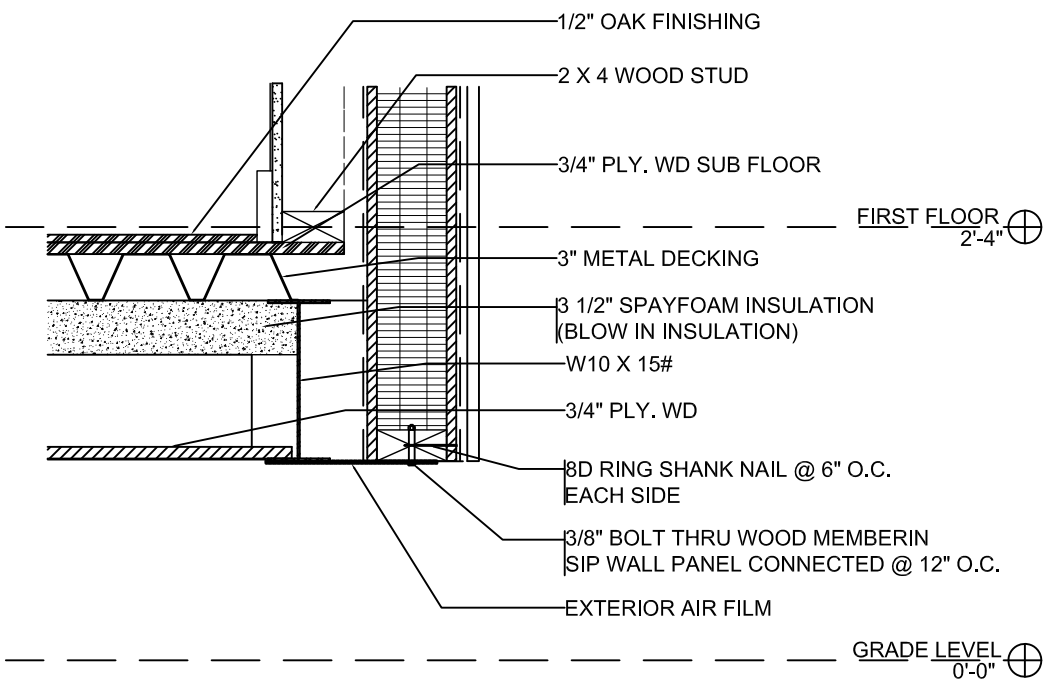
No.	Description	Date

PATRICIA PAREDES  
DC: HARVEST HOUSE





ROOF DETAIL  
SCALE: 1/2"=1'0"



FLOOR DETAIL  
SCALE: 1/2"=1'0"

SHEET

A100

Project number	01
Date	02/10/14
Drawn by	P.PAREDES
Checked by	PROF. APTEKAR
Scale	

No.	Description	Date

PATRICIA PAREDES  
DC: HARVEST HOUSE

